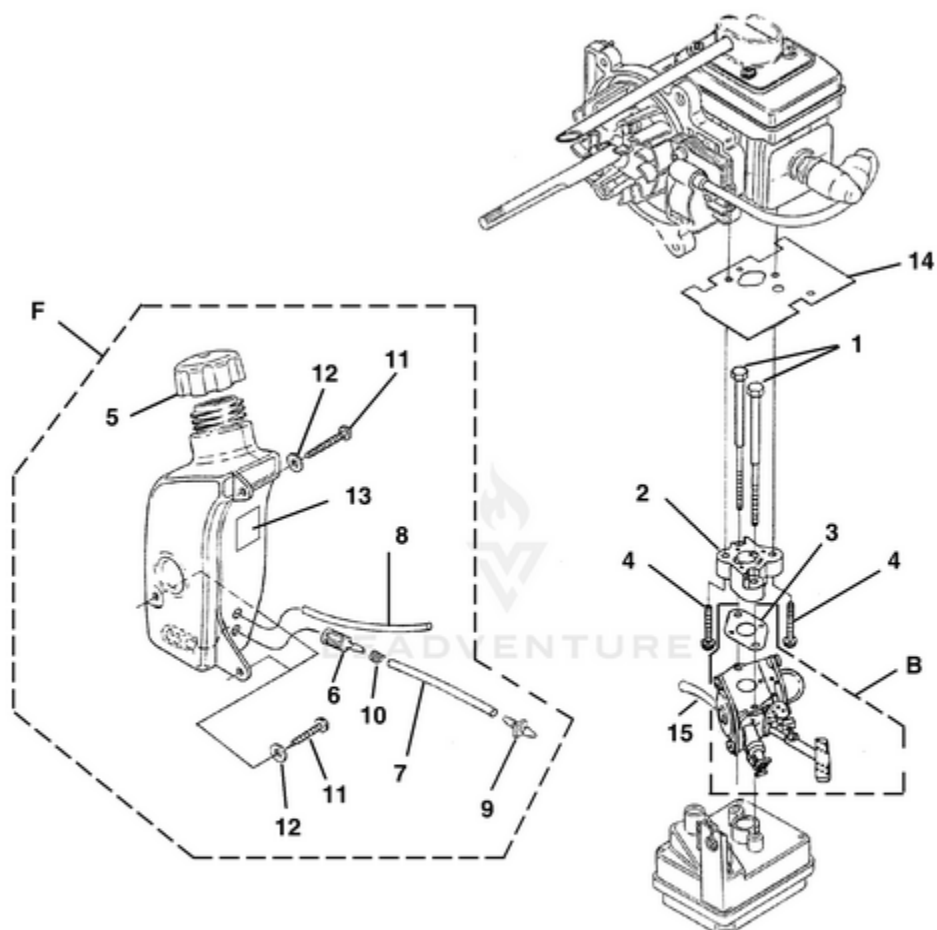


d25mhv Blower UT-08084 - Carburetor - Fuel Tank



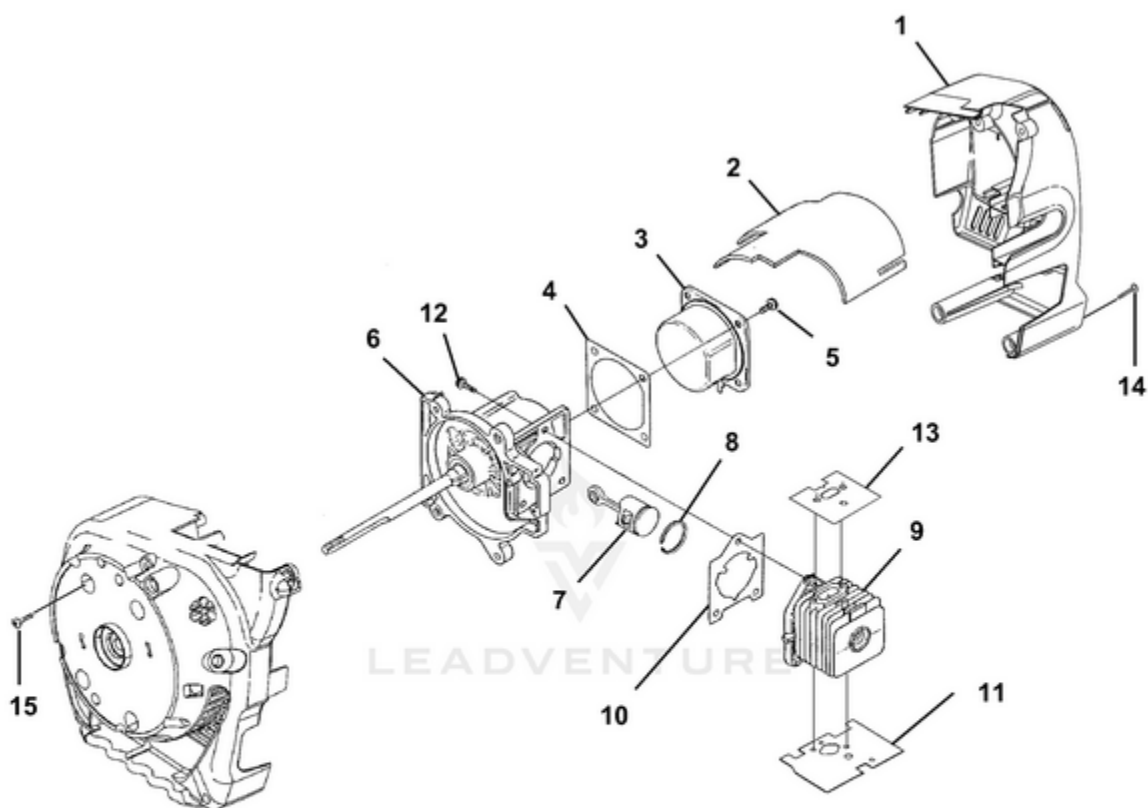
Item No.	Torque Specs		Required Loctite
	in/Lbs	Nm	
1	30-40	3.4-4.5 **	
4	50-60	5.6-6.8	262 Red
11	30-40	3.0-4.0	

** See Torque Specs, page 4 - Item 10

Rendered by LeadVenture, Inc.

Ref #	Part #	Description	Qty	Context Note
1	PS06881	Screw, Machine (10-24 x 2.8)	2	
2	PS04357	Heat Dam	1	
B	UP00608A	Carburetor Kit	1	Includes item 3
3	98766A	Gasket, Carburetor	1	Also included with Cylinder Kit.
4	093221	USE 660662001	2	Also included with Cylinder Kit.
F	UP00495A	Fuel Tank Assy.	1	Includes items 5-13
5	A09116	Fuel Cap	1	
6	PS03380	Fuel Filter	1	
7	9477212	Tubing, Rubber (3")	1	
8	0143920	Tubing, Rubber (5")	1	
9	07332	Fitting, Inlet	1	(small for 2.5mm ID fuel line)
	02067	Fitting, Inlet	1	(large for 3mm ID fuel line)
10	98268	Clamp, Wire	1	
11	82563	Screw, Thread Forming (10-14 x 3/4)	3	
12	12789	Washer	3	
13	08684	Heat Shield	1	
14	06900A	Gasket, Heat Dam	1	Also included with Cylinder Kit.
15	0143920	Tubing, Rubber (5")	1	

d25mhv Blower UT-08084 - Engine Internal

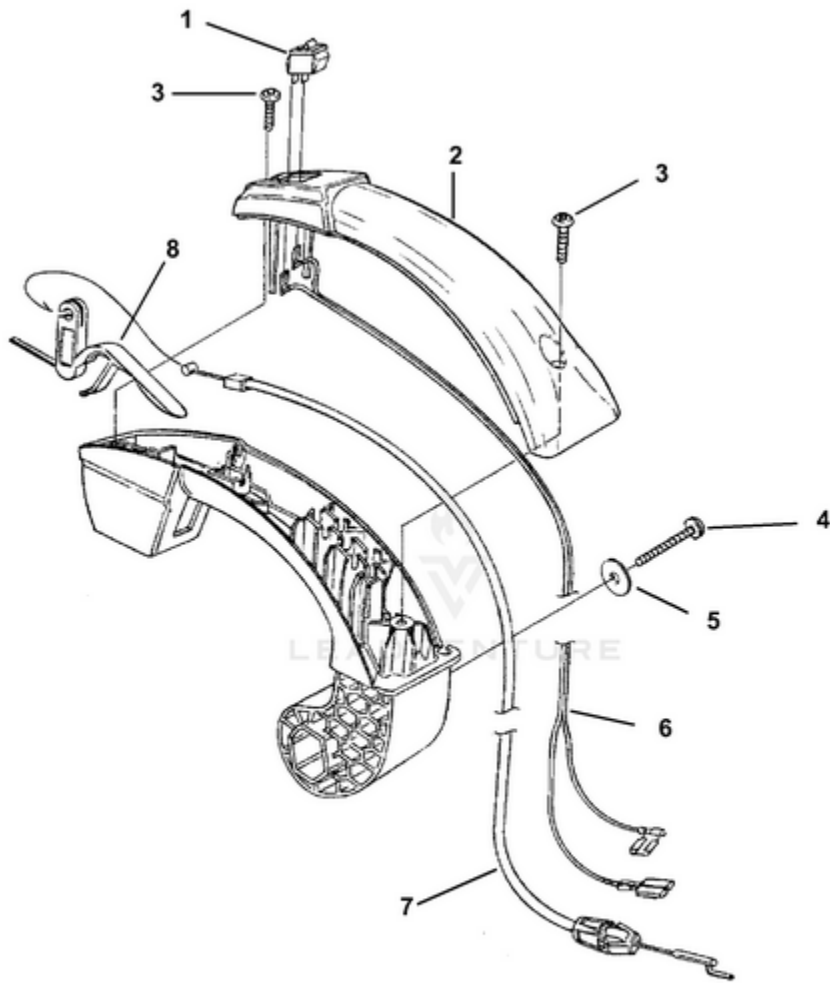


Item No.	Torque Specs		Required Loctite
	In/Lbs	Nm	
5	35-45	4.0-5.1	262 Red
12	55-65	6.2-7.3	262 Red
14	30-40	3.4-4.6	
15	55-60	6.2-6.8	

Rendered by LeadVenture, Inc.

Ref #	Part #	Description	Qty	Context Note
1	UP04314A	Shroud	1	
2	08107B	Heat Shield, Muffler	1	
3	UP06543A	Crankcase Cover Kit	1	Includes Items 4-5
4	06443A	Gasket, C/Case	1	
5	PS01565	Screw, Sems (10-24 x .560)	4	
6	UP03369A	Short Block (Svc) (25cc)	1	Includes Items 7-13
7	984544001	Piston & Rod (25cc)	1	Includes Item 8
8	PS01359	Piston Ring (25cc)	1	
9	UP04136A	Cylinder Kit (25cc)	1	Includes Items 10-13
10	04388B	Gasket, Cylinder	1	
11	06900A	Gasket, Heat Dam	1	
12	PS02807	Screw, Sems (12-24 x 3/4)	3	
13	00394B	Gasket, Muffler	1	
14	82537	Screw, Thread Forming (10-14 x 7/8)	5	
15	82538	Tapite, Truss (10-24 x 3/4)	4	

d25mhv Blower UT-08084 - Handle

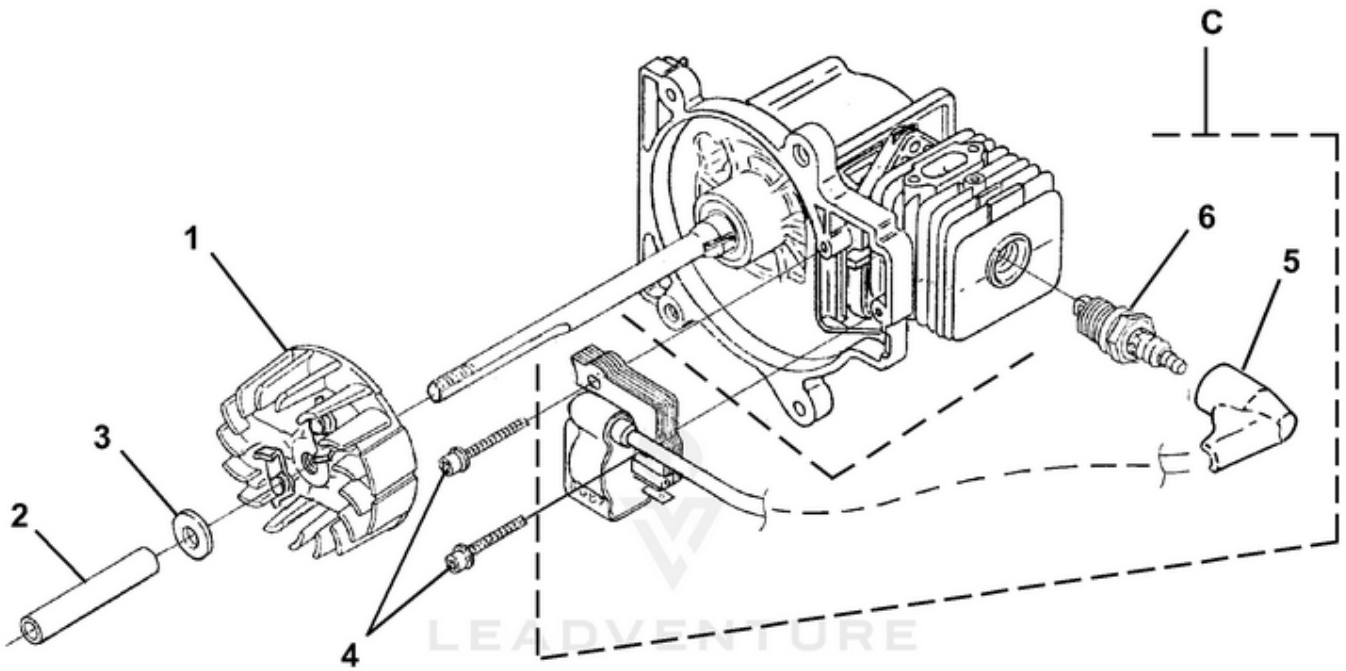


Item No.	Torque Specs		Required Loctite
	In/Lbs	Nm	
3	10-25	1.1-2.8	
4	30-45	3.4-5.1	

Rendered by LeadVenture, Inc.

Ref #	Part #	Description	Qty	Context Note
	UP06900A	Handle Assembly	1	Includes Items 1-8
1	UP04320A	Switch, Rocker (Stop)	1	
2	08116	Handle Cover	1	
3	82546	Screw, Thread Forming (8-16 X 1/2)	2	
4	82537	Screw, Thread Forming (10-14 X 7/8)	1	
5	JA995620	Washer, Flat	1	
6	PA01144	Kill Switch Lead	1	
7	08119	Cable, Throttle	1	
8	08118A	Trigger	1	

d25mhv Blower UT-08084 Ignition

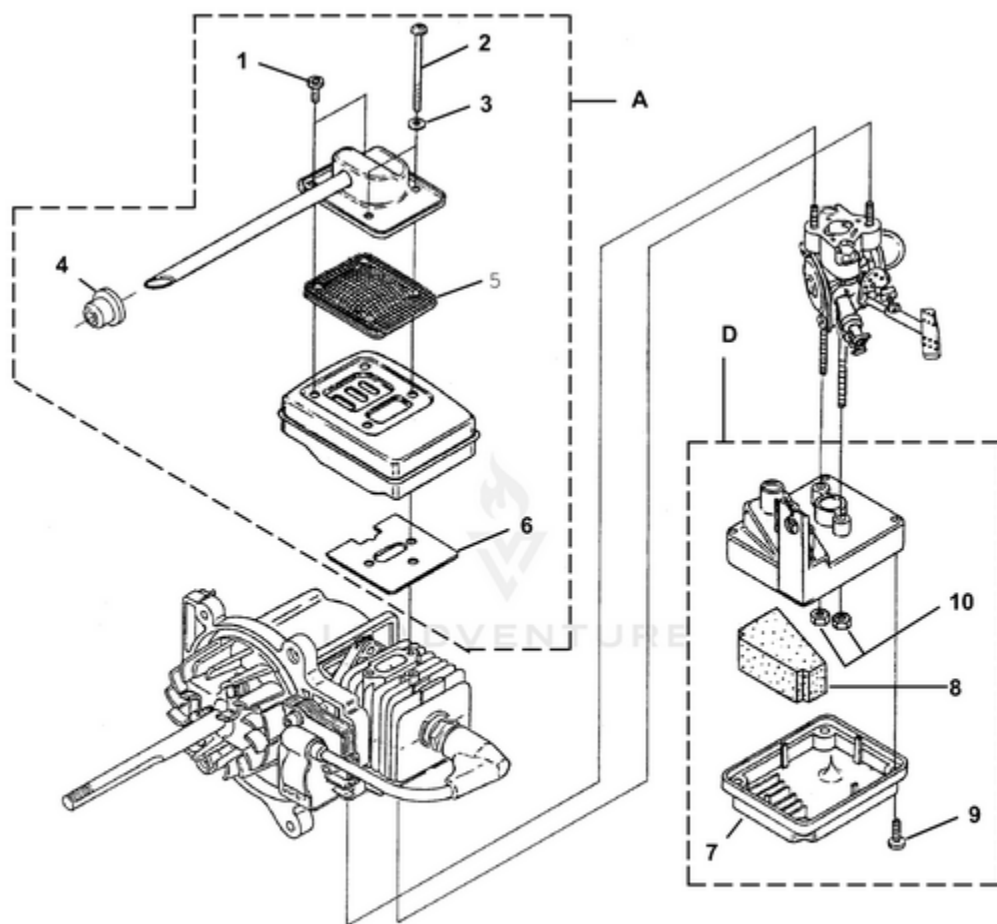


Item No.	Torque Specs		Required Loctite
	In/Lbs	Nm	
4	30-40	3.4-4.5	242 Blue
6	120-180	13.6-20.3	

Rendered by LeadVenture, Inc.

Ref #	Part #	Description	Qty	Context Note
1	984531001	Rotor & Starter Pawls	1	
2	PS04650	Spacer	1	
3	95479A	Washer, Flat	1	
4	82540	Screw-Thread Forming (8-32 X 1)	2	
C	UP06784	Ignition Kit w/Ignition Module	1	Includes items 5-6
5	PS06232	Ignition Module	1	
6	PS02227	Spark Plug	1	

d25mhv Blower UT-08084 - Muffler - Air Cleaner

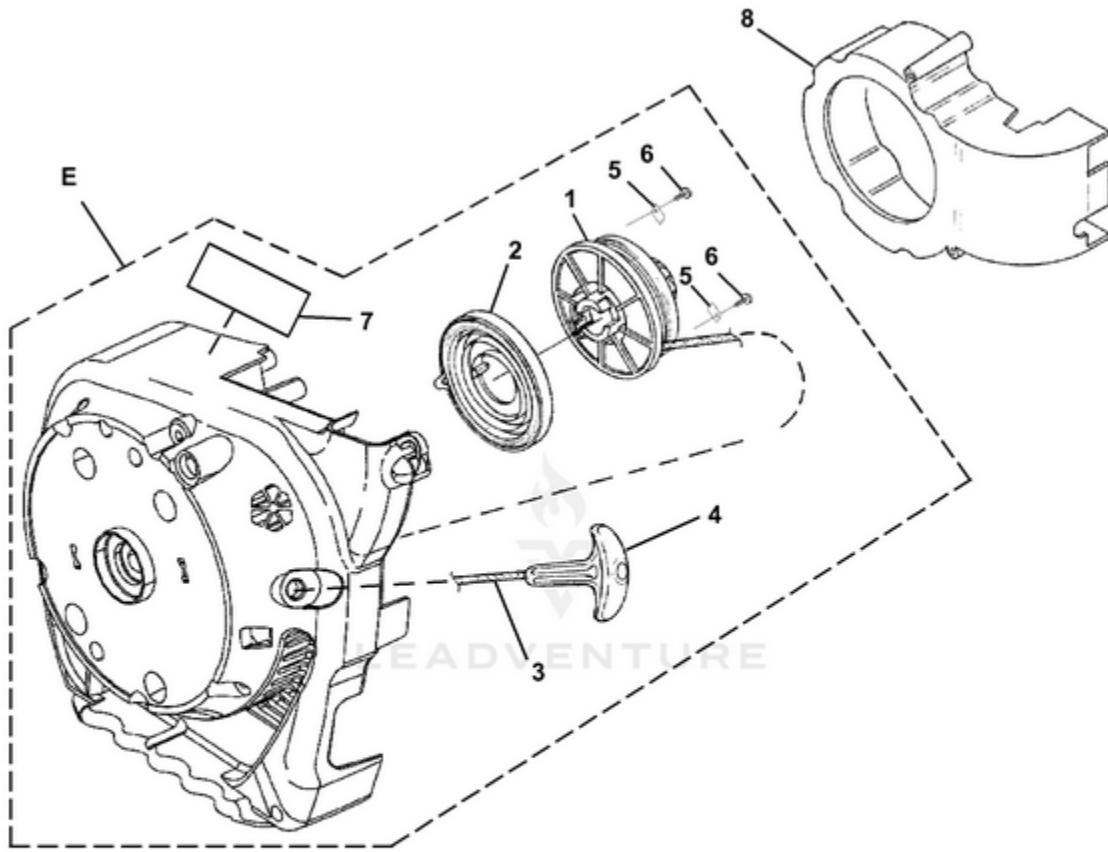


Item No.	Torque Specs		Required Loctite
	In/lbs	Nm	
1	20-30	2.3-3.4	
2	50-60	5.6-6.8	
9	30-40	3.4-4.5	
10	30-40	3.4-4.5	

Rendered by LeadVenture, Inc.

Ref #	Part #	Description	Qty	Context Note
A	UP06823A	Muffler Assembly, Crimped	1	Includes items 1-6
1	82600	Screw, Taptite (8-32 x 3/8)	2	
2	82613	Screw, Torx Truss Hd. (10-24 X 2.188")	2	
3	12021	Washer, Conical #10	2	
4	08104	Muffler Grommet	1	
5	PS00429	Screen Assy., Spark	1	
6	00394B	Gasket, Muffler	1	Also included with Short Block and Cylinder Kits.
D	UP06824A	Air Filter Assembly	1	Includes items 7-10
7	07547	Cover, Air Box	1	
8	08108	Filter Element #1	1	
9	82376	Screw, Thread Forming (8-16 X .50)	4	
10	07589	Nut, Lock Hex (10-24)	2	

d25mhv Blower UT-08084 - Starter

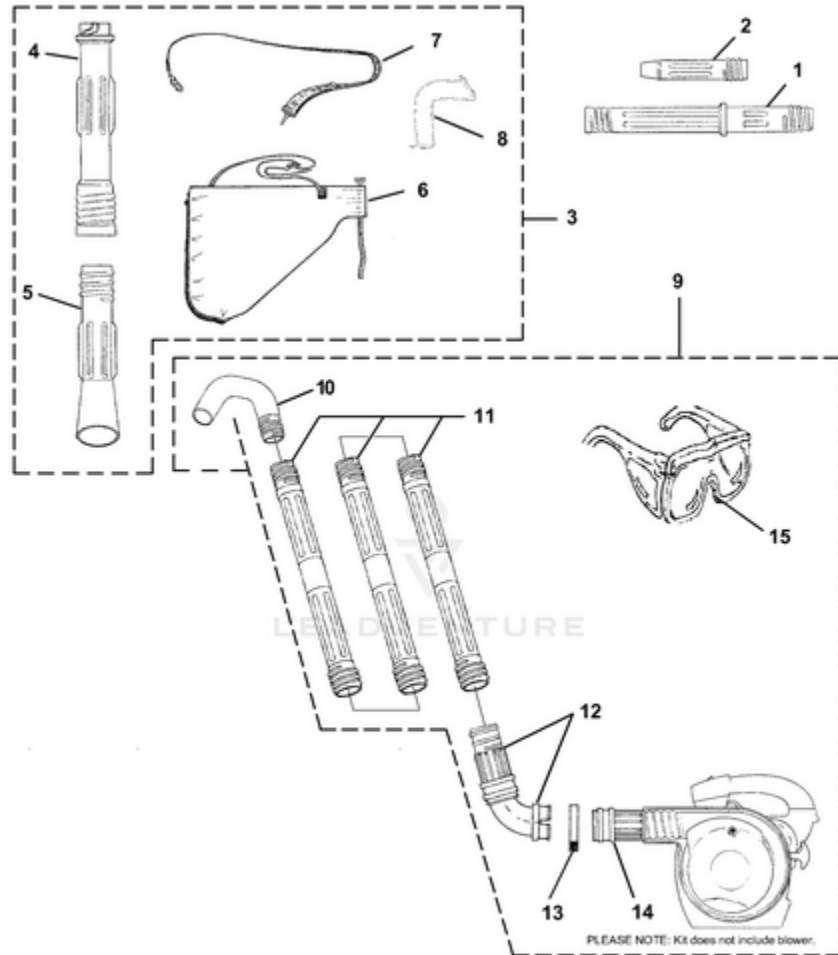


Item No.	Torque Specs		Required Loctite
	In/Lbs	Nm	
6	30-40	3.4-4.5	

Rendered by LeadVenture, Inc.

Ref #	Part #	Description	Qty	Context Note
E	UP00497A	Starter (Svc)	1	Includes Items 1-7
1	98770A	Pulley, Starter	1	
2	A98773A	Spring & Container	1	
3	9789902	Rope, Starter 42"	1	
4	PS00179	Grip, Starter (Black)	1	
5	98791	Bracket-Retaining	2	
6	82541	Screw-Plastite (#10-1/2")	2	
7	08501A	Start / Warning Decal	1	
8	07614C	Scroll	1	

d25mhv Blower UT-08084 - Tubes - Strap -Accessories

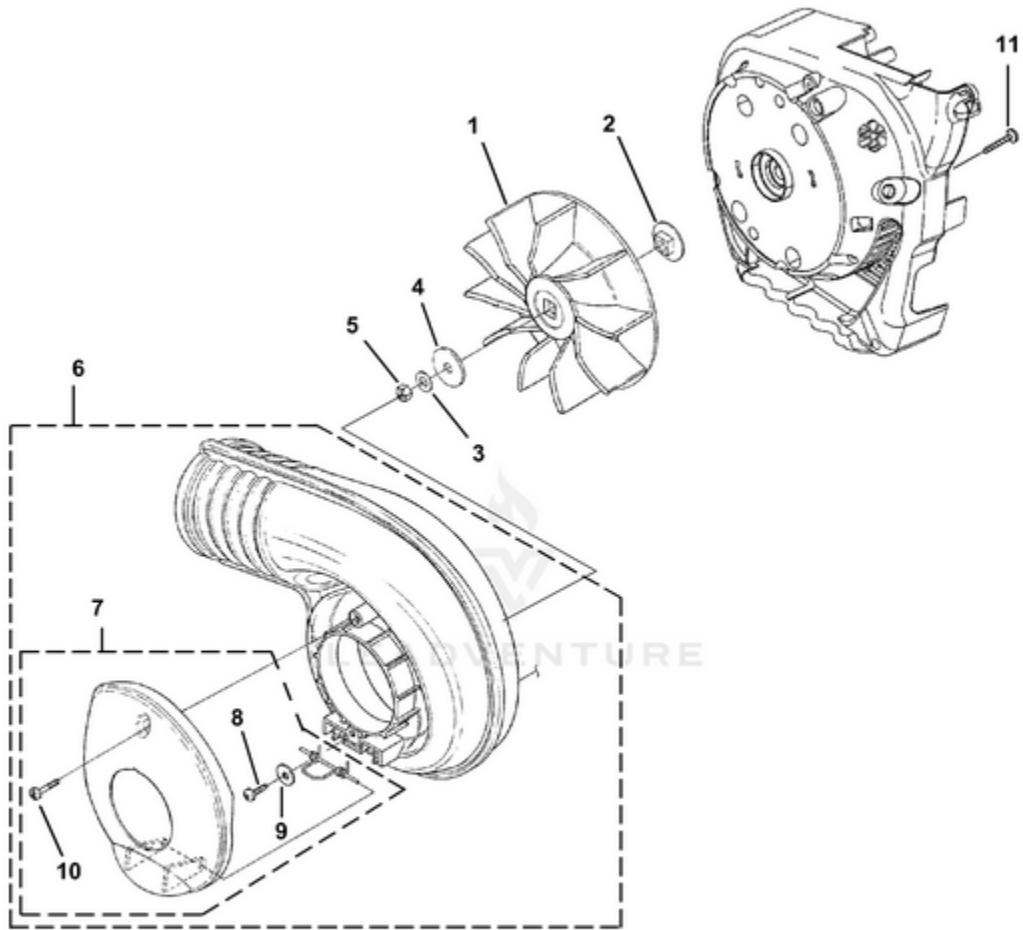


Special Tools	
Part No.	Description
18416	Electronic Tachometer
18774	Fuel Mix Tester
23488 C	Thread Locking Compound
24982 03	T25 Torx Bit 6" Long
94194	Compression Tester
JA 31316 4	Spark Tester

Rendered by Lead/Venture, Inc.

Ref #	Part #	Description	Qty	Context Note
1	07538	Tube, Blower	1	
2	08113	Nozzle, Blower	1	
3	A09293A	Vacuum Kit		Includes items 4-8
4	08201B	Vac Tube, Upper	1	
5	08202	Vac Tube, Lower	1	
6	PS02375	Bag	1	
7	96337C	Shoulder Strap	1	(Optional for UT08107 after S/N MB0660000)
8	09043	Air Deflector	1	
9	A07069AA	Gutter Maintenance Kit	1	Includes Items 10-15
10	07543	Full Elbow	1	
11	07498	Straight Tube	3	
12	A07627A	Upper Elbow & Swivel Adapter	1	
13	004335	Large Clamp	1	
14	08711A	Adapter, Gutter	1	
15	02557A	Safety Glasses - Clear	1	
	18416	Electronic Tachometer		Special Tools
	18774	Fuel Mix Tester		Special Tools
	23488C	Thread Locking Compound		Special Tools
	2498203	T25 Torx Bit 6" Long		Special Tools
	94194	Compression Tester		Special Tools
	JA313164	Spark Tester		Special Tools

d25mhv Blower UT-08084 - Volute - Fan



Item No.	Torque Specs		Required Loctite
	in/lbs	Nm	
5	130-150	14.7-17.0	
8	30-40	3.4-4.5	
10	15-20	1.7-2.3	
11	35-45	4.0-5.0	

Rendered by LeadVenture, Inc.

Ref #	Part #	Description	Qty	Context Note
1	07409	Fan	1	
2	04335	Adapter, Fan	1	
3	03163	Washer, Belleville	1	
4	58833	Washer, Flat	1	
5	81124A	Nut (3/8-24)	1	
6	UP06899A	Volute W/Door Assembly	1	Includes Items 6-10
7	UP06898A	Access Door	1	Includes Items 8-10
8	82541	Screw, Thread Forming (10-14 X 1/2)	1	
9	95935	Washer	1	
10	08204	Screw, Machine (10-24 X 3/4)	1	
11	82537	Screw, Plastite (10-14 X 7/8)	5	