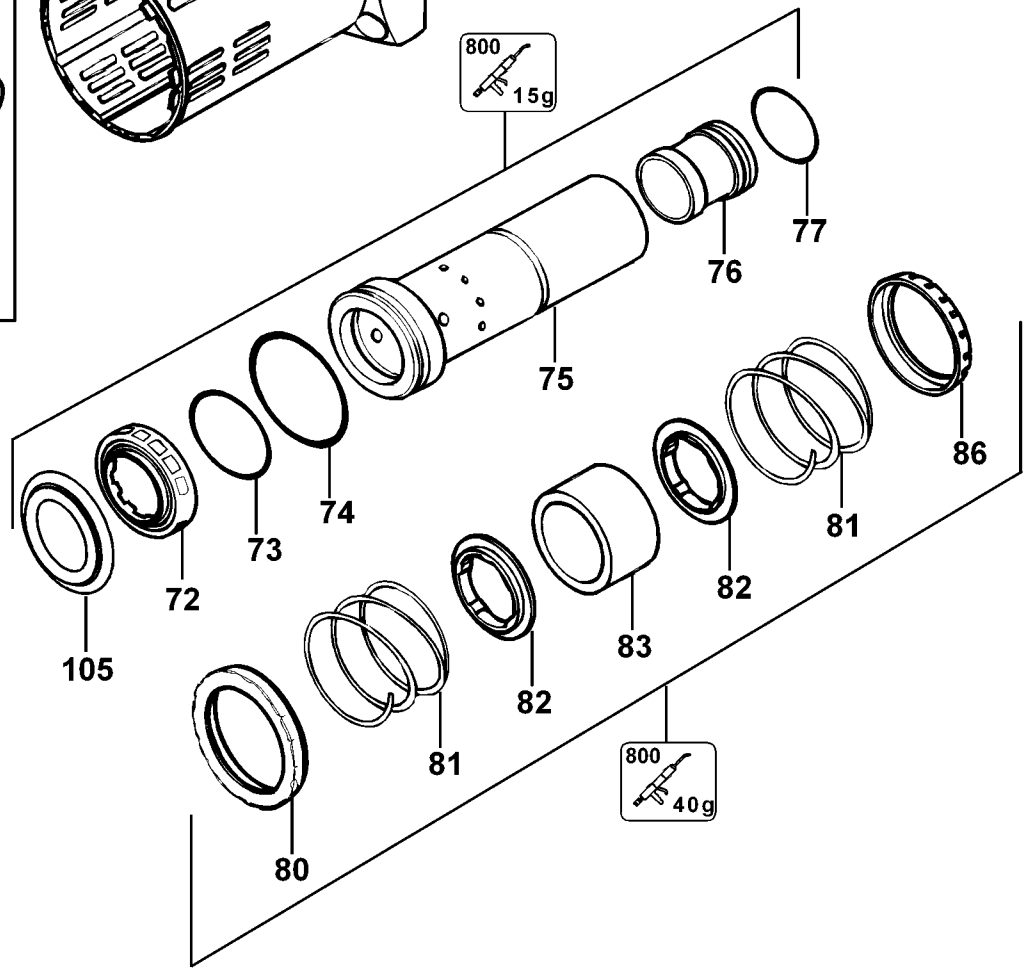
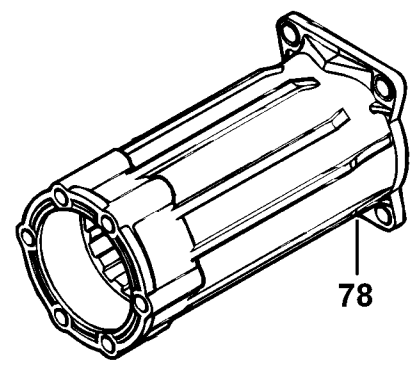
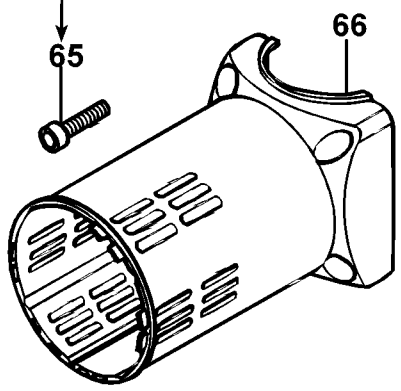


20Nm



Parts List for D25901K-B2 Type 1

| Item Number | Part Number | Description | Qty Required |
|-------------|-------------|--------------------|--------------|
| 1 | 579837-02 | ARMATURE | 1 |
| 2 | 579827-04 | FIELD ASSY. | 1 |
| 3 | 1007719-00 | BRUSH HOLDER ASSY | 1 |
| 4 | 590191-00 | SLEEVE,INSULATE | 1 |
| 5 | 577745-00 | BALL BEARING | 1 |
| 7 | 1007800-00 | SEAL | 1 |
| 8 | 1005550-02 | BRUSH,PAIR | 1 |
| 9 | 487377-00 | BRUSH SPRING | 2 |
| 10 | 1006393-00 | FAN | 1 |
| 11 | 324119-02 | SCREW | 1 |
| 12 | 1005637-00 | COMPRESSION SPRING | 2 |
| 13 | 1005640-00 | HANDLE | 1 |
| 14 | 1005643-00 | BELLOWS | 2 |
| 15 | 1005672-00 | SCREW | 2 |
| 16 | 1005646-00 | TUBE,GUIDE | 2 |
| 17 | 1005644-00 | STOP | 2 |
| 18 | 487326-03 | LEAD ASSY. | 1 |
| 19 | 1005639-00 | HANDLE | 1 |
| 20 | 1005496-01 | GUIDE BUSHING | 2 |
| 21 | 496906-00 | CARRIER | 1 |
| 22 | N062128 | SWITCH | 1 |
| 23 | 1005645-00 | ROD | 1 |
| 24 | 1005641-00 | HANDLE COVER | 1 |
| 25 | 821070 | CORD CLAMP | 1 |
| 26 | 330065-08 | SCREW | 7 |
| 27 | 1005942-00 | SLEEVE BEARING | 2 |
| 28 | 323091-01 | PROTECTOR,CORD | 1 |

Parts List for D25901K-B2 Type 1

| Item Number | Part Number | Description | Qty Required |
|-------------|-------------|-----------------|--------------|
| 29 | 582573-11 | CORD SET | 1 |
| 30 | 1005642-00 | GEAR CASE COVER | 1 |
| 31 | 496914-00 | BRIDGE | 1 |
| 32 | 487224-00 | SEAL | 1 |
| 33 | 330065-08 | SCREW | 2 |
| 34 | 324821-04 | CIRCLIP | 1 |
| 35 | N110363 | BEARING | 1 |
| 36 | 487209-01 | SEAL | 1 |
| 37 | 324821-03 | CIRCLIP | 1 |
| 38 | 487234-00 | CONNECTING ROD | 1 |
| 39 | 578452-00 | SPACER | 1 |
| 40 | 578451-00 | SPACER | 1 |
| 41 | 330003-67 | BEARING | 2 |
| 42 | 579782-00 | GEAR | 1 |
| 43 | 579783-00 | GEAR | 1 |
| 44 | 579772-00 | GEARCASE ASSY | 1 |
| 45 | 579839-00 | CRANKSHAFT | 1 |
| 46 | 576451-00 | RING | 1 |
| 47 | 487208-00 | PIN | 1 |
| 48 | 487228-00 | KNOB | 2 |
| 49 | 487213-00 | O RING | 1 |
| 50 | 579774-00 | PISTON | 1 |
| 51 | 579779-01 | PISTON ASSY. | 1 |
| 52 | 323711-47 | O RING | 1 |
| 53 | N147097 | COVER ASSY. | 1 |
| 54 | 1007717-00 | MODULE ASSY. | 1 |
| 55 | 479319-00 | CLAMPING INSERT | 1 |

Parts List for D25901K-B2 Type 1

| Item Number | Part Number | Description | Qty Required |
|-------------|-------------|---------------|--------------|
| 56 | 487284-00 | CLAMP WASHER | 2 |
| 57 | 1005666-00 | MOTOR COVER | 1 |
| 58 | 324007-11 | SCREW | 23 |
| 59 | 1007718-00 | SIDE HANDLE | 1 |
| 60 | 487343-00 | BOLT | 1 |
| 61 | 487277-00 | HANDLE | 1 |
| 62 | 479317-01 | LOCK WASHER | 2 |
| 63 | 487281-00 | CLAMP | 1 |
| 64 | 487291-00 | KNOB ASSY | 1 |
| 65 | 949886-32 | SCREW | 4 |
| 66 | 487282-00 | HOUSING COVER | 1 |
| 67 | 579832-00 | BEAT PIECE | 1 |
| 68 | 487270-00 | BUSH | 1 |
| 69 | 496678-00 | DAMPER | 1 |
| 70 | 579786-00 | BUSH | 1 |
| 71 | 487298-00 | O RING | 1 |
| 72 | 496847-00 | BUSH | 1 |
| 73 | 487297-00 | O RING | 1 |
| 74 | 323711-41 | O RING | 2 |
| 75 | N075954 | CYLINDER | 1 |
| 76 | 579780-00 | RAM | 1 |
| 77 | 487296-00 | O RING | 1 |
| 78 | 579769-00 | FRONT HSG | 1 |
| 79 | 323711-55 | O-RING | 1 |
| 80 | 487293-00 | SPRING GUIDE | 1 |
| 81 | 487247-00 | SPRING | 2 |
| 82 | 576488-00 | SPRING GUIDE | 2 |

Parts List for D25901K-B2 Type 1

| Item Number | Part Number | Description | Qty Required |
|-------------|-------------|-----------------|--------------|
| 83 | 579781-00 | COUNTERWEIGHT | 1 |
| 86 | 576489-00 | SPRING GUIDE | 1 |
| 87 | 487238-01 | SEAL | 1 |
| 88 | 487205-00 | RING | 1 |
| 89 | 487241-00 | WASHER | 1 |
| 90 | 487244-00 | RUBBER | 1 |
| 91 | 487236-00 | SLEEVE | 1 |
| 92 | 579784-00 | LOCKING RING | 1 |
| 93 | 487218-00 | SPRING | 1 |
| 94 | 487249-00 | BUSH | 1 |
| 95 | 489672-00 | KEY | 2 |
| 96 | 487240-00 | BUSHING | 1 |
| 97 | 487216-00 | SPRING | 1 |
| 98 | 487268-00 | SPRING GUIDE | 1 |
| 99 | 487289-00 | SPRING | 1 |
| 100 | 487267-00 | SLEEVE | 1 |
| 101 | 487237-00 | SLEEVE | 1 |
| 102 | 918825-02 | SCREW | 6 |
| 103 | 579778-00 | FLANGE | 1 |
| 104 | 323711-15 | RING,O | 1 |
| 105 | 496677-00 | DAMPER | 1 |
| 107 | 579773-00 | SPINDLE ASM | 1 |
| 108 | N014007 | SEAL | 1 |
| 109 | 487287-00 | O RING | 1 |
| 110 | 1007543-00 | BEARING BUSHING | 1 |
| 112 | 487392-00 | LABEL | 1 |
| 120 | 330003-68 | BALL BEARING | 1 |

Parts List for D25901K-B2 Type 1

| Item Number | Part Number | Description | Qty Required |
|-------------|-------------|---------------------|--------------|
| 130 | 330003-69 | BALL BEARING | 1 |
| 800 | 578970-06 | GREASE | 1 |
| 802 | 870889-02 | GREASE | 1 |
| 821 | 1005675-05 | NAME PLATE | 1 |
| 826 | 487395-01 | LABEL | 1 |
| 836 | 559617-99 | SERVICE TOOL | 1 |
| 837 | 559618-99 | SERVICE TOOL | 1 |
| 838 | 559621-99 | SERVICE TOOL | 1 |
| 840 | 559619-99 | SERVICE TOOL | 1 |
| 845 | 233804-20 | SEAL/TL HLDR ASY TL | 1 |
| 856 | 351087-01 | BIT | 1 |
| 861 | 487353-03 | KIT BOX | 1 |
| 876 | 1008772-00 | SERVICE KIT | 1 |