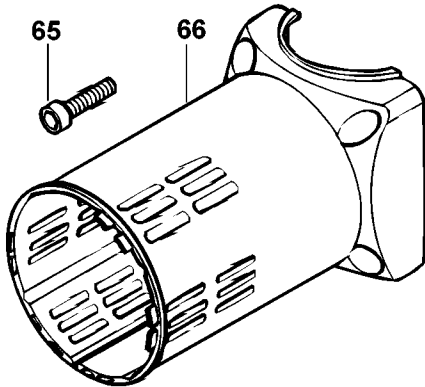


59

65

66



61

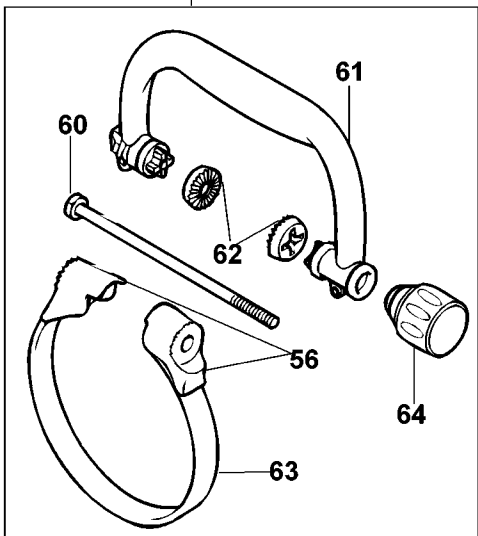
60

62

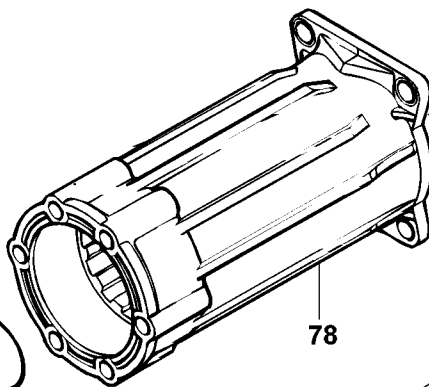
56

64

63



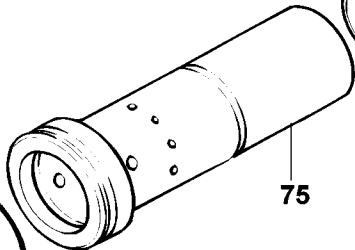
78



76

77

75



74

73

72

71



86



81

82

83

82

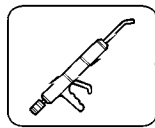
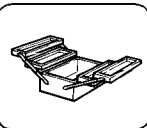
81

80



847

800



## Parts List for D25900KB2 Type 2

Item Number	Part Number	Description	Qty Required
1	579837-00	ARMATURE	1
2	579827-00	FIELD	1
3	487266-00	BRUSH PLATE	1
4	590191-00	SLEEVE,INSULATE	1
5	577745-00	BALL BEARING	1
8	588698-00	BRUSH KIT	2
9	487377-00	BRUSH SPRING	2
10	487252-00	FAN ASM	1
11	324119-02	SCREW	1
12	377374	PIN	1
13	487276-00	TRIGGER	1
14	487285-00	ROD	1
15	487286-00	ACTUATOR	1
16	000000-00	No Longer Available	1
17	326467-00	DETENT	2
18	487326-00	LEAD ASSY.	1
19	487275-00	HANDLE	1
21	487388-00	COVER	1
22	326087-01	SWITCH	1
23	579093-00	CABLE TIE	1
24	487378-00	BRACKET	1
25	821070	CORD CLAMP	1
26	330065-08	SCREW	7
28	323091-01	PROTECTOR,CORD	1
29	582319-01	CORD SET	1
30	487271-00	COVER	1
32	487224-00	SEAL	1

## Parts List for D25900KB2 Type 2

Item Number	Part Number	Description	Qty Required
33	576387-00	SEAL	1
34	324821-04	CIRCLIP	1
35	330003-70	BEARING	1
36	487209-01	SEAL	1
37	324821-03	CIRCLIP	1
38	487234-00	CONNECTING ROD	1
39	578452-00	SPACER	1
40	578451-00	SPACER	1
41	330003-67	BEARING	2
42	579782-00	GEAR	1
43	579783-00	GEAR	1
44	579772-00	GEARCASE ASSY	1
45	579839-00	CRANKSHAFT	1
46	576451-00	RING	1
47	487208-00	PIN	1
48	487228-00	KNOB	2
49	487213-00	O RING	1
50	579774-00	PISTON	1
51	579779-01	PISTON ASSY.	1
52	323711-47	O RING	1
53	N147098	COVER ASSY.	1
54	584376-06	ELECTRONIC	1
56	487284-00	CLAMP WASHER	2
57	487344-00	MOTOR COVER	1
58	324007-11	SCREW	23
59	584240-00	SIDE HANDLE	1
60	487343-00	BOLT	1

## Parts List for D25900KB2 Type 2

Item Number	Part Number	Description	Qty Required
61	487277-00	HANDLE	1
62	487278-00	WASHER	1
63	487281-00	CLAMP	1
64	487291-00	KNOB ASSY	1
65	949886-32	SCREW	4
66	487282-00	HOUSING COVER	1
67	579832-00	BEAT PIECE	1
68	487270-00	BUSH	1
69	487288-00	DAMPER	1
70	579786-00	BUSH	1
71	487298-00	O RING	2
72	487203-00	BUSH	1
73	487297-00	O RING	1
74	323711-41	O RING	2
75	N075954	CYLINDER	1
76	579780-00	RAM	1
77	487296-00	O RING	1
78	579769-00	FRONT HSG	1
79	323711-55	O-RING	1
80	487293-00	SPRING GUIDE	1
81	487247-00	SPRING	2
82	576488-00	SPRING GUIDE	2
83	579781-00	COUNTERWEIGHT	1
86	576489-00	SPRING GUIDE	1
87	487238-01	SEAL	1
88	487205-00	RING	1
89	487241-00	WASHER	1

## Parts List for D25900KB2 Type 2

Item Number	Part Number	Description	Qty Required
90	487244-00	RUBBER	1
91	487236-00	SLEEVE	1
92	579784-00	LOCKING RING	1
93	487218-00	SPRING	2
94	487249-00	BUSH	1
95	489672-00	KEY	2
96	487240-00	BUSHING	1
97	487216-00	SPRING	1
98	487268-00	SPRING GUIDE	1
99	487289-00	SPRING	1
100	487267-00	SLEEVE	1
101	487237-00	SLEEVE	1
102	918825-02	SCREW	6
103	579778-00	FLANGE	1
104	323711-15	RING,O	1
107	579773-00	SPINDLE ASM	1
108	N014007	SEAL	1
109	487287-00	O RING	1
110	1007543-00	BEARING BUSHING	1
111	579771-00	TOOL HOLDER ASY	1
112	487392-00	LABEL	1
800	578970-06	GREASE	1
801	328771-07	GREASE	1
802	870889-02	GREASE	1
821	584802-07	NAME PLATE	1
826	487395-01	LABEL	1
836	559617-99	SERVICE TOOL	1

## Parts List for D25900KB2 Type 2

Item Number	Part Number	Description	Qty Required
837	559618-99	SERVICE TOOL	1
838	559621-99	SERVICE TOOL	1
840	559619-99	SERVICE TOOL	1
845	233804-20	SEAL/TL HLDR ASY TL	1
847	581015-02	SERVICE KIT	1