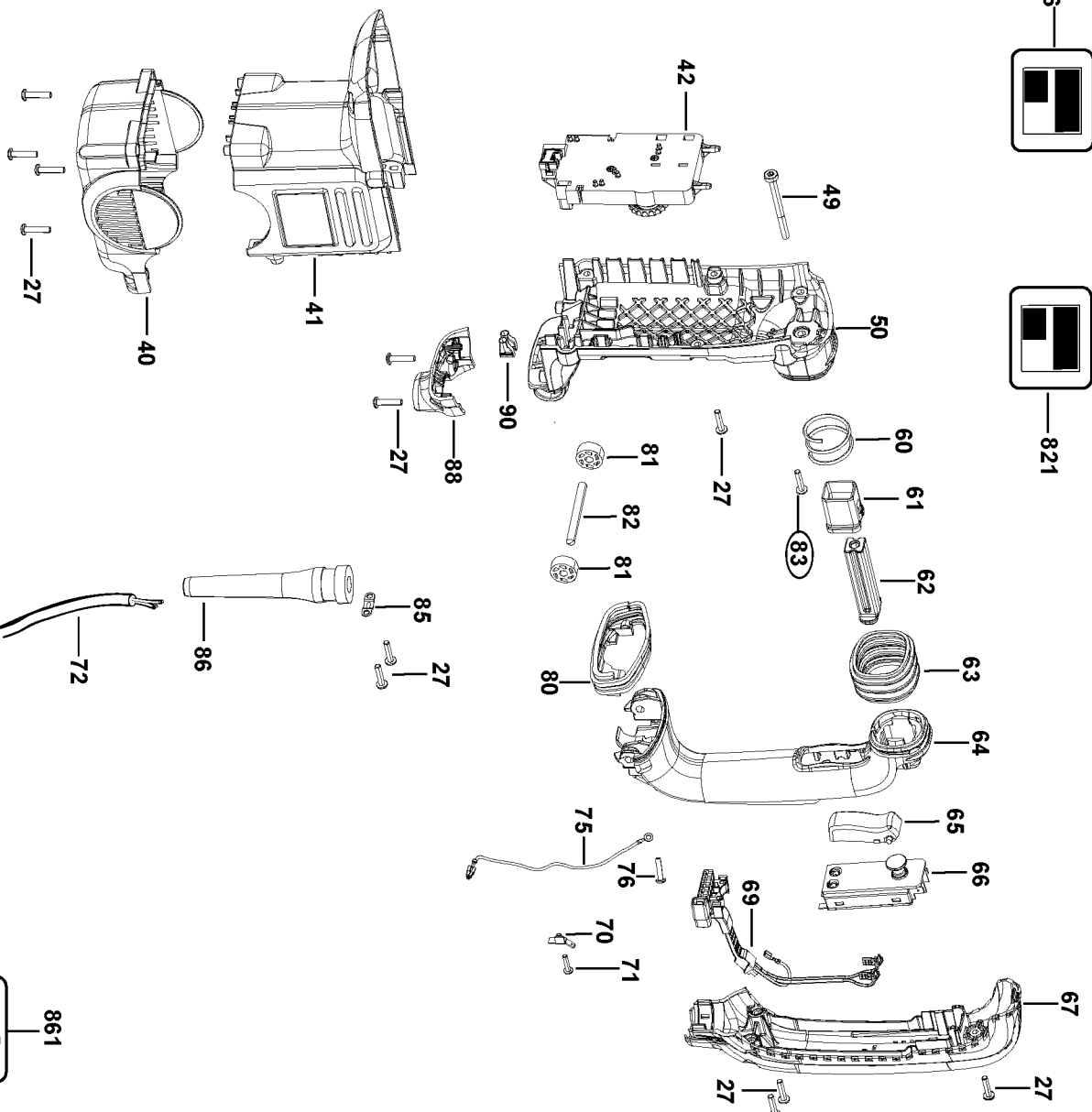
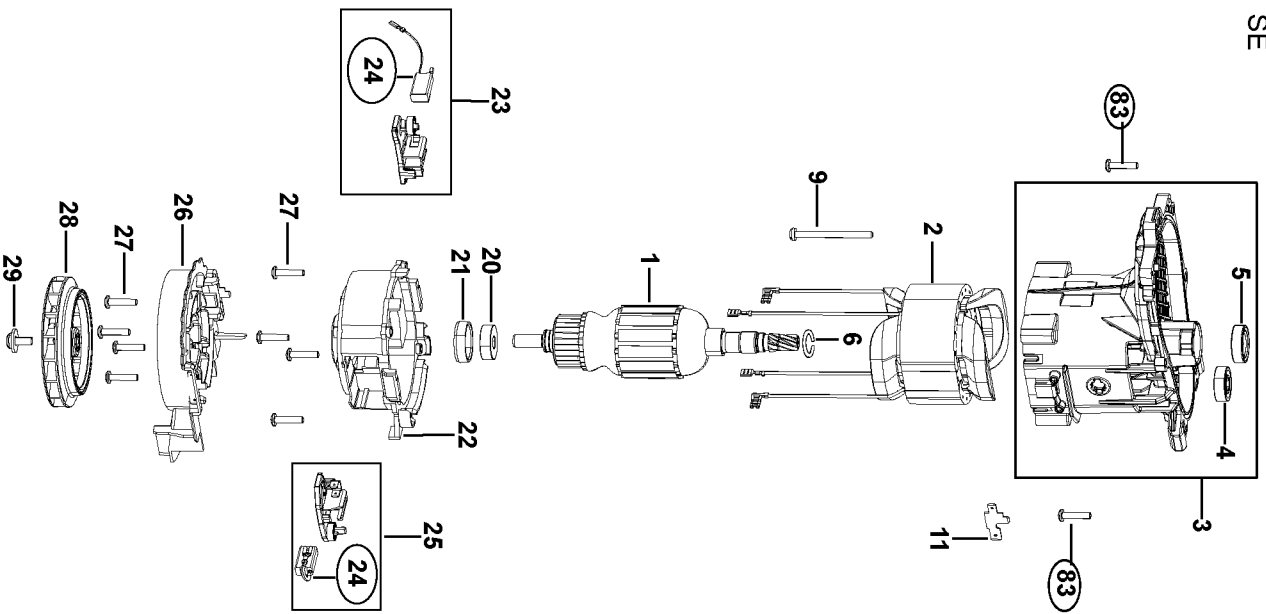
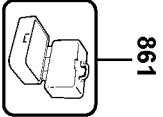


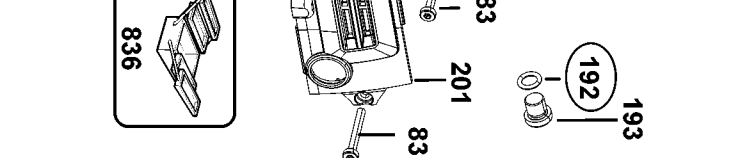
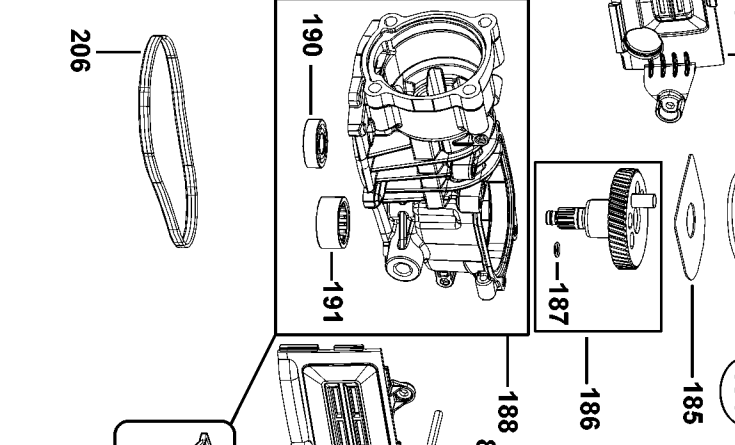
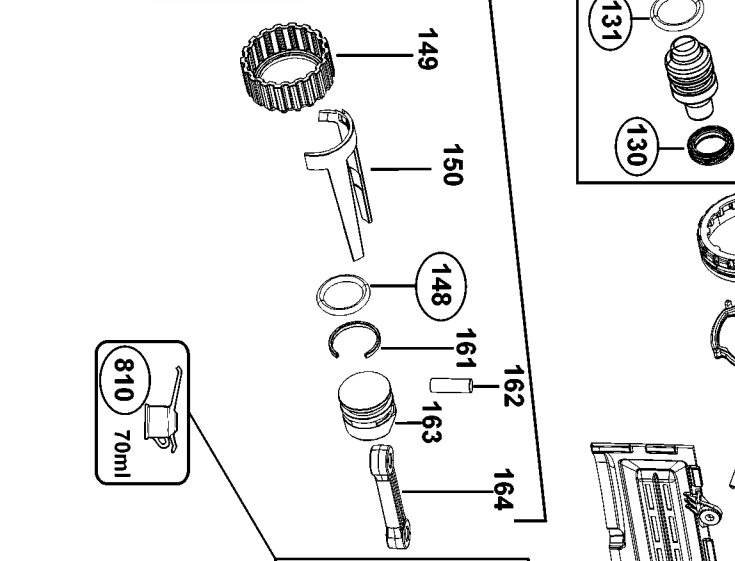
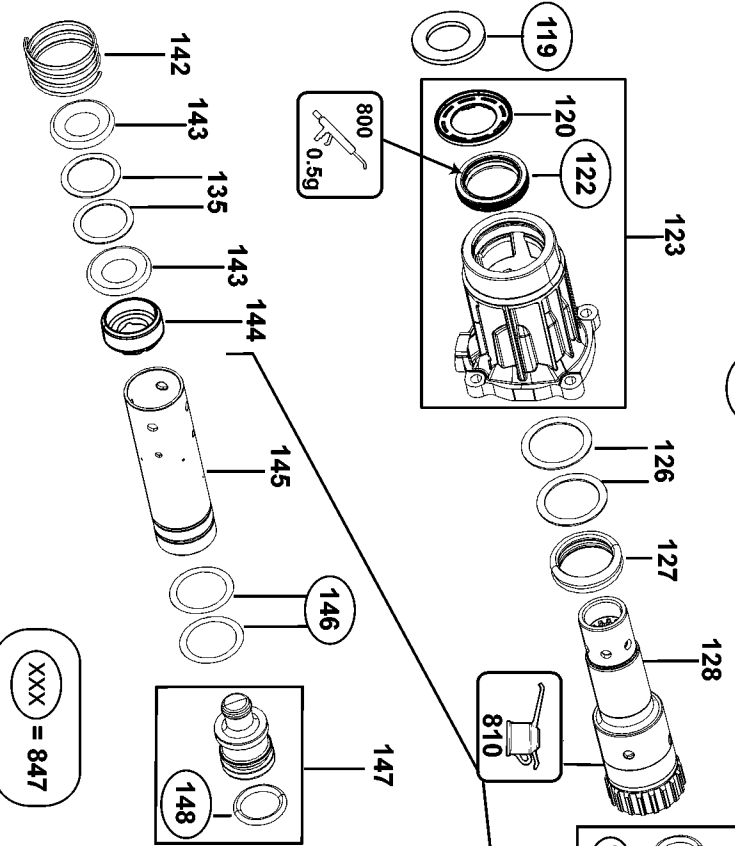
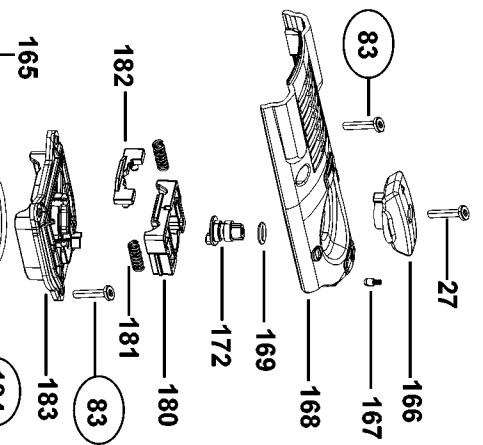
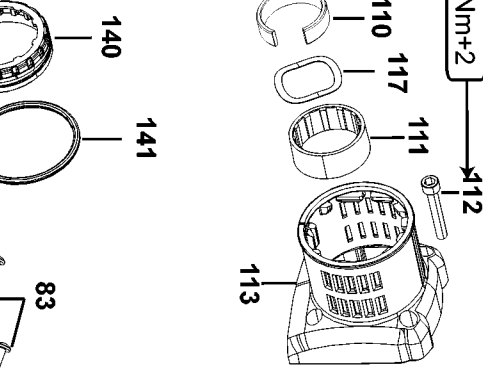
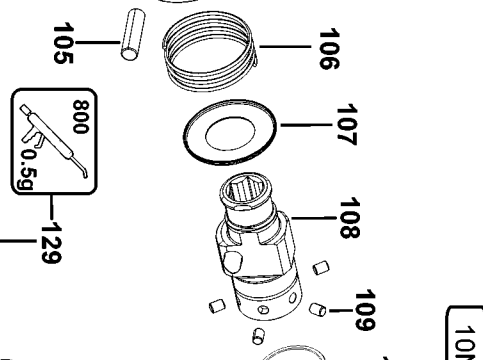
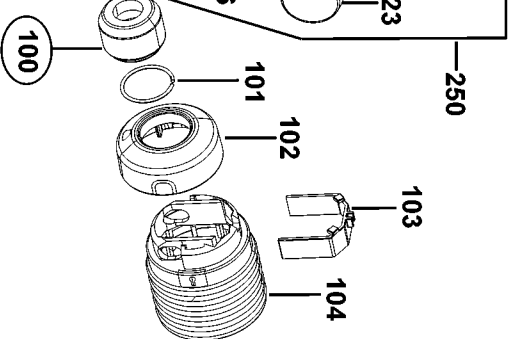
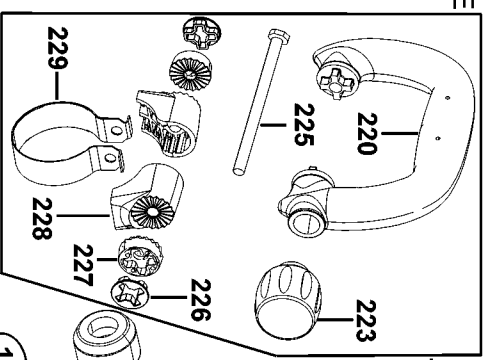
SE



XXX = 847



SE



XXX = 847

10Nm+2

810 70ml

836

Parts List for D25851K Type 2

Item Number	Part Number	Description	Qty Required
1	N046419	ARMATURE	1
2	N046422	FIELD	1
3	N082756	HOUSING	1
4	330003-39	BEARING,BALL	1
5	327141-03	SEAL	1
6	577746-00	RING	1
9	330065-21	SCREW	1
11	1007970-00	CONNECTOR	1
20	330003-60	BEARING	1
21	1007732-00	SLEEVE	1
22	1007798-00	BRIDGE	1
23	N047304	BRUSH & HOLDER	1
24	N047286	BRUSH SET (2)	1
25	N047445	BRUSH & HOLDER	1
26	N016920	FAN BAFFLE	1
27	330065-08	SCREW	27
28	1006592-01	FAN ASSEMBLY	1
29	324119-02	SCREW	1
40	1008683-00	END CAP	1
41	1006576-01	MOTOR COVER	1
42	N041755	GACC MODULE 115V	1
49	1005672-00	SCREW	1
50	1007939-00	COVER PLATE	1
60	1007569-00	SPRING	1
61	1007567-00	BUSHING	1
62	1007566-00	STOP	1
63	1007565-00	BELLOWS	1

Parts List for D25851K Type 2

Item Number	Part Number	Description	Qty Required
64	1008681-01	HANDLE	1
65	488065-01	TRIGGER	1
66	581070-01	SWITCH	1
67	1008682-00	HANDLE COVER	1
69	N022005	LEAD WIRE ASSY	1
70	N015311	CONNECTOR	1
71	326619-00	SCREW	1
72	330100-04	CORDSET	1
75	N020040	LEAD WIRE	1
76	326619-00	SCREW	1
80	1008678-00	BELLOWS	1
81	N038214	BUSHING	2
82	N062047	PIN	1
83	324007-11	SCREW	19
85	821070	CORD CLAMP	1
86	323091-01	PROTECTOR,CORD	1
88	1008391-00	COVER	1
90	N021606	LENS	1
100	N049332	DUST GUARD	1
101	487205-01	SPRING CLIP	1
102	1008282-00	BUSH	1
103	N021036	CLIP	1
104	1008281-00	TUBE	1
105	1008264-00	PIN	1
106	323395-06	SPRING	1
107	N313860	CONICAL FLAT GUIDE	1
108	N080645	HEX HOLDER	1

Parts List for D25851K Type 2

Item Number	Part Number	Description	Qty Required
109	1008275-00	ROLLER	6
110	N058328	CLIP	1
111	1008280-00	LOCKING RING	1
112	918825-02	SCREW	4
113	1006572-00	COVER	1
117	N075956	WASHER SPRING	1
119	N038151	FELT WASHER	1
120	N045793	BUSHING	1
122	1007828-00	SEAL	1
123	N041835	HOUSING	1
126	1005982-00	WASHER	1
127	496191-00	DAMPER	1
128	N080644	SPINDLE	1
129	N041847	BEAT PIECE	1
130	N244259	SEAL	1
131	323711-10	RING,O	1
135	N064329	WASHER	1
140	494857-00	BUSHING	1
141	1006283-00	GASKET	1
142	1005748-00	SPRING	1
143	N210233	O-RING	2
144	1006778-00	BUSHING	1
145	N041846	CYLINDER	1
146	577744-00	O RING	1
147	N041845	RAM	1
148	576232-01	O RING	2
149	N041844	SLEEVE	1

Parts List for D25851K Type 2

Item Number	Part Number	Description	Qty Required
150	1005749-00	FORK,SELECTOR	1
161	325905-00	RETAINER	1
162	330041-22	PIN	1
163	N041843	PISTON	1
164	494724-00	CONNECTING ROD	1
165	N482797	GEARCASE COVER	1
166	1006786-00	SELECTOR	1
167	326467-00	DETENT	1
168	1006575-01	TOP COVER	1
169	323711-57	O-RING	1
172	496856-00	ECCENTRIC	1
180	1006784-00	SLIDER	1
181	323395-32	SPRING	2
182	1006783-00	CONNECT	1
183	496857-00	COVER	1
184	323711-59	O-RING	1
185	1006785-00	PLATE	1
186	N041841	CRANKSHAFT	1
187	323711-26	RING,O	1
188	N527066	HOUSING ASSEMBLY	1
190	577745-01	BALL BEARING	1
191	586301-00	NEEDLE BEARING	1
192	323711-57	O-RING	1
193	1008427-00	SPECIAL SCREW	1
201	N482796	GEARCASE COVER	1
206	1006282-00	GASKET	1
220	487277-00	HANDLE	1

Parts List for D25851K Type 2

Item Number	Part Number	Description	Qty Required
223	487291-00	KNOB ASSY	1
225	487343-00	BOLT	1
226	479319-00	CLAMPING INSERT	1
227	479317-00	LOCK WASHER	2
228	N021994	CLAMP WASHER	1
229	N021995	CLAMP	1
250	N073104	SIDE HANDLE ASY	1
800	870889-03	GREASE	1
810	N040237	TUBE OIL	1
816	N064908	BRAND LABEL	1
821	N486508	RATING LABEL	1
836	1003938-99	SERVICE TOOL	1
847	N095945	SERVICE KIT	1
861	574931-23	KIT BOX	1