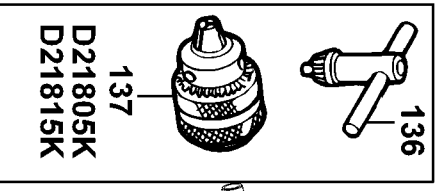


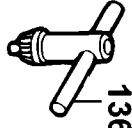
D21805 / 21810
D21815
KS / S

139

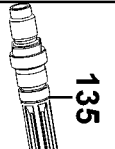


D21805K
D21815K

138



136



135



129



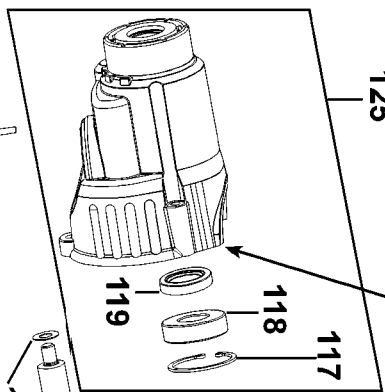
131



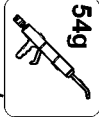
133



134



125



800

54g



117



118



119



837



113



115



112



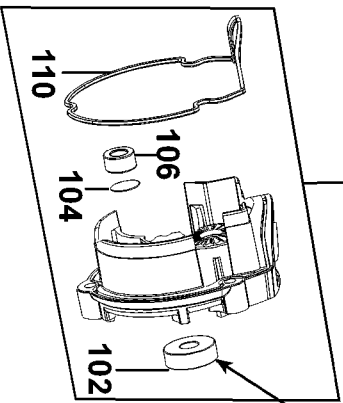
111



114



116



105



836



110



106



104



102



103



101



120



121



122



123



124



821



157



159



160



158



160



171



169



173



169



155



155



156



177



159



171



172



169



173



169



174



152



153



154



155



155



177



158



159



171



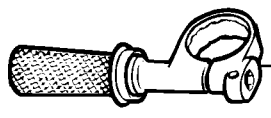
172



169



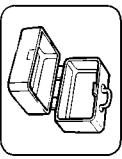
174



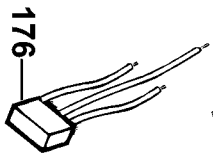
150



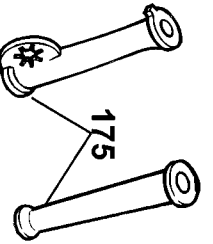
151



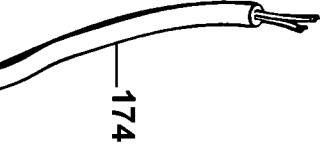
861



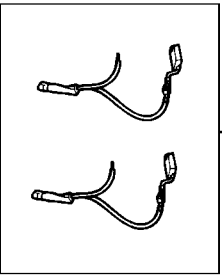
176



175



174



177

Parts List for D21815K-B2 Type 1

Item Number	Part Number	Description	Qty Required
101	389824-00	CUP	1
102	330003-04	BEARING,BALL	2
103	494427-00	ARMATURE 230V	1
104	931284	THRUST WASHER	1
105	494623-00	GEARCASE	1
106	330004-20	NEEDLE BEARING	1
110	488148-00	SEAL	1
111	000903-00	BALL	1
112	945706-00	CLUTCH	1
113	494626-00	GEAR	1
114	494627-00	INTERMED SPINDLE	1
115	479369-00	CIRCLIP	1
116	492481-00	WASHER	1
117	488147-00	CIRCLIP	1
118	605040-25	BEARING	1
119	1006305-00	SEAL	1
120	479859-00	SELECTOR	1
121	326467-00	DETENT	2
123	323711-34	RING,O	1
124	330065-22	SCREW	1
125	494629-00	NOSE ASSY	1
129	330019-30	SCREW	2
130	479865-00	KNOB	1
131	931890-00	SPRING	1
132	323711-34	RING,O	1
133	917725-00	BALL	1
134	330019-16	SCREW	1

Parts List for D21815K-B2 Type 1

Item Number	Part Number	Description	Qty Required
135	494630-00	SPINDLE	1
136	330034-08	KEY,CHUCK	1
137	584925-00	CHUCK	1
138	490910-00	SCREW	1
139	586200-11	KEYLESS CHUCK	1
150	939794-02	HANDLE,SIDE	1
151	580787-00	DEPTH STOP	1
152	949638-02	PLUG,RUBBER	2
153	176811-00	BAFFLE	1
154	494631-00	FIELD 230V	1
155	390198-00	SCREW	2
156	478814-00	FIELD CASE	1
157	401878-02	BRUSH HOLDER	1
158	401877-02	BRUSH HOLDER	1
159	402759-01	BRUSH SPRING	2
160	330065-06	SCREW	2
169	330019-13	SCREW,PLASTITE	3
170	488142-00	HANDLE COVER	1
171	494635-00	SWITCH	1
172	930026-01	BUMPER	1
173	402648-00	CLAMP,CORD	1
174	582573-00	CORDSET	1
175	401751-00	CORD PROTECTOR	1
176	585292-03	CAPACITOR	1
177	578393-02	BRUSH	1
800	870889-02	GREASE	1
836	559666-99	SERVICE TOOL	1

Parts List for D21815K-B2 Type 1

Item Number	Part Number	Description	Qty Required
837	559596-99	SERVICE TOOL	1
861	577646-01	KIT BOX	1