

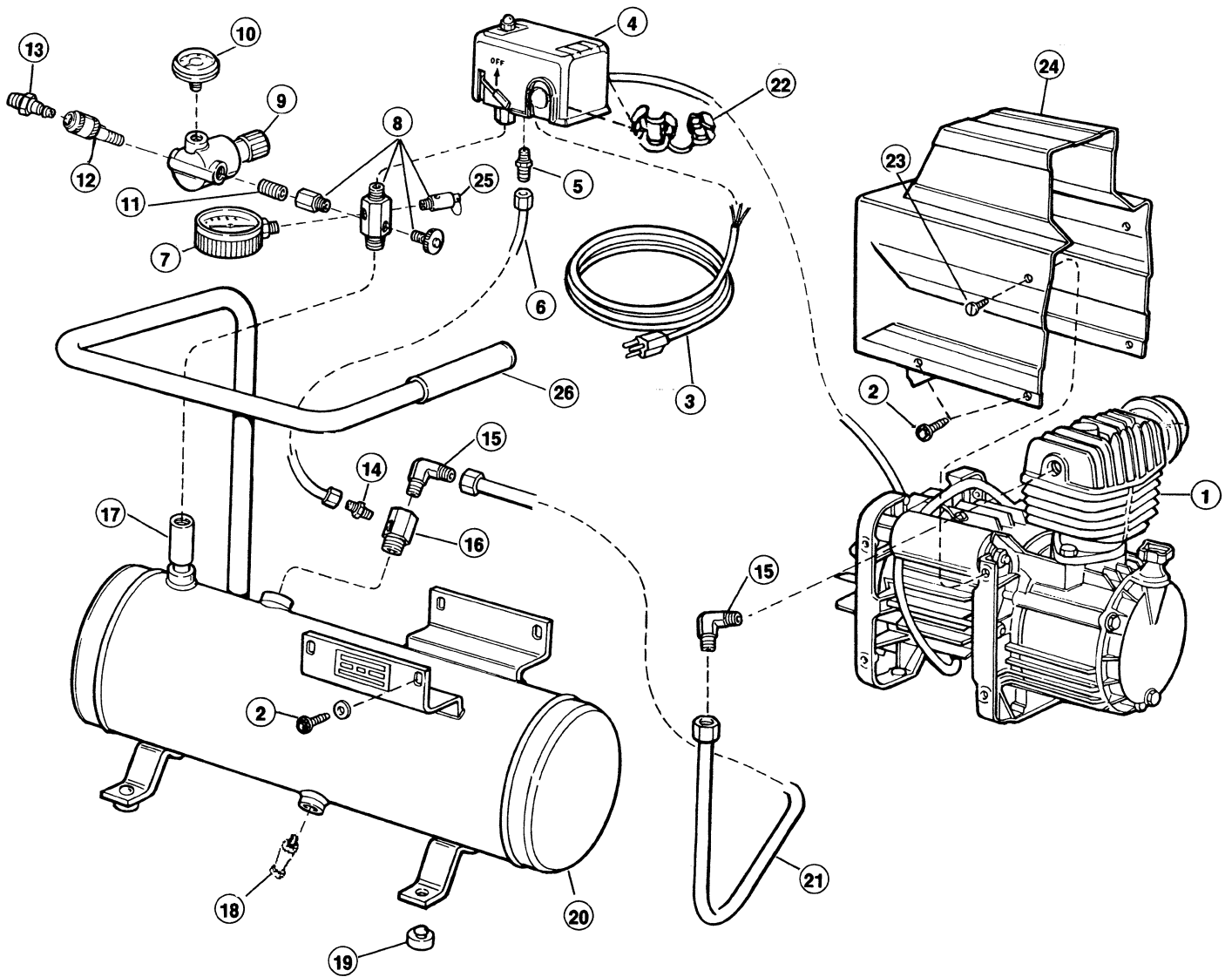


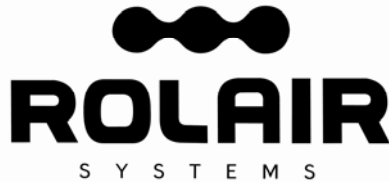
ROLAIR

SCHEMATIC FOR MODELS

D075LS3 D1500HS3

D075HS3






ROLAIR SYSTEMS

606 S. Lake Street, P.O. Box 346
Hustisford Wisconsin 53034-0346
Phone: 920-349-3281
Sales Fax: 920.349.3691
Service Fax: 920.349.8861
www.rolair.com

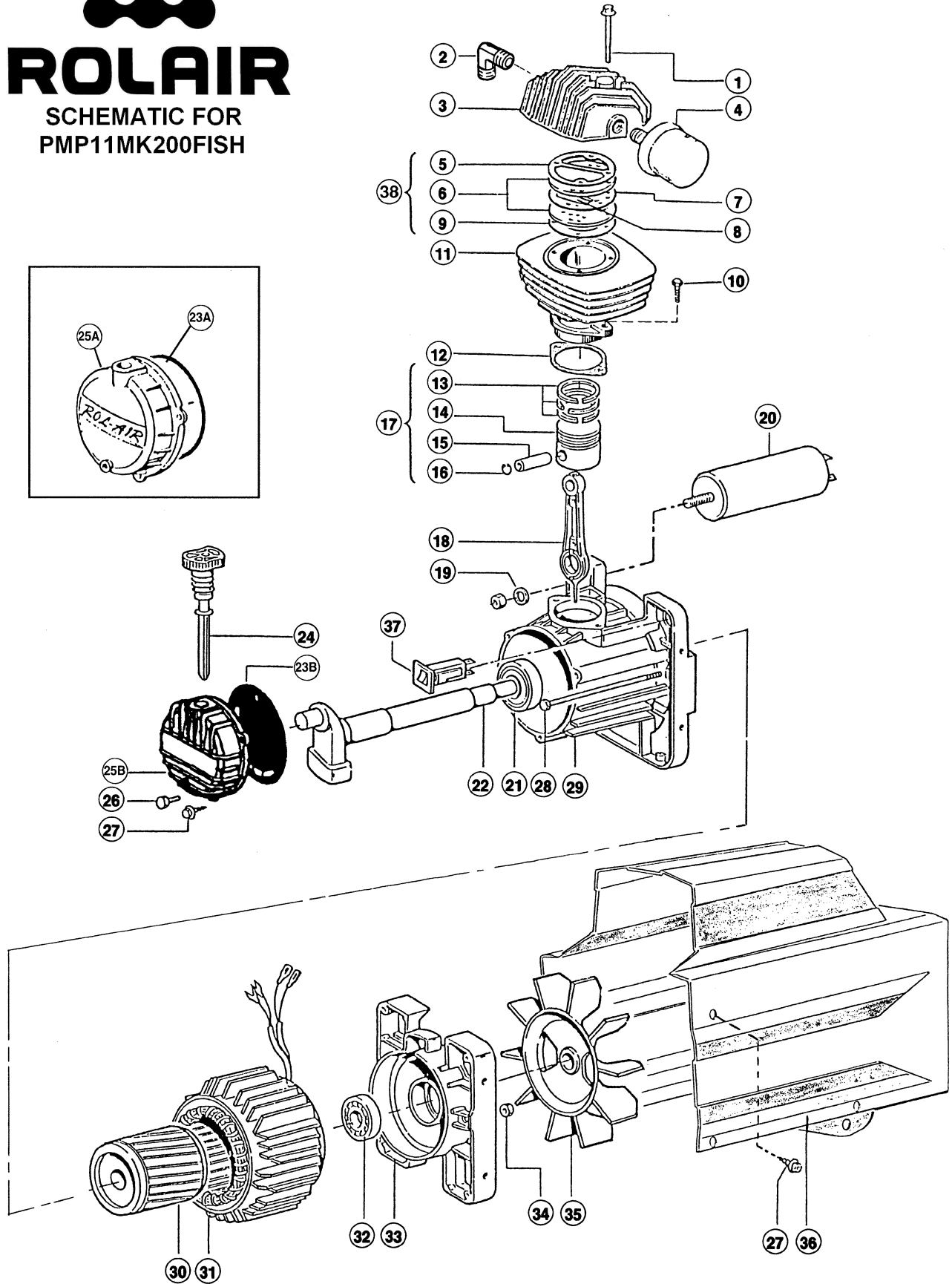
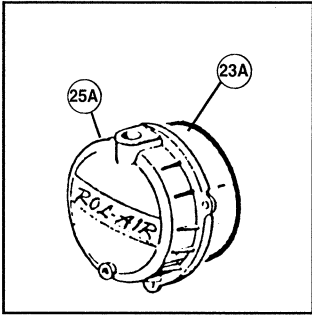
**PARTS LIST FOR MODELS
D075LS3 D075HS3 D1500HS3**

Schematic #	Description	Part #	Qty.
1	1 HP Pump Motor – Model D075HS3 1 HP Pump/Motor – Model D075LS3 2 HP Pump/Motor – Model D1500HS3	PMP11MK100FI PMP11MK105FI PMP11MK200FI	1 1 1
2	Screw	MIS10036	4
3	Cord w/Plug	176	1
4	Pressure Switch	PS2020	1
5	Pressure Switch Relief Valve	PS2020RV	1
6	¼" Nylon Tubing	Specify Model	1
7	Gauge – Tank	GA0250200	1
8	Brass Manifold	154A	1
9	Regulator	REG0250M	1
10	Gauge – Line	GA0125200	1
11	Nipple	BLNP0250X1500	1
12	Quick Disconnect	308	1
13	Coupler Plug	310	1
14	Brass Straight (D075LS3, D075HS3 Only)	BRST0250X012538	1
15	Brass Elbow (D075LS3, D075HS3 Only) (D1500HS3 Only)	BREL0375X037539 BREL0500X037539	1 1
16	Check Valve (D1500HS3 Only) w/Bleeder Valve Bleeder Valve All Other Models	CV3X4TWB CSV0125 CV3X4T	1 1 1
17	Coupling	BLCP0500	1
18	Drain Valve	132B	1
19	Rubber Foot	218	4
20	Tank Assembly	TNKASYS3	1
21	3/8" Copper Tube (D075LS3, D075HS3) ½" Copper Tube (D1500HS3)	Specify Model Specify Model	1 1
22	Box Connector	160	2
23	Screw	014006121F	2
24	Shroud	199657000F	1
25	Safety Valve	Consult Factory	1
26	Handle Grip Intake Filter Assembly Filter Element	328 317013000F 317013004FE	1



ROLAIR

SCHEMATIC FOR
PMP11MK200FISH





ROLAIR SYSTEMS

606 S. Lake Street, P.O. Box 346
Hustisford Wisconsin 53034-0346
Phone: 920-349-3281
Sales Fax: 920.349.3691
Service Fax: 920.349.8861
www.rolair.com

PARTS LIST FOR PMP11MK200FISH

Schematic #	Description	Part #	Qty.
1	Bolt	014002021F	4
2	Brass Elbow	BREL0500X037539	1
3	Head	116001001F	1
4	Intake Filter Assembly	317013000F	1
	Filter Element	317013004FE	1
5	Gasket	116022009F	1
6	Valve Plate	116022013F	2
7	Gasket	116022012F	1
8	Valve	116022038F	2
9	Gasket	116022010F	1
10	Bolt	MIS10049	2
11	Cylinder	116032060F	1
12	Gasket	116022023F	1
13	Ring Set	216022002F	1
14	Piston	116022004F	1
15	Piston Pin	116022040F	1
16	Snap Ring	015001000F	2
17	Piston Assembly	416022004F	1
18	Connecting Rod	116091021F	1
19	Washer	014005006F	1
20	Capacitor	009200035F	1
21	Bearing	033018000F	1
22	Crankshaft	116032006F	1
23A	O-Ring	010013000F	1
23B	Diaphragm	116001025F	1
24	Dipstick	012035000F	1
25A	Crankcase Cover	116022006F	1
25B	Crankcase Cover*	N.L.A.	1
26	Drain Plug	014013024F	1
27	Screw	014006121F	5
28	Bolt	116011038F	2
29	Motor Housing	116022051F	1
30	Rotor	116092003F	1
31	Stator	416092641F	1
32	Bearing	033005000F	1
33	End Bell	116011002F	1
34	Nut	014003002F	2
35	Fan	116001003F	1
36	Shroud	116001002F	1
37	Manual Reset Button	008030000F	1
38	Valve Plate Assembly	116022100F	1
	Gasket Set	216032001F	1
	Repair Kit Includes: Gasket Set, Ring Set, (2) Valves, Filter Element	MK200REPKITLVP	
	Repair Kit Includes: Gasket Set, Ring Set, (2) Valve Plates, (2) Valves, Filter Element	MK200REPKITWVP	

*Use 116022006F cover and 116001025F diaphragm