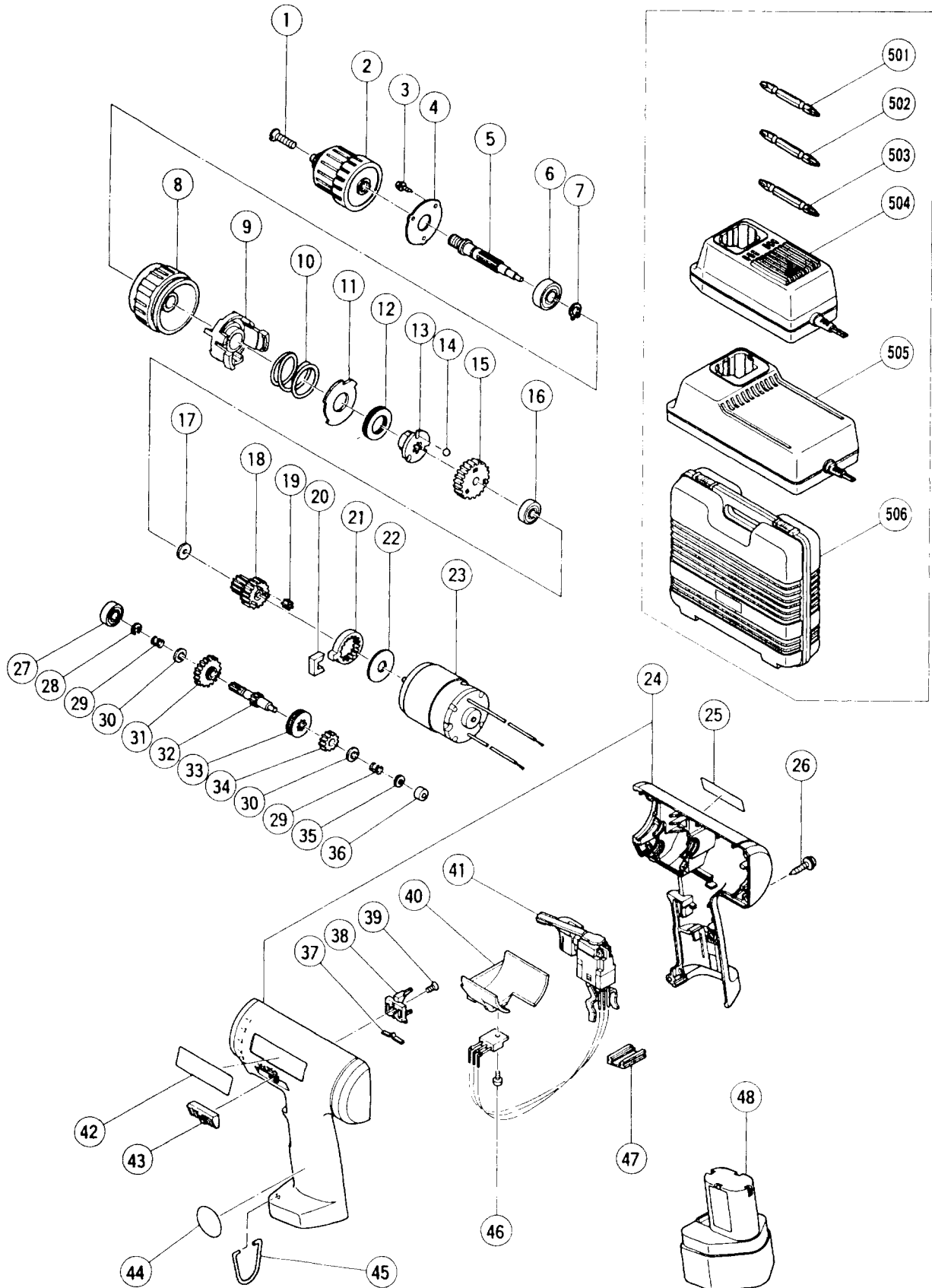


ELECTRIC TOOL PARTS LIST

■ CORDLESS DRIVER DRILL
Model D 10DF2

1993 · 3 · 10
(E1)



PARTS

D 10DF2

ITEM NO.	CODE NO.	DESCRIPTION	NO. USED	REMARKS	
1	992-077	FLAT HD. SCREW (LEFT HAND) M5X17	1		
*	2	303-915	DRILL CHUCK 10TLRA - N (W/O CHUCK HANDLE)	1	
*	2	301-553	DRILL CHUCK 10TLR - N (W/O CHUCK HANDLE)	1	FOR GBR,FRG,AUT,ITA,HOL,SUI,FRA,FIN, SWE,DEN,NOR,BEL,ESP
3	984-327	TAPPING SCREW (W/SP. WASHER) D3X8	3		
4	981-663	PLATE	1		
5	301-741	SPINDLE	1		
6	600-0VV	BALL BEARING 6000VVCMP2S	1		
7	939-540	RETAINING RING FOR D10 SHAFT (10 PCS.)	1		
8	301-748	CAP	1		
9	303-722	SPRING HOLDER	1		
10	301-746	SPRING	1		
11	301-745	THRUST PLATE	1		
12	301-744	THRUST NEEDLE BEARING	1		
13	301-743	BALL HOLDER	1		
14	959-149	STEEL BALL D4.76 (10 PCS.)	3		
15	301-742	FINAL GEAR	1		
16	626-VVM	BALL BEARING 626VVMC2ERPS2S	1		
17	301-730	WASHER	1		
18	301-728	GEAR HOLDER	1		
19	301-725	IDLE GEAR (3 PCS.)	3		
20	301-978	DAMPER	1		
21	301-726	RING GEAR	1		
22	301-727	WASHER	1		
23	301-724	MOTOR	1		
24	305-959	HOUSING (A),(B) SET	1		
*	25		NAME PLATE	1	
26	991-672	TAPPING SCREW (W/WASHER) D3X16	6		
27	607-MC3	BALL BEARING 607MC3	1		
28	673-489	RETAINING RING (E - TYPE) FOR D5 SHAFT	1		
29	301-738	SPRING (A)	2		
30	301-739	WASHER	2		
31	301-735	LOW SPEED GEAR	1		
32	301-733	SECOND PINION	1		
33	301-736	CLUTCH PLATE	1		
34	301-734	HIGH SPEED GEAR	1		
35	301-737	WASHER	1		
36	994-677	METAL D4X6	1		
37	980-829	SHIFT SPRING	1		
38	301-749	SHIFT ARM	1		
39	949-321	FLAT HD. SCREW M4X8 (10 PCS.)	1		
40	306-029	FIN	1		
41	306-028	DC - SPEED CONTROL SWITCH	1		
42		HITACHI LABEL	1		
43	301-750	SHIFT KNOB	1		
44	987-135	MARK PLATE	1		
45	980-838	HOOK	1		
46	306-039	BIND SCREW M3X7	1		
47	991-666	TERMINAL SUPPORT	1		
*	48	991-642Z	BATTERY EB 9 (W/ENGLISH N.P.)	1	
*	48	991-681	BATTERY EB 9 (W/ENGLISH N.P.)	1	FOR HOL,SUI,SWE,DEN,NOR

*: ALTERNATIVE PARTS

