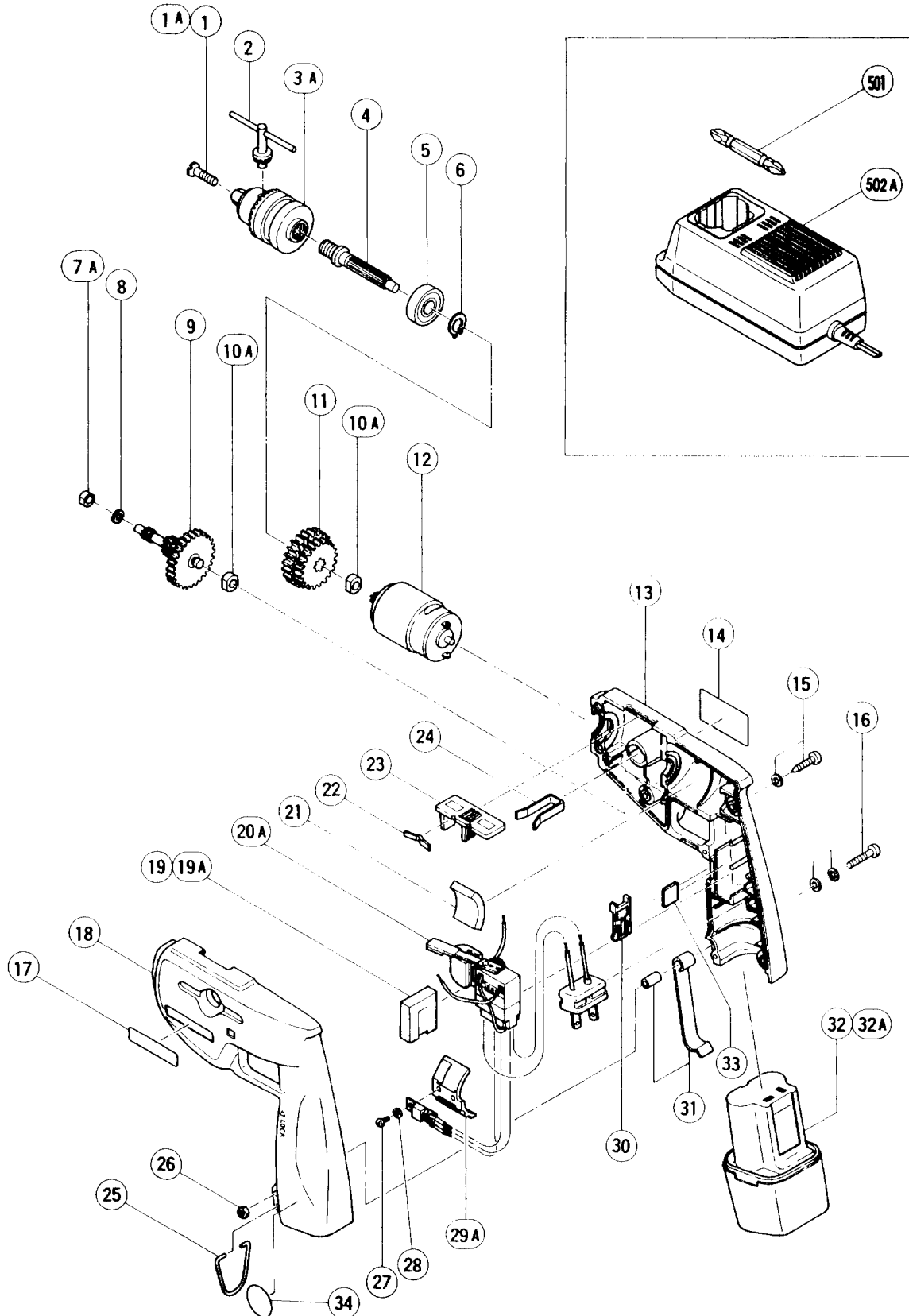


ELECTRIC TOOL PARTS LIST

CORDLESS DRIVER DRILL
Model D 10DB

1993 · 2 · 2
(E3)



PARTS

D 10DB

ITEM NO.	CODE NO.	DESCRIPTION	NO. USED	REMARKS
1	980-836	FLAT HD. SCREW (LEFT HAND) M5X20	1	FOR DRILL CHUCK MODEL 10TLR TILL 9.1986
1A	992-077	FLAT HD. SCREW (LEFT HAND) M5X17	1	SINCE 10.1986
2	980-057	CHUCK WRENCH 10TL2	1	
* 3A	950-292	DRILL CHUCK 10TLRA	1	INCLUD.2
* 3A	301-553	DRILL CHUCK 10TLR - N (W/O CHUCK HANDLE)	1	FOR BEL
4	980-843	SPINDLE	1	
5	600-0VV	BALL BEARING 8000VVCMP2S	1	
6	939-540	RETAINING RING FOR D10 SHAFT (10 PCS.)	1	
7A	994-677	METAL D4X6	1	
8	949-423	WASHER M4 (10 PCS.)	1	
9	980-823	SECOND PINION	1	
10A	997-752	METAL	2	
11	981-348	FINAL GEAR	1	
12	982-071	MOTOR	1	
13	992-076	HOUSING (B)	1	
14		NAME PLATE	1	
15	930-446	TAPPING SCREW (W/WASHER) D4X16	5	
16	992-074	MACHINE SCREW (W/WASHERS) M4X25	1	
17	950-565	HITACHI LABEL	1	
18	992-070	HOUSING (A)	1	
19	992-078	SEAL	1	TILL 11.1987
19A	980-834	SEAL	1	SINCE 12.1987
20A	992-080	SWITCH ASS'Y	1	INCLUD.19A
21	980-840	CUSHION (A)	1	
22	980-829	SHIFT SPRING	1	
23	980-828	SHIFT KNOB	1	
24	980-837	KEY HOLDER	1	
25	980-838	HOOK	1	
26	949-554	NUT M4 (10 PCS.)	1	
27	949-201	MACHINE SCREW M3X5 (10 PCS.)	1	
28	949-451	SPRING WASHER M3 (10 PCS.)	1	
29A	992-081	FIN	1	
30	980-833	SWITCH LOCK	1	
31	980-581	BATTERY CASE HOLDER	1	
* 32	980-576Z	BATTERY B - 2 (W/ENGLISH N.P.)	1	
* 32	980-575Z	BATTERY B - 2 (W/GERMAN N.P.)	1	
* 32	980-578Z	BATTERY B - 2 (W/FRENCH N.P.)	1	
* 32	980-579Z	BATTERY B - 2 (W/ENGLISH N.P.)	1	FOR USA
* 32A	980-582	BATTERY B - 2 (W/GERMAN N.P.)	1	FOR SUI
* 32A	980-584	BATTERY B - 2 (W/ENGLISH N.P.)	1	FOR SWE
* 32A	980-583	BATTERY B - 2 (W/ENGLISH N.P.)	1	FOR HOL
* 32A	980-585	BATTERY B - 2 (W/GERMAN N.P.)	1	FOR BEL
* 32A	980-586	BATTERY B - 2 (W/ITALIAN N.P.)	1	FOR ITA
33	992-079	SPACER	1	TILL 11.1987
34	987-135	MARK PLATE	1	

*: ALTERNATIVE PARTS

STANDARD ACCESSORIES

D 10DB

ITEM NO.	CODE NO.	DESCRIPTION	NO. USED	REMARKS
501	955-654	+ DRIVER BIT (A) NO.2 70L	1	
502A		CHARGER (MODEL UC 12Y)	1	

OPTIONAL ACCESSORIES

ITEM NO.	CODE NO.	DESCRIPTION	NO. USED	REMARKS
601	955-657	- DRIVER BIT (A) 3MMX70L	1	
602	955-659	- DRIVER BIT (A) 4MMX70L	1	
603	955-674	- DRIVER BIT (A) 6MMX70L	1	
604	955-655	+ DRIVER BIT (A) NO.3 70L	1	
605	955-670	+ DRIVER BIT (A) NO.1 70L	1	
606	302-361	CASE	1	

*: ALTERNATIVE PARTS

