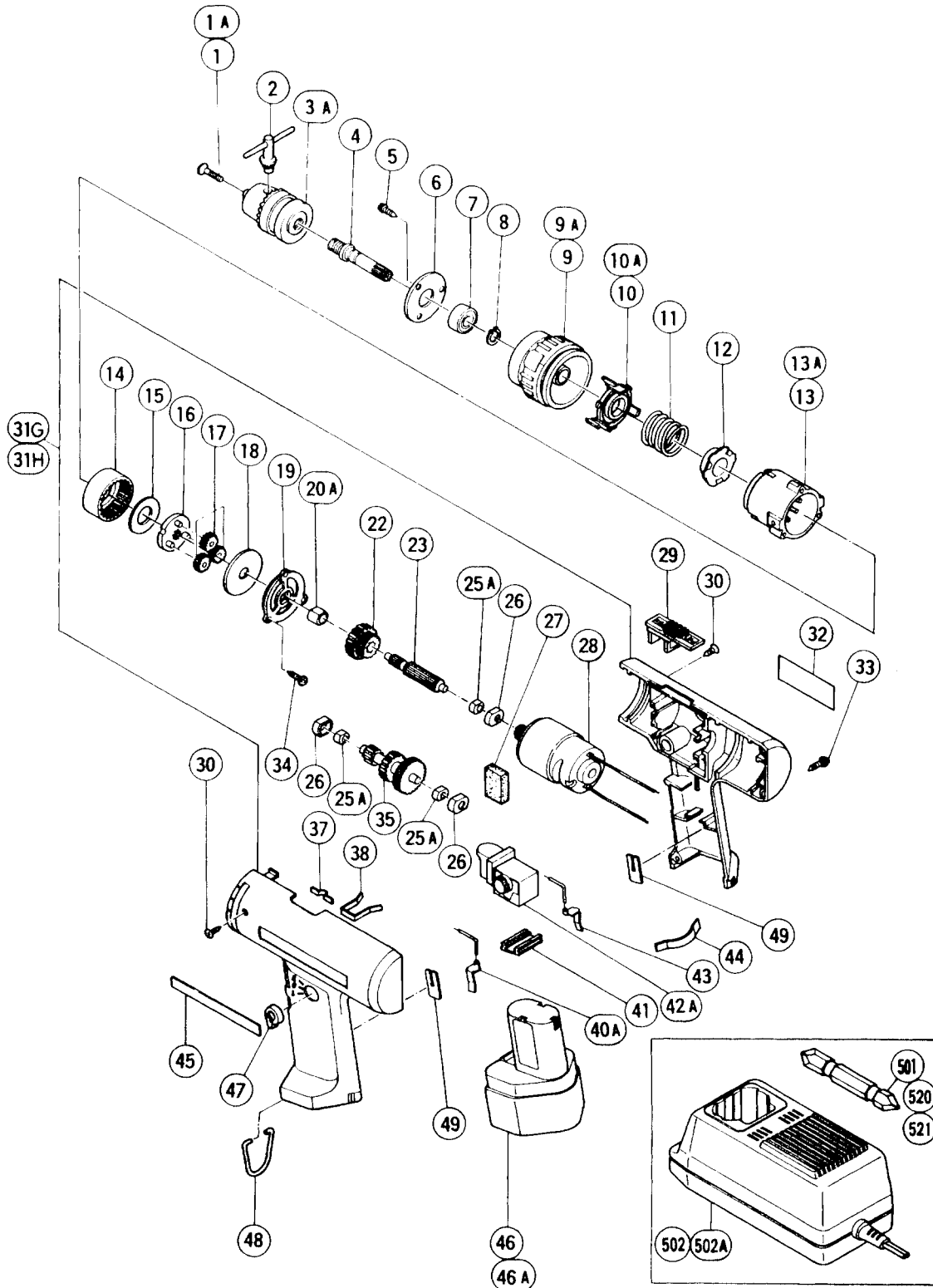


ELECTRIC TOOL PARTS LIST

■ CORDLESS DRIVER DRILL
Model D 10D

1993 · 6 · 30
(E5)



PARTS

D 10D

ITEM NO.	CODE NO.	DESCRIPTION	NO. USED	REMARKS
1	980-838	FLAT HD. SCREW (LEFT HAND) M5X20	1	TILL 9.1986
1A	992-077	FLAT HD. SCREW (LEFT HAND) M5X17	1	SINCE 10.1986
2	980-057	CHUCK WRENCH 10TL2	1	
3A	950-292	DRILL CHUCK 10TLRA	1	INCLUD.2
4	991-652	SPINDLE (B)	1	
5	984-327	TAPPING SCREW (W/SP. WASHER) D3X8	3	
6	991-663	PLATE	1	
7	600-0VV	BALL BEARING 6000VVCMP2S	1	
8	939-540	RETAINING RING FOR D10 SHAFT (10 PCS.)	1	
9	991-662	CAP	1	TILL 10.1984
9A	991-576	CAP	1	SINCE 11.1984
10	991-659	SPRING HOLDER	1	TILL 10.1984
10A	991-575	SPRING HOLDER	1	SINCE 11.1984
11	991-658	SPRING	1	
12	984-308	RATCHET	1	
13	991-661	CASE	1	TILL 10.1984
13A	991-573	CASE	1	SINCE 11.1984
14	991-655	RING GEAR	1	
15	991-657	THRUST PLATE (B)	1	
16	991-654	GEAR HOLDER	1	
17	991-653	IDLE GEAR (3 PCS.)	1	
18	991-656	THRUST PLATE (A)	1	
19	991-660	END BRACKET	1	
20A	954-011	METAL	1	
22	991-649	SECOND GEAR	1	
23	991-651	SPINDLE (A)	1	
25A	997-752	METAL	3	
26	991-650	METAL HOLDER	3	
27	980-572	CUSHION (A)	1	
28	991-647	MOTOR	1	
29	991-664	SHIFT KNOB	1	
30	984-319	PAN HD. TAPPING SCREW D3X8	2	
* 31G	991-675	HOUSING (A).(B) SET	1	INCLUD.27,49
* 31H	995-937	HOUSING (A).(B) SET	1	INCLUD.27,49 FOR USA
32		NAME PLATE	1	
33	991-672	TAPPING SCREW (W/WASHER) D3X16	5	
34	984-328	TAPPING SCREW (W/WASHER) D3X12	3	
35	991-648	SECOND PINION	1	
37	980-829	SHIFT SPRING	1	
38	991-665	KEY HOLDER	1	
40A	995-473	TERMINAL	1	
41	991-666	TERMINAL SUPPORT	1	
42A	302-413	SWITCH (2P SOLDER TYPE) W/O LOCK	1	
43	991-668	TERMINAL	1	
44	991-669	HOUSING CLIP	1	
45	937-838	HITACHI LABEL	1	
* 46	991-642Z	BATTERY EB 9 (W/ENGLISH N.P.)	1	
* 46	991-641Z	BATTERY EB 9 (W/GERMAN N.P.)	1	FOR FRG
* 46	991-643Z	BATTERY EB 9 (W/FRENCH N.P.)	1	FOR FRA
* 46	991-644Z	BATTERY EB 9 (W/ENGLISH N.P.)	1	FOR USA
* 46A	991-681	BATTERY EB 9 (W/ENGLISH N.P.)	1	FOR HOL.DEN.SWE.SUI.NOR

*: ALTERNATIVE PARTS

