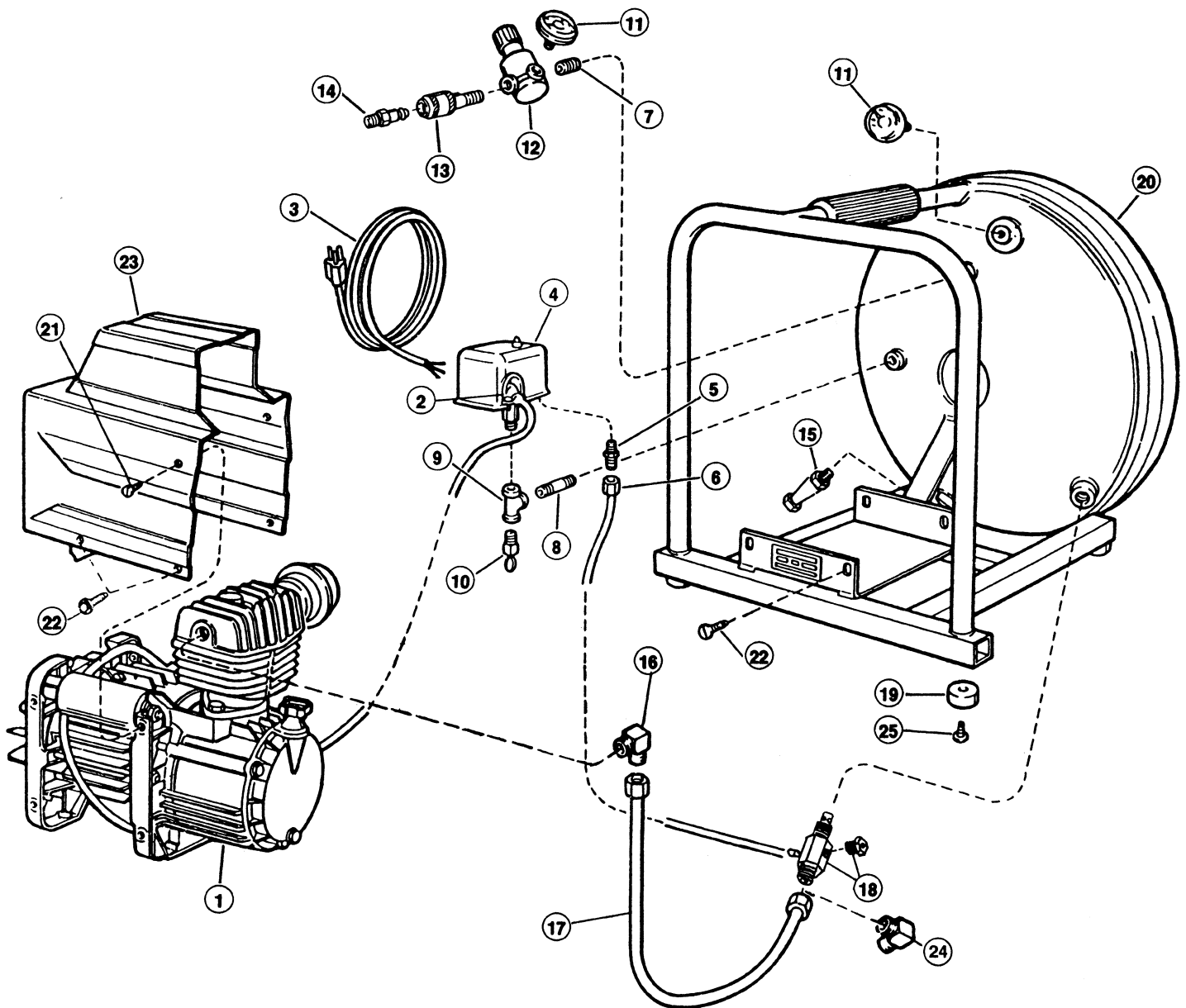


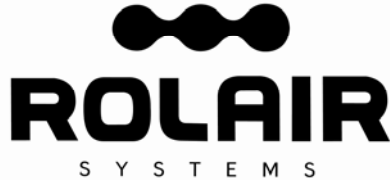


# ROLAIR

## SCHEMATIC FOR MODELS

D075HPV5    D1000LPV5    OD1500LPV5  
D075LPV5    D1500HPV5    OD1500HPV5  
D2002HPV5    D2000HPV5





**ROLAIR SYSTEMS**

606 S. Lake Street, P.O. Box 346  
 Hustisford Wisconsin 53034-0346  
 Phone: 920-349-3281  
 Sales Fax: 920.349.3691  
 Service Fax: 920.349.8861  
[www.rolair.com](http://www.rolair.com)


**PARTS LIST FOR MODELS**

D075HPV5 D1500HPV5 OD1500LPV5  
 D075LPV5 D2000HPV5 OD1500HPV5  
 D1000LPV5 D2002HPV5

| Schematic # | Description                         | Part #                 | Qty.  |
|-------------|-------------------------------------|------------------------|-------|
| 1           | 1 HP Pump Motor – Model D075HPV5    | PMP11MK100FI           | 1     |
|             | 1 HP Pump/Motor – Model D075LPV5    | PMP11MK105FI           | 1     |
|             | 1.5 HP Pump/Motor – Model D1000LPV5 | PMP11MK135FI           | 1     |
|             | 2 HP Pump/Motor – Model D1500HPV5   | PMP11MK200FI           | 1     |
|             | 2 HP Pump/Motor – Model OD1500LPV5* | PMP11MK150FI           | 1     |
|             | 2 HP Pump/Motor – Model OD1500HPV5* | PMP11OL202FI           | 1     |
|             | 2 HP Pump/Motor – Model D2000HPV5   | PMP11MK200PFI**        | 1     |
|             | 2 HP Pump/Motor – Model D2002HPV5   | PMP11MK146FC**         | 1     |
| 2           | Box Connector                       | 160                    | 2     |
| 3           | Cord w/Plug                         | 176                    | 1     |
| 4           | Pressure Switch                     | PS2020M                | 1     |
| 5           | Pressure Switch Relief Valve        | PS2020RV               | 1     |
| 6           | ¼" Nylon Tubing – 15"               | 178D                   | 1.25' |
|             | Brass Nut                           | BRNT0250               | 2     |
|             | Brass Ring                          | BRRG0250               | 2     |
|             | Brass Sleeve                        | BRSL0250               | 2     |
| 7           | Nipple                              | BLNP0250X0875          | 1     |
| 8           | Nipple                              | BLNP0250X1500          | 1     |
| 9           | Tee                                 | BLTE0250               | 1     |
| 10          | Safety Valve                        | SRV0250N165            | 1     |
| 11          | Gauge                               | GA0125200              | 2     |
| 12          | Regulator                           | REG0250M               | 1     |
| 13          | Quick Disconnect                    | 308                    | 1     |
| 14          | Coupler Plug                        | 310                    | 1     |
| 15          | Drain Valve                         | 132B                   | 1     |
| 16          | Brass Elbow                         | BREL0500X037539        | 1     |
|             | Brass Straight - OD1500LPV5* Only   | BRST0500X050038        | 1     |
| 17          | ½" Copper Tube                      | Specify Model/Serial # | 1     |
| 18          | Check Valve                         |                        |       |
|             | D1500HPV5 & OD1500LPV5* Only        | CV4X4TWB               | 1     |
|             | OD1500HPV5* Only                    | CV3X4TWB               | 1     |
|             | All other models                    | CV4X4T                 | 1     |
|             | Bleeder Valve                       | CSV0125                | 1     |
| 19          | Rubber Foot                         | 219B                   | 4     |
| 20          | Tank Assembly                       | Specify Model          | 1     |
| 21          | Screw                               | 014006121F             | 2     |
| 22          | Screw                               | MIS10036               | 4     |
| 23          | Shroud - OD1500LPV5* Only           | 116004006F             | 1     |
|             | OD1500HPV5* Only                    | 116005030F             | 1     |
|             | All other models                    | 199657000F             | 1     |
| 24          | Brass Elbow - OD1500HPV5* Only      | BREL0500X037539        | 1     |
| 25          | Screw                               | MIS10093C              | 4     |

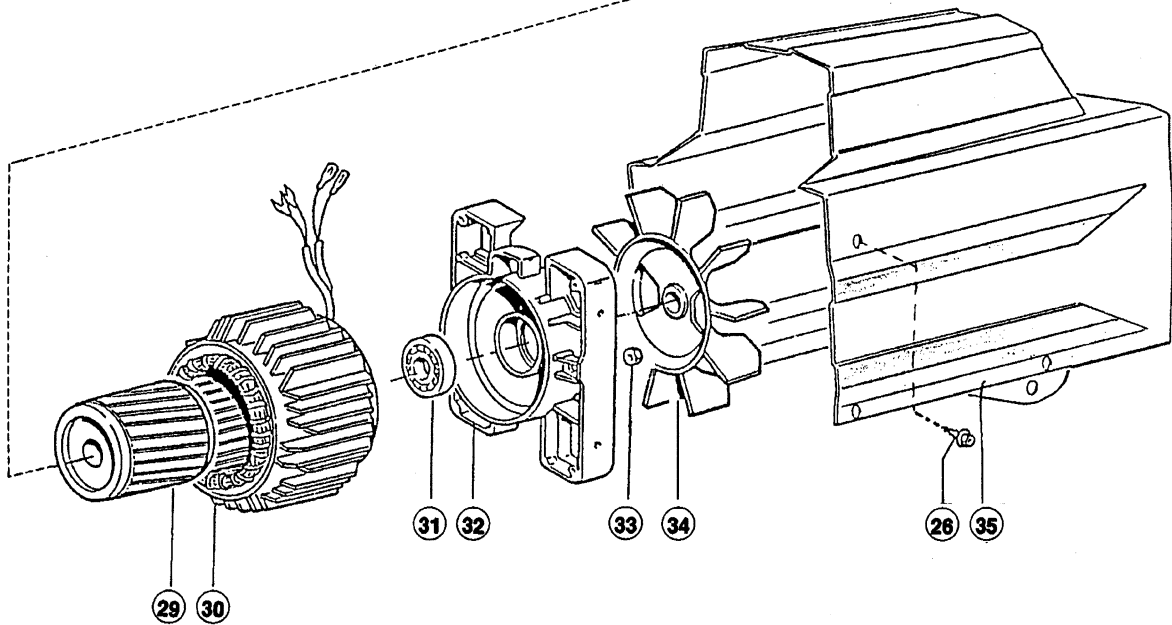
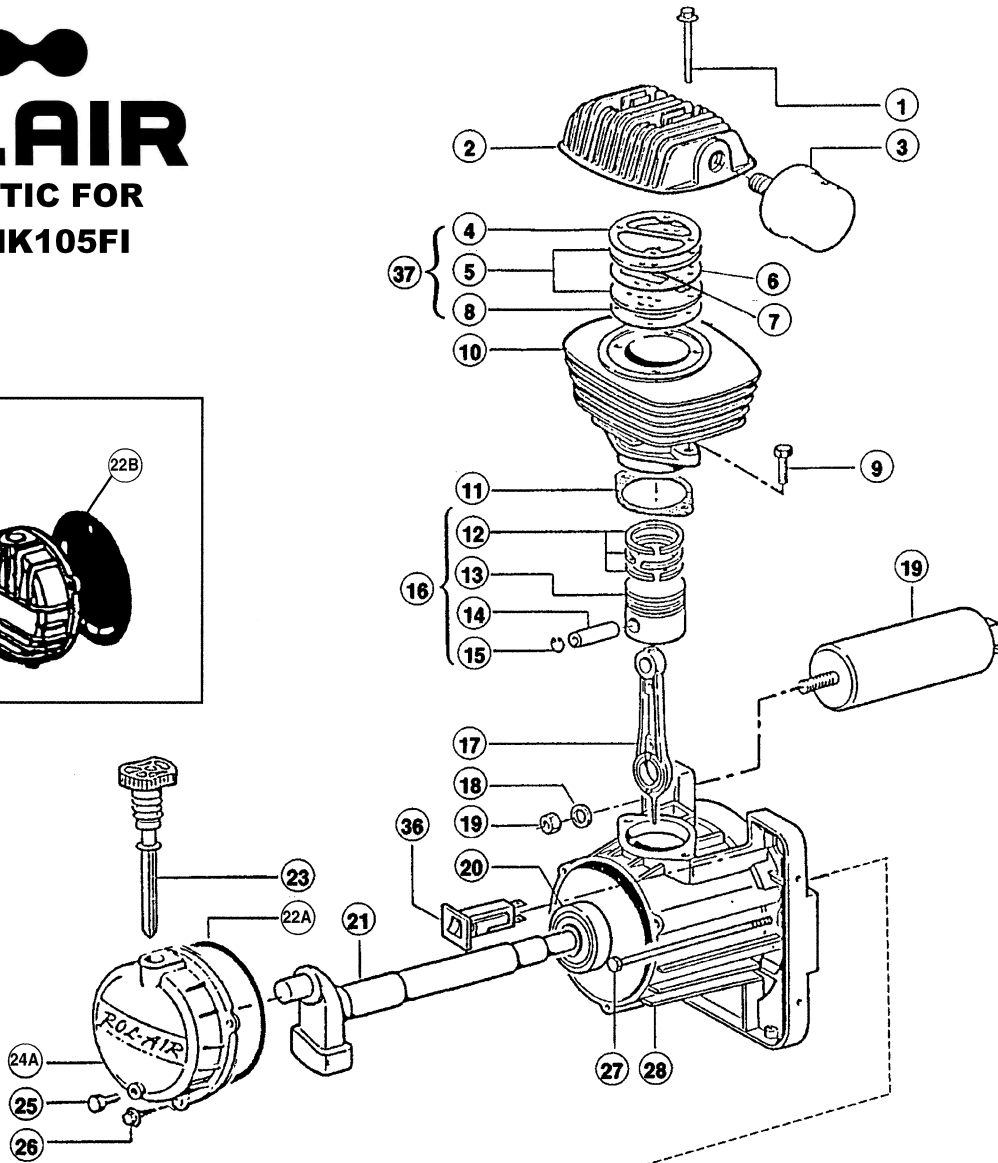
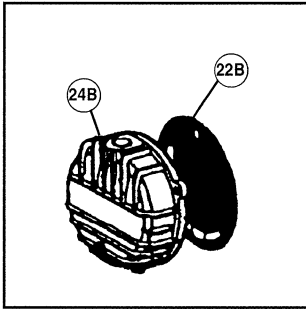
\*Oilless Models

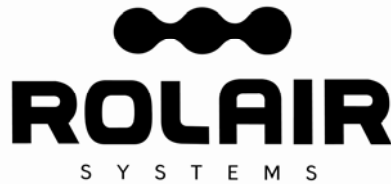
\*\*Location of intake filter is reversed from standard factory position. Please indicate model number when ordering.



# ROLAIR

**SCHEMATIC FOR  
PMP11MK105FI**





**ROLAIR SYSTEMS**

606 S. Lake Street, P.O. Box 346  
Hustisford Wisconsin 53034-0346  
Phone: 920-349-3281  
Sales Fax: 920.349.3691  
Service Fax: 920.349.8861  
[www.rolair.com](http://www.rolair.com)

**PARTS LIST FOR PMP11MK105FI**

| Schematic # | Description            | Part #      | Qty. |
|-------------|------------------------|-------------|------|
| 1           | Bolt                   | 014002021F  | 4    |
| 2           | Head                   | 116001005F  | 1    |
| 3           | Intake Filter Assembly | 317013000F  | 1    |
|             | Filter Element         | 317013004FE | 1    |
| 4           | Gasket                 | 116022009F  | 1    |
| 5           | Valve Plate            | 116022013F  | 2    |
| 6           | Gasket                 | 116022012F  | 1    |
| 7           | Valve                  | 116022038F  | 2    |
| 8           | Gasket                 | 116022010F  | 1    |
| 9           | Bolt                   | MIS10049    | 2    |
| 10          | Cylinder               | 116032060F  | 1    |
| 11          | Gasket                 | 116022029F  | 1    |
| 12          | Ring Set               | 216022002F  | 1    |
| 13          | Piston                 | 116022004F  | 1    |
| 14          | Piston Pin             | 116022040F  | 1    |
| 15          | Snap Ring              | 015001000F  | 2    |
| 16          | Piston Assembly        | 416022004F  | 1    |
| 17          | Connecting Rod         | 116091021F  | 1    |
| 18          | Washer                 | 014005006F  | 1    |
| 19          | Capacitor              | 009200026F  | 1    |
| 20          | Bearing                | 033018000F  | 1    |
| 21          | Crankshaft             | 116032006F  | 1    |
| 22A         | O-Ring                 | 010013000F  | 1    |
| 22B         | Diaphragm              | 116001025F  | 1    |
| 23          | Dipstick               | 012035000F  | 1    |
| 24A         | Crankcase Cover        | 116022006F  | 1    |
| 24B         | Crankcase Cover*       | N.L.A.      | 1    |
| 25          | Drain Plug             | 014013024F  | 1    |
| 26          | Screw                  | 014006121F  | 5    |
| 27          | Bolt                   | 116011038F  | 2    |
| 28          | Motor Housing          | 116022051F  | 1    |
| 29          | Rotor                  | 116022026F  | 1    |
| 30          | Stator                 | 416053641F  | 1    |
| 31          | Bearing                | 033005000F  | 1    |
| 32          | End Bell               | 116011002F  | 1    |
| 33          | Nut                    | 014003002F  | 2    |
| 34          | Fan                    | 116001003F  | 1    |
| 35          | Shroud                 | 199657000F  | 1    |
| 36          | Manual Reset Button    | 008017000F  | 1    |
| 37          | Valve Plate Assembly   | 116022100F  | 1    |
|             | Gasket Set             | 216032001F  | 1    |

\*Use 116022006F cover and 1160012025F diaphragm