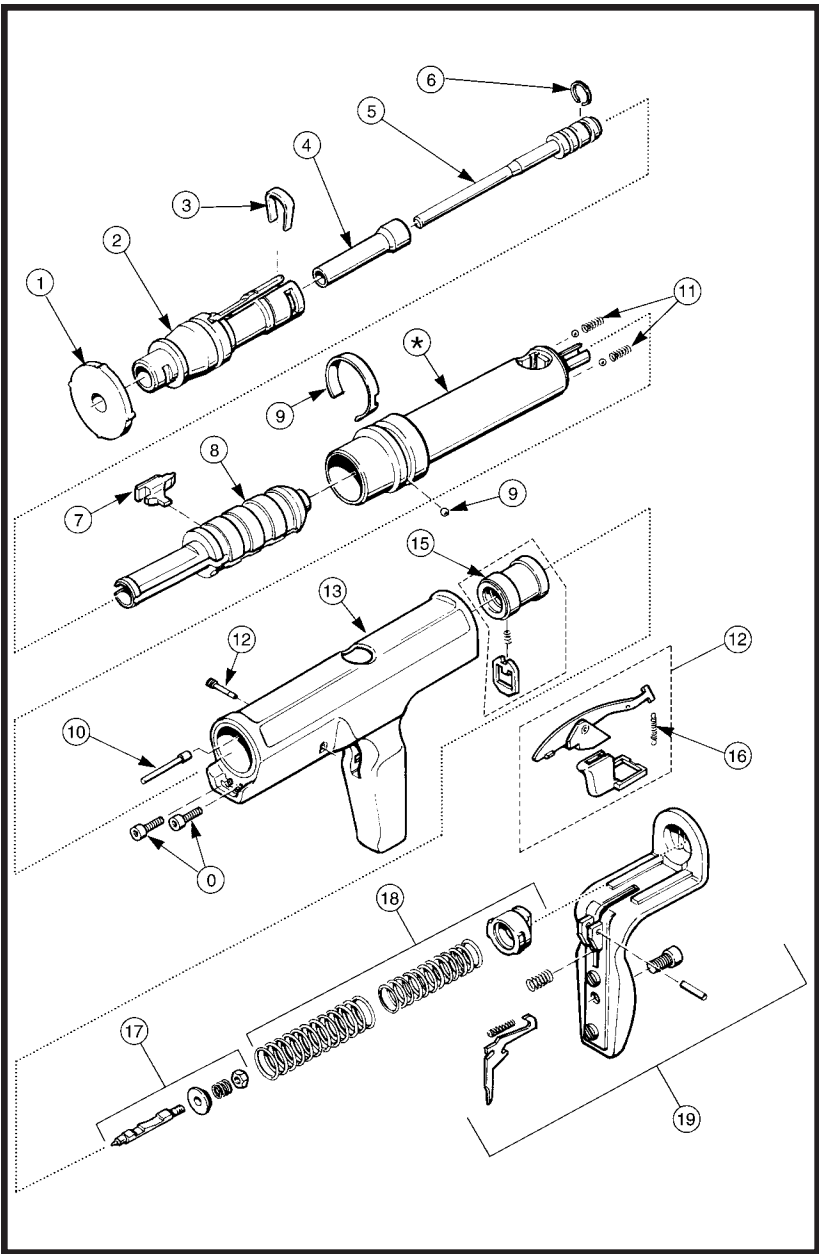


# PARTS SCHEMATIC



# PARTS SCHEMATIC

---

## PARTS LIST / MAINTENANCE

### COBRA TOOL PARTS LIST

KEY	PART NO.	DESCRIPTION
1	SC301500	SPALL GUARD
2	SC301009	FRONT BARREL (BASEPLATE)
3	SC301011A	SHEAR CLIP (PKG. OF 3)
4	SC301010	FASTENER GUIDE
5	SC301200A	PISTON ASSEMBLY
6	SC301208	PISTON RING
7	SC301012	PAWL (STOP)
8	SC301006	REAR BARREL (PISTON SLEEVE)
9	SC301014A	BARREL RETENTION ASSEMBLY
10	SC301016	PUSH PIN
11	SC301046A	DETENT BALL ASSEMBLY
12	SC301034A	TRIGGER ASSEMBLY AND PIN
13	SC301001	TOOL BODY
14	SC301113	BOLT (2)
15	SC301300A	SEAR HOLDER ASSEMBLY
16	SC301531	SPRING, ADVANCE BAR
17	SC301400	FIRING PIN ASSEMBLY
18	SC301026A	FIRING PIN SPRING ASSEMBLY
19	SC301600	HANDLE ASSEMBLY

---

### MAINTENANCE

**IMPROPERLY MAINTAINED TOOLS CAN CAUSE SERIOUS INJURIES  
TO TOOL OPERATORS AND BYSTANDERS  
CLEAN TOOL DAILY**

Always make sure tool is not loaded before performing any service or repair and always wear safety goggles when cleaning or servicing the tool.

#### NORMAL CLEANING

All front end parts shown in the disassembly section are to be cleaned daily with a good detergent oil and wire brush. Remove all dirt and carbon buildup and wipe parts dry with a clean rag. Check all parts for wear or damage before reassembly and replace or repair any worn or damaged parts.

#### COMPLETE CLEANING / GENERAL MAINTENANCE

Heavy or constant exposure to dirt and debris may require that the tool be cleaned more extensively. Complete disassembly and cleaning of all parts may be necessary to restore the tool to normal operation. General maintenance should be performed every six months or more often if the tool is subjected to heavy use. Contact your authorized Ramset Distributor for assistance.

**ALWAYS FUNCTION TEST THE TOOL AFTER PERFORMING ANY  
SERVICE. SEE PAGE 9 FOR DETAILS ON THE FUNCTION TEST.**

---

## PARTS LIST / MAINTENANCE