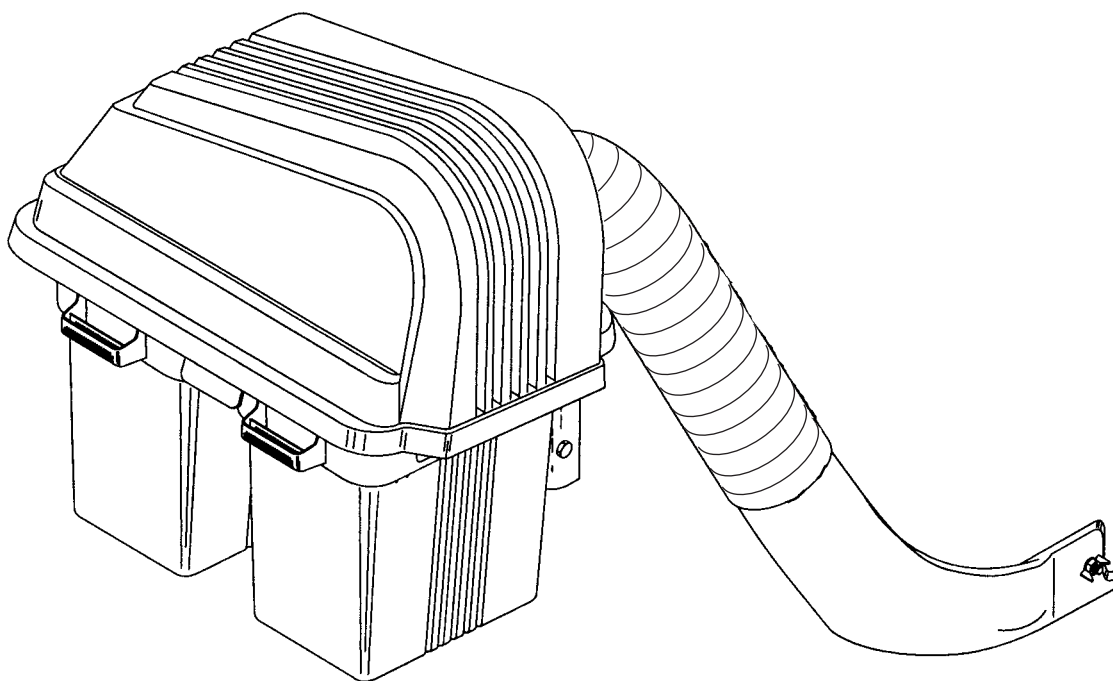


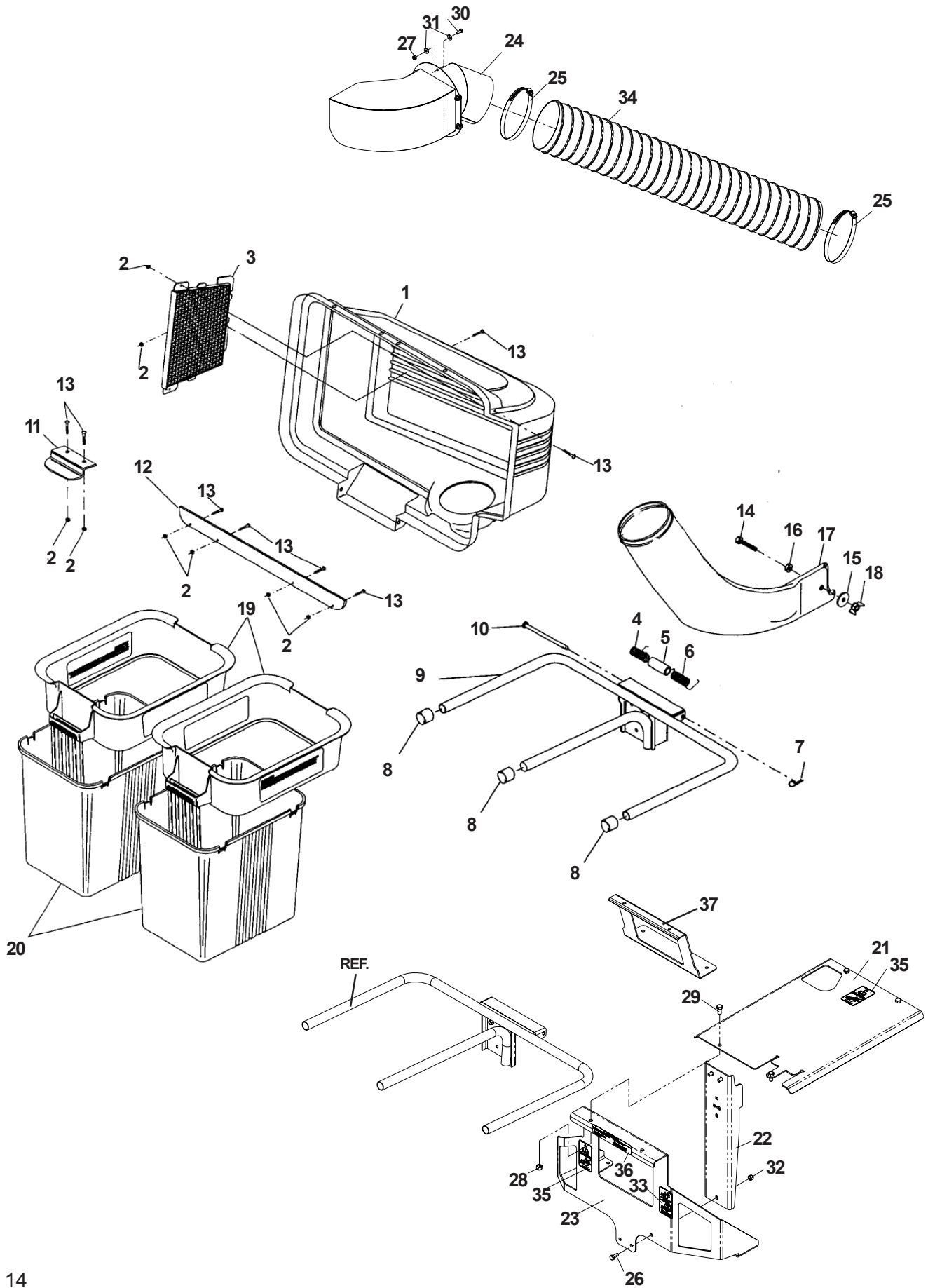
Parts Manual

For
38 Inch Consumer Z
Grass Catcher



Model:
110163 / CZ38

PARTS



PARTS

ITEM	PART NO.	QTY.	DESCRIPTION
1	539111139	1	COVER ASSEMBLY, COMPLETE (INCLUDES ITEM 2 THRU 13)
2	532063180	10	NUT, 3/10-24, CROWN LOCK
3	532127533	1	SCREEN, COVER
4	532132796	1	SPRING, COVER, L.H.
5	532133235	1	SPACER, COVER
6	532132983	1	SPRING, COVER R.H.
7	532124670	1	SPRING, RETAINER
8	532174083	3	PLUG, TUBING END
9	532179746	1	BAGGER, FRAME
10	532128600	1	PIN, HINGE
11	532130895	1	LATCH HANDLE, COVER
12	532155042	1	STRIP, REINFORCEMENT
13	871161010	10	SCREW #10-24 X 5/8
14	874930620	1	BOLT, 3/8-16 X 1 1/4
15	819131616	1	WASHER, 13/32
16	873750600	1	LOCKNUT, 3/8-16
17	539111005	1	LOWER CHUTE
18	532135651	1	WINGNUT, 3/8-16
19	532129585	1	CONTAINER, TOP
20	532129586	1	CONTAINER, BOTTOM
21	539111003	1	PLATE W/DECAL
22	539110997	1	HANGER
23	539109930	1	REAR BRACKET W/DECALS
24	539110992	1	INLET
25	539097076	2	HOSE CLAMP, 6" TO 7"
26	539976934	2	HCS, 5/16-18 X 3/4
27	539976978	6	NUT, 1/4-20, NYLOC
28	539976979	4	NUT, 3/8-16, NYLOC
29	539990134	4	HCS, 3/8-16 X 3/4
30	539990580	6	HCS, 1/4-20 X 3/4
31	539990598	12	WASHER, 1/4
32	539990717	2	NUT, 5/16-18, NYLOC
33	539109929	1	DECAL, PAYLOAD/GASOLINE
34	539110994	1	HOSE
35	539109927	2	DECAL, UTILITY BOX WARNING
36	539109928	1	DECAL, UTILITY BOX PAYLOAD
37	539110052	1	FRONT BRACKET
	EHP#138497	2	HIGH LIFT BLADE (NOT SHOWN)
	539976988	4	HAIRPIN (NOT SHOWN)
	539977703	4	CLEVIS PIN (NOT SHOWN)