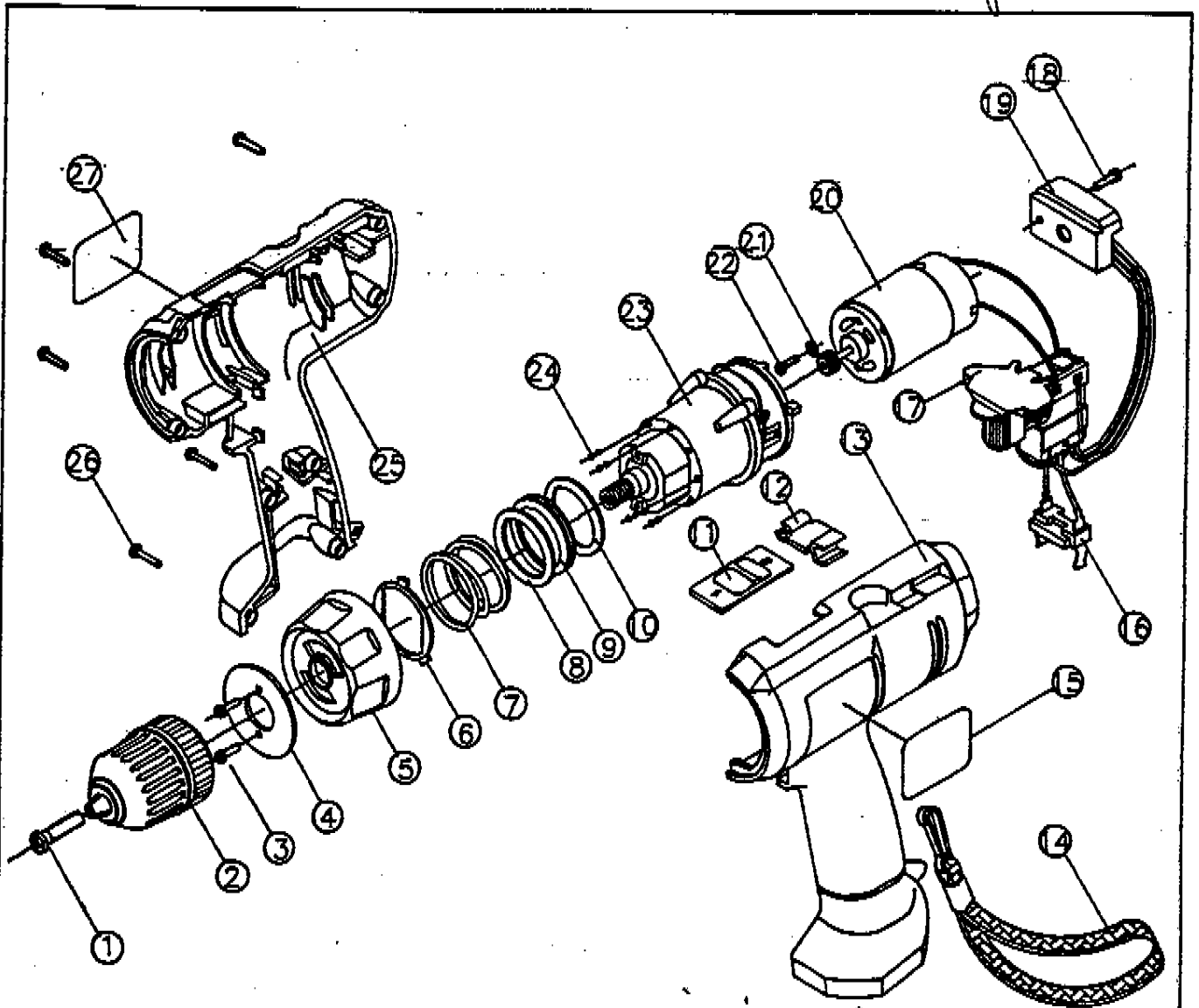




# 9.6 V VSR CORDLESS DRILL KIT

**CTH962K** *Discontinued - Parts only available*



*Fuses 250V 500 Milliamp (Charger)*

