

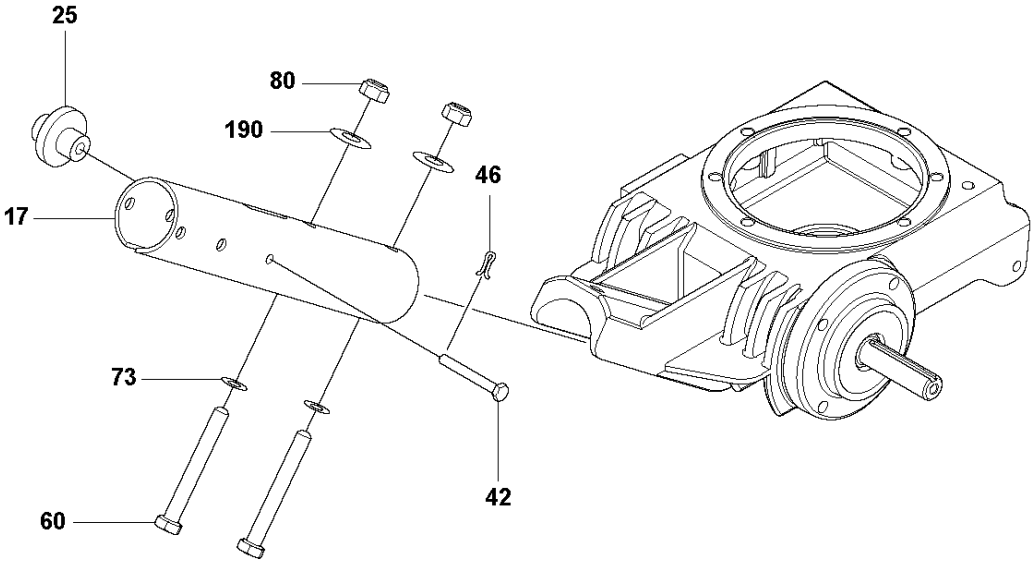


SPARE PARTS LIST

TROWELS

CT 48, 2021-12

A CT48
HANDLE, LOWER

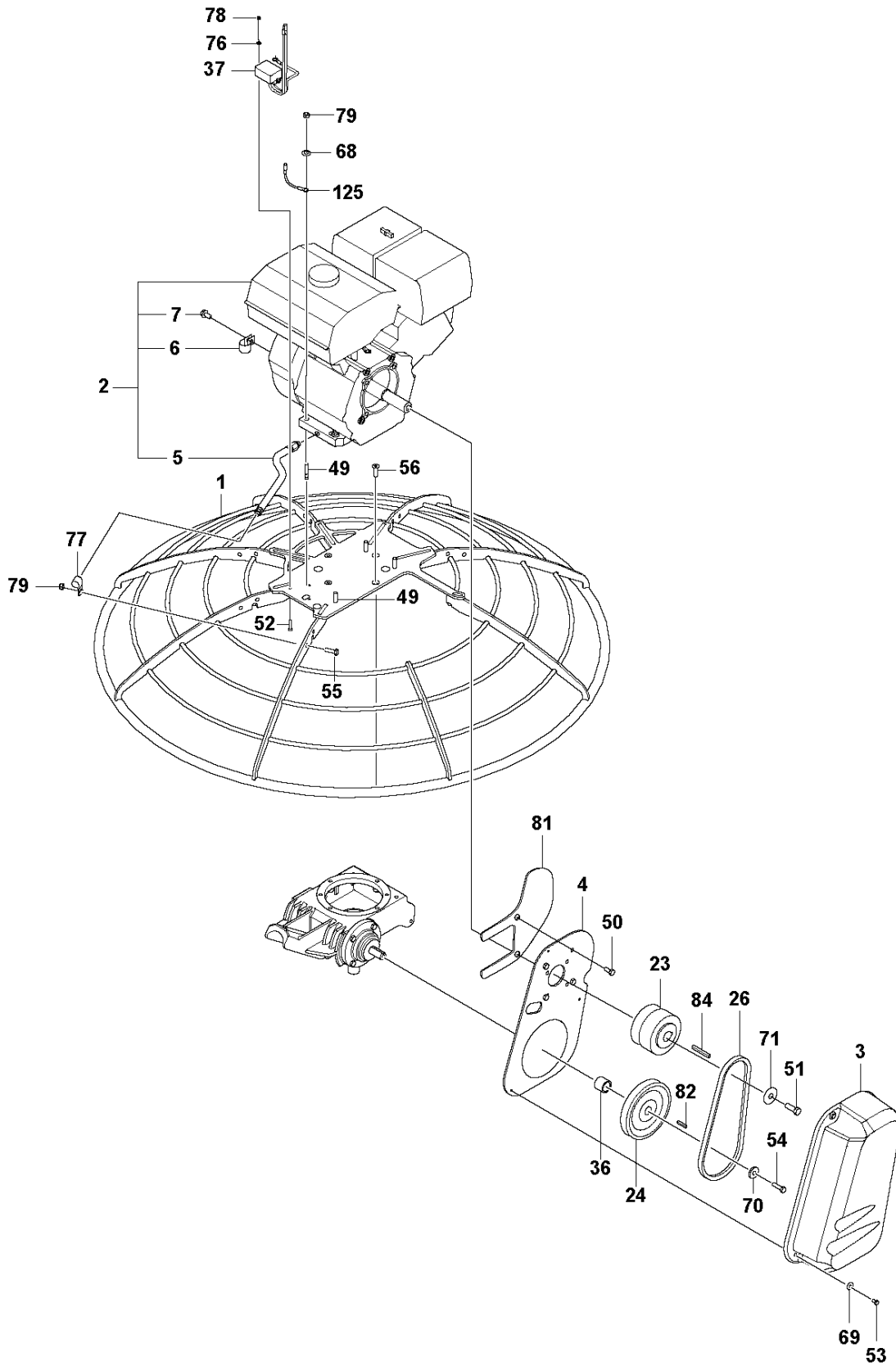


HANDLE, LOWER

CT 48, 2021-12

Ref	Part No	Description	Remark	QTY KIT
17	599 00 24-01	PIPE		1
25	599 17 15-01	PULLEY		1
42	599 16 80-01	PIN	Clevis pin 1/4"x2-3/8" Zn	1
46	599 16 35-01	PIN	Cotter pin 0.073"x1-3/16" Zn	1
60	599 16 04-01	SCREW	M10x85 49Nm/36ft.lbs	2
73	734 11 72-01	WASHER	M10 ISO 7089 200HV ZPB	2
80	732 25 20-01	HEXAGON LOCKING NUT	M10 ISO 7040 8 ZPB	2
190	734 11 74-41	WASHER	M10 ISO 7093 ZPB	2

B CT48
DRIVE, CT48-8A, HONDA GX 240

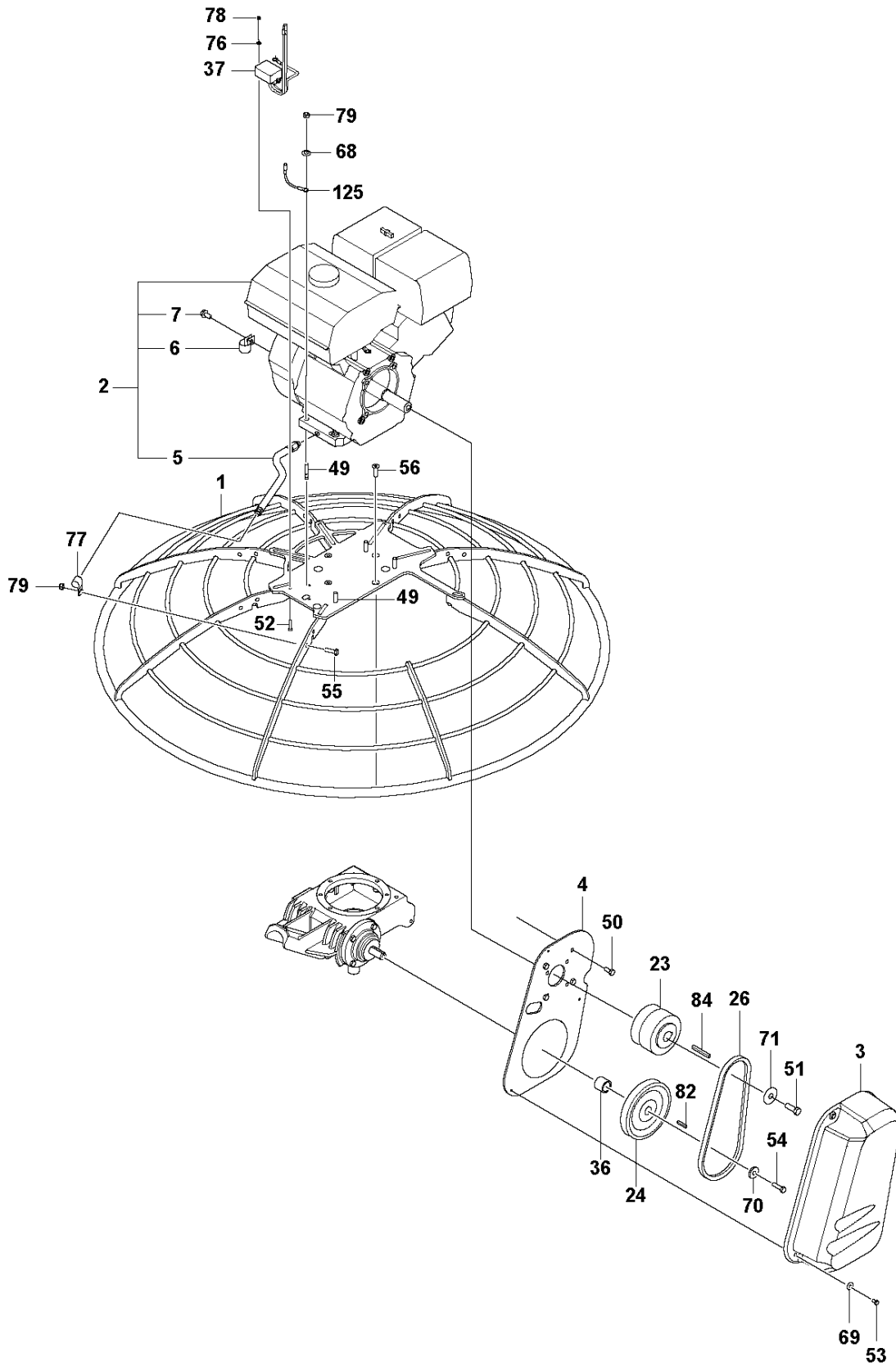


DRIVE

CT 48, 2021-12

Ref	Part No	Description	Remark	QTY	KIT
1	599 08 35-01	RING		1	
2	531 01 43-01	ENGINE KIT	GX240UT2 QWC NH1	1	
3	599 13 15-02	BELT GUARD		1	
4	599 00 82-01	PLATE		1	
5	599 01 81-01	FITTING		1	2
6	599 16 64-01	CLAMP		1	2
7	725 23 64-61	SCREW EHHFT	M6x10 EN 1665 8.8 ZPB	1	2
23	598 98 70-01	CLUTCH		1	
24	599 00 54-01	PULLEY		1	
26	598 98 96-01	BELT	A29	1	
36	599 00 76-01	SPACER		1	
37	599 06 98-01	CONTROL		1	
49	599 17 02-01	STUD		4	
50	542 02 03-14	SCREW	HHCS 5/16"-24x3/4" GR5 Zn 25Nm/18ft.lbs	4	
51	599 17 16-01	SCREW		1	
52	725 22 95-71	SCREW EHHM	M4x20 ISO 4017 8.8 ZPB	2	
53	725 23 66-71	SCREW EHHM	M6x12 ISO 4017 8.8 ZPB	3	
54	725 24 55-71	SCREW EHHM	M8x30 ISO 4017 8.8 ZPB	1	
55	725 24 55-71	SCREW EHHM	M8x30 ISO 4017 8.8 ZPB	1	
56	725 64 55-01	SCREW IHCSFM	M8x30 ISO 10642 8.8 ZPB	4	
68	734 11 65-41	WASHER	M8 ISO 7093 ZPB	4	
69	734 11 54-41	WASHER	M6 ISO 7093 ZPB	3	
70	599 17 64-01	WASHER		1	
71	599 17 20-01	WASHER		1	
76	734 11 46-01	WASHER	M5 ISO 7089 200HV ZPB	2	
77	542 16 66-76	CLAMP		1	
78	542 16 74-85	LOCK NUT	M4 Locknut, fiber	2	
79	732 25 18-01	HEXAGON LOCKING NUT	M8 ISO 7040 8 ZPB	5	
81	599 01 16-01	PLATE		1	
82	541 40 04-48	KEY	3/16"x3/16"x1"	1	
84	599 17 68-01	KEY	1/4"x1/4"x2-3/16"	1	
125	599 02 75-01	WIRING		1	

C CT48
DRIVE, CT48-11A, HONDA GX 340

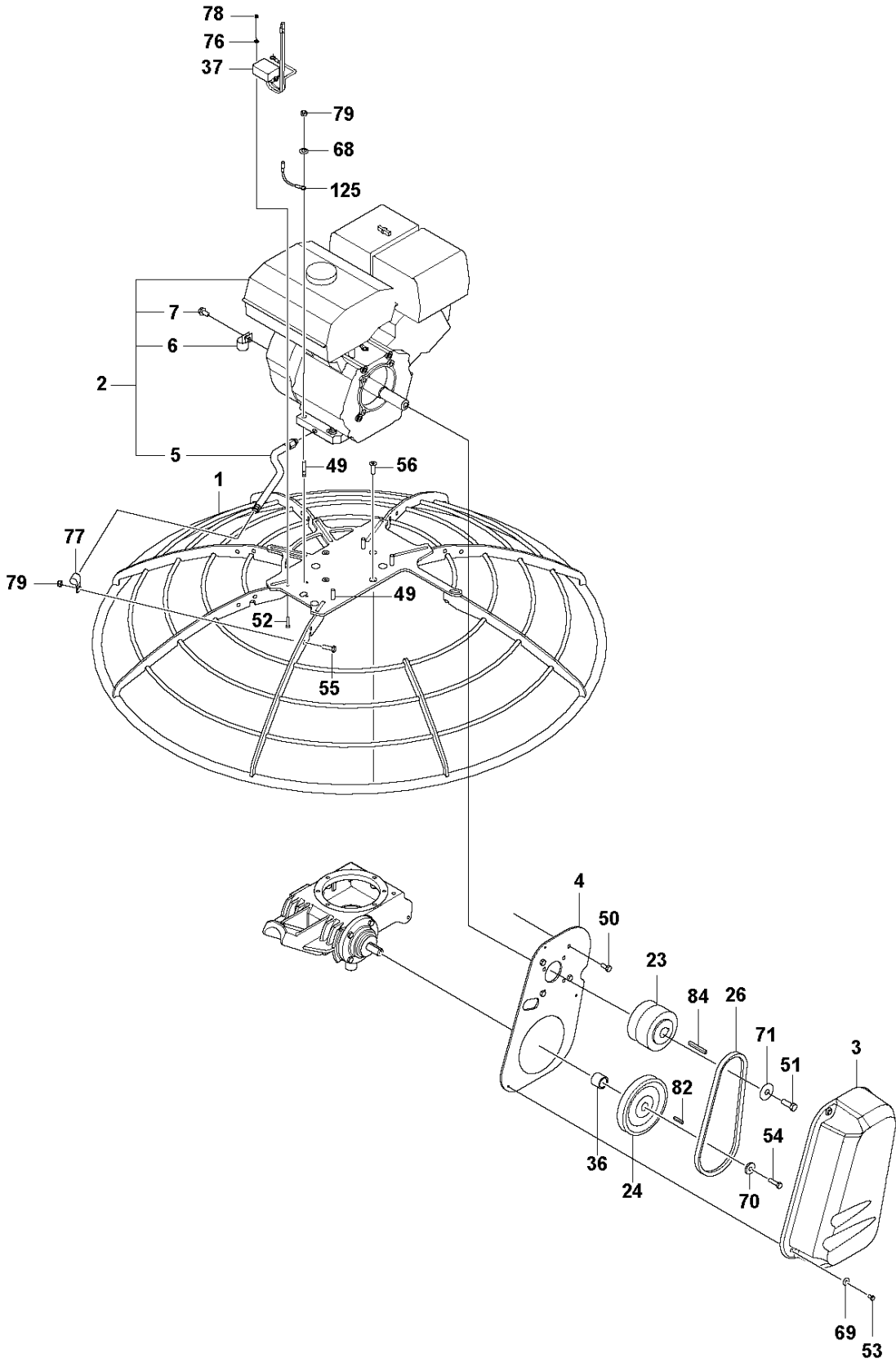


DRIVE

CT 48, 2021-12

Ref	Part No	Description	Remark	QTY	KIT
1	599 08 35-01	RING		1	
2	599 33 15-01	ENGINE	GX340UT2 QWC	1	
3	599 13 15-02	BELT GUARD		1	
4	599 00 82-01	PLATE		1	
5	599 01 81-01	FITTING		1	2
6	599 16 64-01	CLAMP		1	2
7	725 23 64-61	SCREW EHHFT	M6x10 EN 1665 8.8 ZPB	1	2
23	598 98 70-01	CLUTCH		1	
24	599 00 54-01	PULLEY		1	
26	598 98 96-01	BELT	B29	1	
36	599 00 76-01	SPACER		1	
37	599 06 98-01	CONTROL		1	
49	599 17 02-01	STUD		4	
50	542 02 03-14	SCREW	HHCS 5/16"-24x3/4" GR5 Zn 25Nm/18ft.lbs	4	
51	542 16 81-33	SCREW	HHCS 3/8"-24 UNFx1" GR5 Zn	1	
52	725 22 95-71	SCREW EHHM	M4x20 ISO 4017 8.8 ZPB	2	
53	725 23 66-71	SCREW EHHM	M6x12 ISO 4017 8.8 ZPB	3	
54	725 24 55-71	SCREW EHHM	M8x30 ISO 4017 8.8 ZPB	1	
55	725 24 55-71	SCREW EHHM	M8x30 ISO 4017 8.8 ZPB	1	
56	725 64 55-01	SCREW IHCSFM	M8x30 ISO 10642 8.8 ZPB	4	
68	734 11 65-41	WASHER	M8 ISO 7093 ZPB	4	
69	734 11 54-41	WASHER	M6 ISO 7093 ZPB	3	
70	599 17 64-01	WASHER		1	
71	599 16 60-01	WASHER		1	
76	734 11 46-01	WASHER	M5 ISO 7089 200HV ZPB	2	
77	542 16 66-76	CLAMP		1	
78	542 16 74-85	LOCK NUT	M4 Locknut, fiber	2	
79	732 25 18-01	HEXAGON LOCKING NUT	M8 ISO 7040 8 ZPB	5	
82	599 17 00-01	KEY	3/16"x3/16"x7/8"	1	
84	599 17 68-01	KEY	1/4"x1/4"x2-3/16"	1	
125	599 02 75-01	WIRING		1	

D CT48
DRIVE, CT48-13A, HONDA GX 390

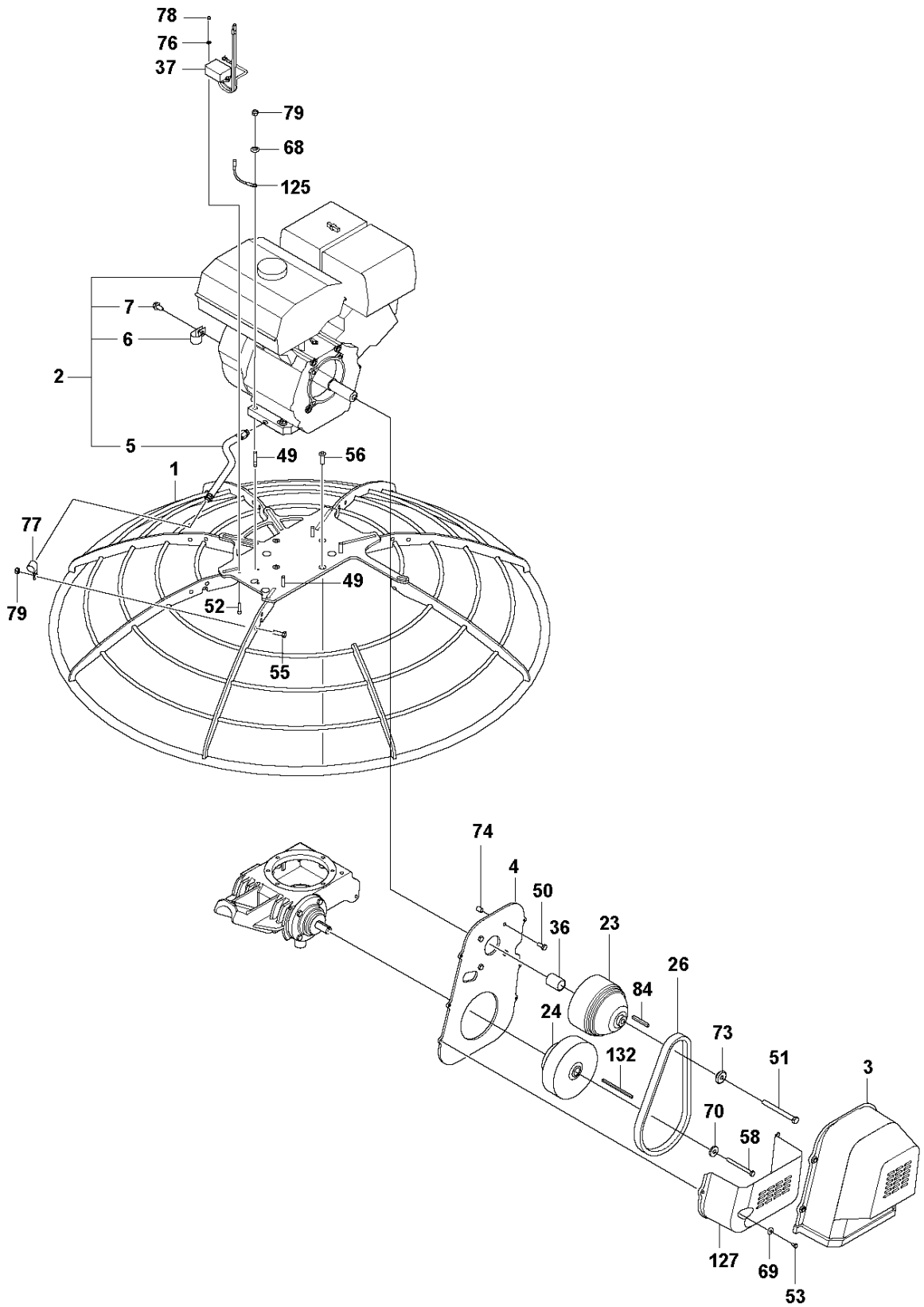


DRIVE

CT 48, 2021-12

Ref	Part No	Description	Remark	QTY	KIT
1	599 08 35-01	RING		1	
2	599 41 83-01	ENGINE	GX390UT2 QWC	1	
3	599 13 15-02	BELT GUARD		1	
4	599 00 82-01	PLATE		1	
5	599 01 81-01	FITTING		1	2
6	599 16 64-01	CLAMP		1	2
7	725 23 64-61	SCREW EHHFT	M6x10 EN 1665 8.8 ZPB	1	2
23	598 98 70-01	CLUTCH		1	
24	599 00 54-01	PULLEY		1	
26	598 98 96-01	BELT	B29	1	
36	599 00 76-01	SPACER		1	
37	599 06 98-01	CONTROL		1	
49	599 17 02-01	STUD		4	
50	542 02 03-14	SCREW	HHCS 5/16"-24x3/4" GR5 Zn 25Nm/18ft.lbs	4	
51	542 16 81-33	SCREW	HHCS 3/8"-24 UNFx1" GR5 Zn	1	
52	725 22 95-71	SCREW EHHM	M4x20 ISO 4017 8.8 ZPB	2	
53	725 23 66-71	SCREW EHHM	M6x12 ISO 4017 8.8 ZPB	3	
54	725 24 55-71	SCREW EHHM	M8x30 ISO 4017 8.8 ZPB	1	
55	725 24 55-71	SCREW EHHM	M8x30 ISO 4017 8.8 ZPB	1	
56	725 64 55-01	SCREW IHCSFM	M8x30 ISO 10642 8.8 ZPB	4	
68	734 11 65-41	WASHER	M8 ISO 7093 ZPB	4	
69	734 11 54-41	WASHER	M6 ISO 7093 ZPB	3	
70	599 17 64-01	WASHER		1	
71	599 16 60-01	WASHER		1	
76	734 11 46-01	WASHER	M5 ISO 7089 200HV ZPB	2	
77	542 16 66-76	CLAMP		1	
78	542 16 74-85	LOCK NUT	M4 Locknut, fiber	2	
79	732 25 18-01	HEXAGON LOCKING NUT	M8 ISO 7040 8 ZPB	5	
82	599 17 00-01	KEY	3/16"x3/16"x7/8"	1	
84	599 17 68-01	KEY	1/4"x1/4"x2-3/16"	1	
125	599 02 75-01	WIRING		1	

E CT48
DRIVE, CT48-13A-V, HONDA GX 390

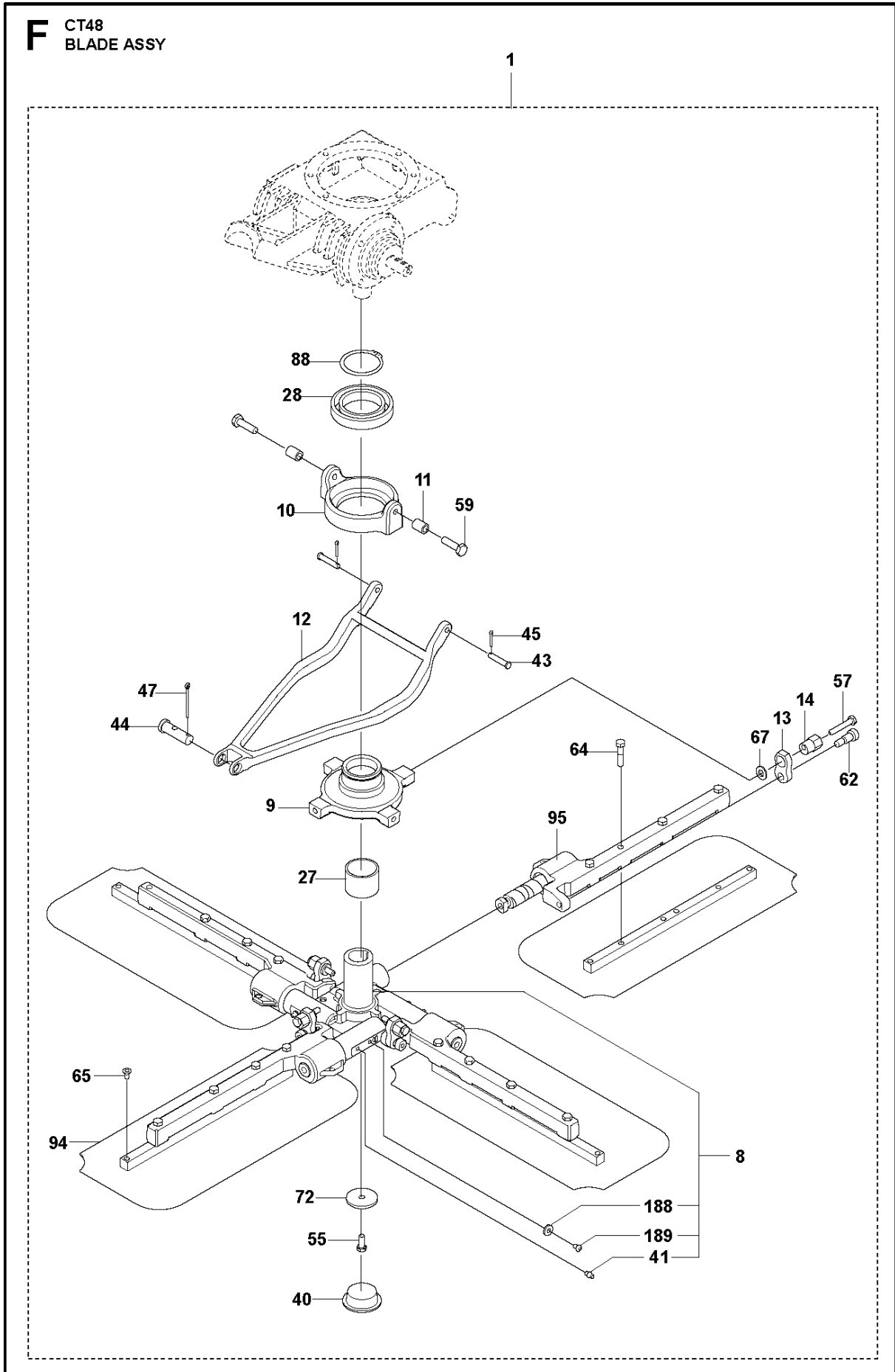


DRIVE

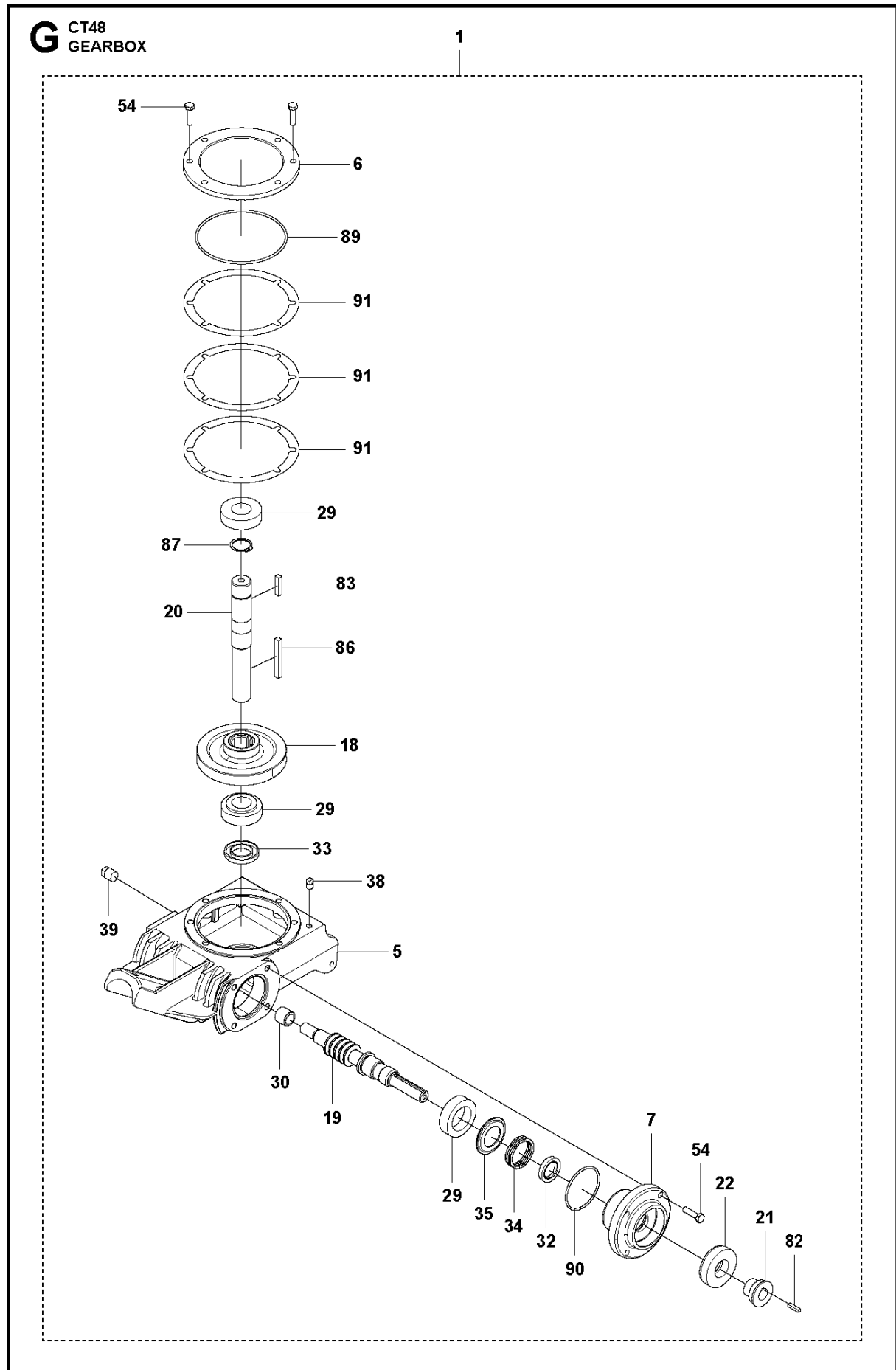
CT 48, 2021-12

Ref	Part No	Description	Remark	QTY	KIT
1	599 08 36-01	RING		1	
2	599 41 83-01	ENGINE		1	
3	599 13 16-02	BELT GUARD		1	
4	599 06 37-01	PLATE		1	
5	599 01 81-01	FITTING		1	2
6	599 16 64-01	CLAMP		1	2
7	725 23 64-61	SCREW EHHFT	M6x10 EN 1665 8.8 ZPB	1	2
23	599 06 33-01	CLUTCH		1	
24	599 06 34-01	CLUTCH		1	
26	599 06 26-01	BELT		1	
36	599 06 32-01	SPACER		1	
37	599 06 98-01	CONTROL		1	
49	599 17 02-01	STUD		4	
50	505 82 16-01	BOLT	HHCS 7/16"-20x1-1/4" GR5 Zn	4	
51	599 17 48-01	BOLT	7/16"-20x1-1/4" GR5 Zn	1	
52	725 22 95-71	SCREW EHHM	M4x20 ISO 4017 8.8 ZPB	2	
53	725 23 66-71	SCREW EHHM	M6x12 ISO 4017 8.8 ZPB	6	
55	725 24 55-71	SCREW EHHM	M8x30 ISO 4017 8.8 ZPB	1	
56	725 64 55-01	SCREW IHCSFM	M8x30 ISO 10642 8.8 ZPB	4	
58	725 24 66-51	SCREW	M8x75 ISO 4017 8.8	1	
68	734 11 65-41	WASHER	M8 ISO 7093 ZPB	4	
69	734 11 54-41	WASHER	M6 ISO 7093 ZPB	6	
70	599 06 35-01	WASHER		1	
74	599 06 31-01	SPACER		4	
73	734 11 72-01	WASHER	M10 ISO 7089 200HV ZPB	1	
76	734 11 46-01	WASHER	M5 ISO 7089 200HV ZPB	2	
77	542 16 66-76	CLAMP		1	
78	542 16 74-85	LOCK NUT	M4 Locknut, fiber	2	
79	732 25 18-01	HEXAGON LOCKING NUT	M8 ISO 7040 8 ZPB	4	
84	599 17 49-01	KEY	3/16"x1/4"x2"	1	
125	599 02 75-01	WIRING		1	
127	599 15 96-02	BELT GUARD		1	
132	599 17 50-01	KEY	3/16"x3/16"x3.7"	1	

F CT48
BLADE ASSY



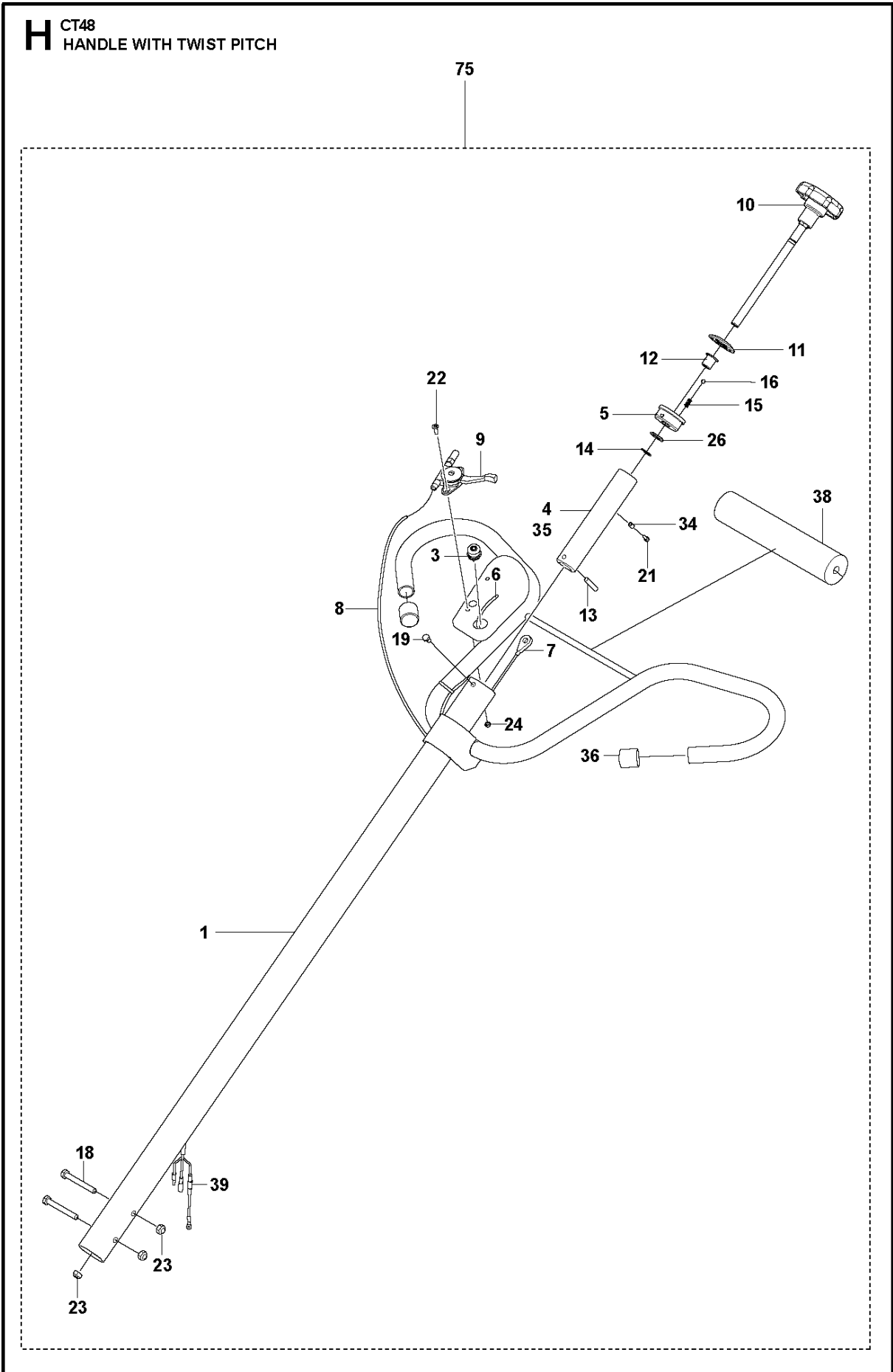
Ref	Part No	Description	Remark	QTY KIT	
1	536 01 79-01	UNIT		1	
8	599 41 81-01	KIT	Spider kit	1	1
9	599 04 07-01	RING		1	1
10	598 99 63-01	HOLDER		1	1
11	599 04 81-01	TUBE		2	1
12	599 00 07-01	YOKE		1	1
13	599 01 14-01	LINK		4	1
14	599 01 09-01	EXCENTER		4	1
27	598 98 72-01	BEARING		1	1
28	598 99 67-01	BEARING	6012 2NSE/C3	1	1
40	598 98 73-01	PLUG		1	1
41	599 17 66-01	FITTING	AM6 DIN 71412	4	1,8
43	599 16 31-01	PIN	Clevis pin 5/16"x1-1/2" Zn	2	1
44	599 16 86-01	PIN		1	1
45	521 97 35-39	ACCESSORIES	Cotter pin 1/8"x3/4" Zn	2	1
47	539 99 00-42	PIN	Cotter pin 1/8"x1-1/4" Zn	1	1
55	725 24 53-71	SCREW EHHM	M8x25 ISO 4017 8.8 A2K	1	1
57	599 16 59-01	SCREW	M8x45 ISO 4014 10.9	4	1
59	599 17 34-01	SCREW	M10x25 12.9	2	1
62	599 16 97-01	SCREW		4	1
64	574 89 20-05	BOLT	HHCS 5/16"-18UNCx1-3/4" GR5 Unplated	8	1
65	599 16 34-01	PLUG	PLUG-CAP #1,TAPERED,PLASTC,RE D	4	1
67	734 11 65-41	WASHER	M8 ISO 7093 ZPB	4	1
72	599 16 29-01	WASHER		1	1
88	599 16 23-01	RETAINER RING	D60 DIN 471	1	1
94	598 92 98-02	BLADE SET	48" Set of combo blades, 4 pcs.	1	1
95	599 41 48-01	MOUNT		4	1
188	576 82 31-01	WASHER		4	1,8
189	599 17 42-01	SCREW	M6x8 10.9 HX SOC	4	1,8



GEARBOX

CT 48, 2021-12

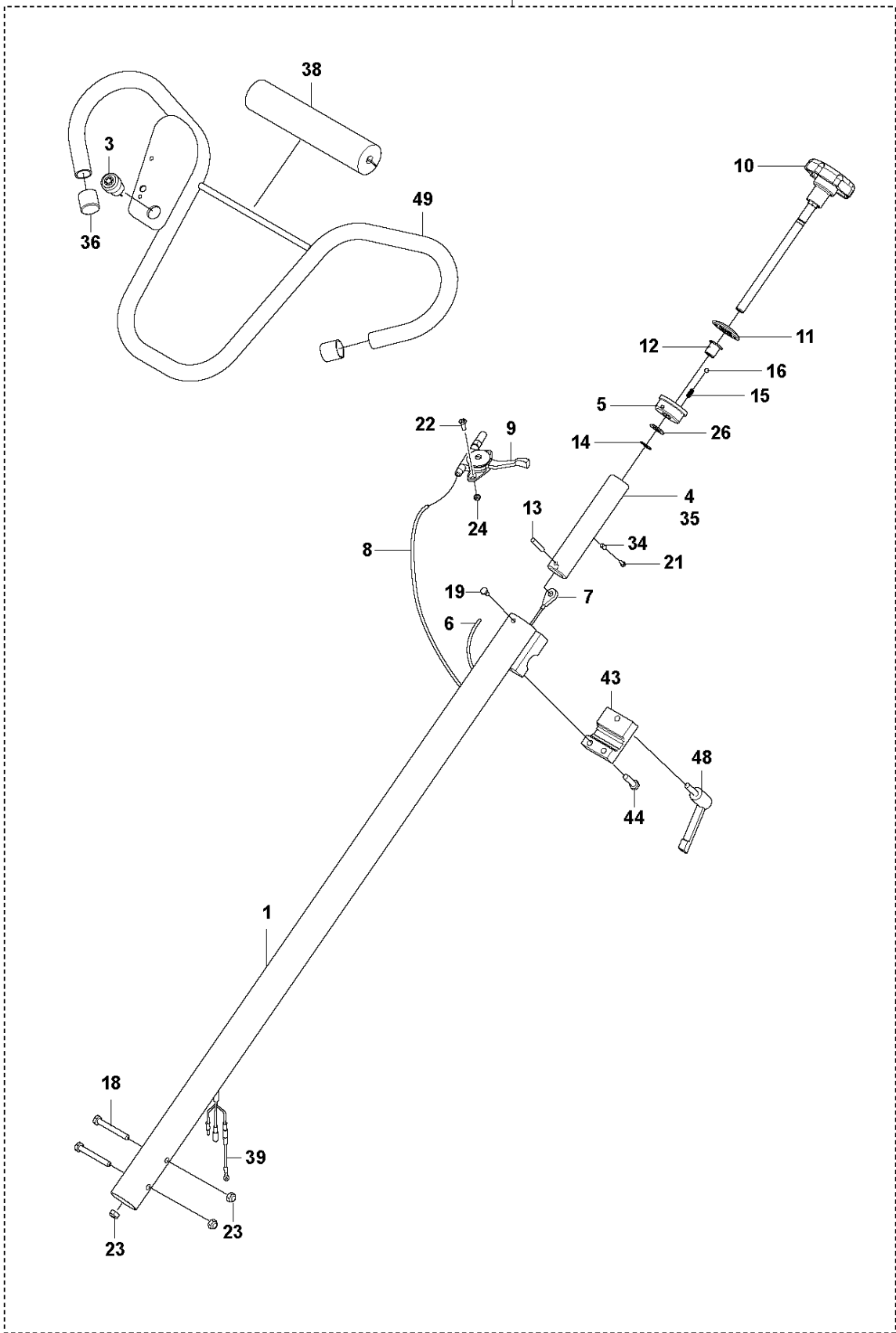
Ref	Part No	Description	Remark	QTY	KIT
1	599 74 13-01	GEARBOX ASSY		1	
5	599 01 83-01	GEARBOX		1	1
6	598 99 84-01	COVER		1	1
7	599 00 80-01	COVER		1	1
18	599 00 16-01	GEAR		1	1
19	599 01 84-01	SHAFT		1	1
20	599 05 22-01	SHAFT		1	1
21	599 02 53-01	BRAKE		1	1
22	599 02 54-01	BRAKE		1	1
29	599 00 32-01	BEARING	32206	3	1
30	599 01 85-01	BEARING	HMK1720C	1	1
32	599 01 04-01	SEAL	28x40x7 VTF	1	1
33	599 01 05-01	SEAL	30x52x7 VTF	1	1
34	599 01 03-01	SPRING		1	1
35	599 00 31-01	SPACER		1	1
38	599 17 05-01	VALVE		1	1
39	599 17 10-01	PLUG		1	1
54	725 24 55-71	SCREW EHHM	M8x30 ISO 4017 8.8 ZPB	6	1
82	599 17 00-01	KEY	3/16"x3/16"x7/8"	1	1
83	599 17 01-01	KEY	7x8x33	1	1
86	599 16 69-01	KEY	7x8x70	1	1
87	599 17 65-01	RETAINER RING	D30 DIN 471	1	1
89	599 00 94-01	O-RING	133x3.53 NBR 70 Shore	1	1
90	599 01 86-01	O-RING	67x3 NBR 70 Shore	1	1
91	599 41 86-01	SHIM	Shim kit	1	1



Ref	Part No	Description	Remark	QTY	KIT
1	599 08 66-01	HANDLE		1	75
3	599 08 70-01	SWITCH		1	75
4	599 03 79-01	NUT		1	75
5	599 00 28-01	HOLDER		1	75
6	599 08 69-01	HARNESS		1	75
7	599 00 26-01	CABLE	Pitch control cable	1	75
8	599 01 02-01	CABLE	Throttle cable	1	75
9	599 01 08-01	LEVER		1	75
10	599 12 50-01	KNOB		1	75
11	599 01 07-01	PLATE		1	75
12	599 00 29-01	BEARING		1	75
13	599 17 22-01	PIN	Roll-plain pin 1/4"x1-3/8"	1	75
14	599 16 88-01	RETAINER RING	D9 DIN 6799	1	75
15	599 00 41-01	SPRING		1	75
16	599 16 96-01	BALL		1	75
18	725 24 64-51	SCREW EHHM	M8x65 ISO 4014 8.8 ZPB	2	75
19	725 23 64-71	SCREW EHHM	M6x10 ISO 4017 8.8 ZPB	1	75
21	725 52 93-01	SCREW IHSCM	M4x16 ISO 4762 8.8 ZPB	1	75
22	599 17 72-01	SCREW	M5x16 ISO 7046 8.8 ZP	2	75
23	732 25 18-01	HEXAGON LOCKING NUT	M8 ISO 7040 8 ZPB	3	75
24	732 21 14-01	LOCK NUT	M5 ISO 10511 8	2	75
26	734 11 78-01	WASHER	M12 ISO 7089 200HV ZPB	1	75
34	599 03 93-01	SPACER		1	75
35	599 17 21-01	SLEEVE		1	75
36	599 04 05-01	CAP		2	75
38	599 03 85-01	PAD		1	75
39	599 02 75-01	WIRING		1	75
75	598 92 68-02	HANDLE	Complete T-Handle	1	75

J CT48
HANDLE, ADJUSTABLE WITH TWIST PITCH

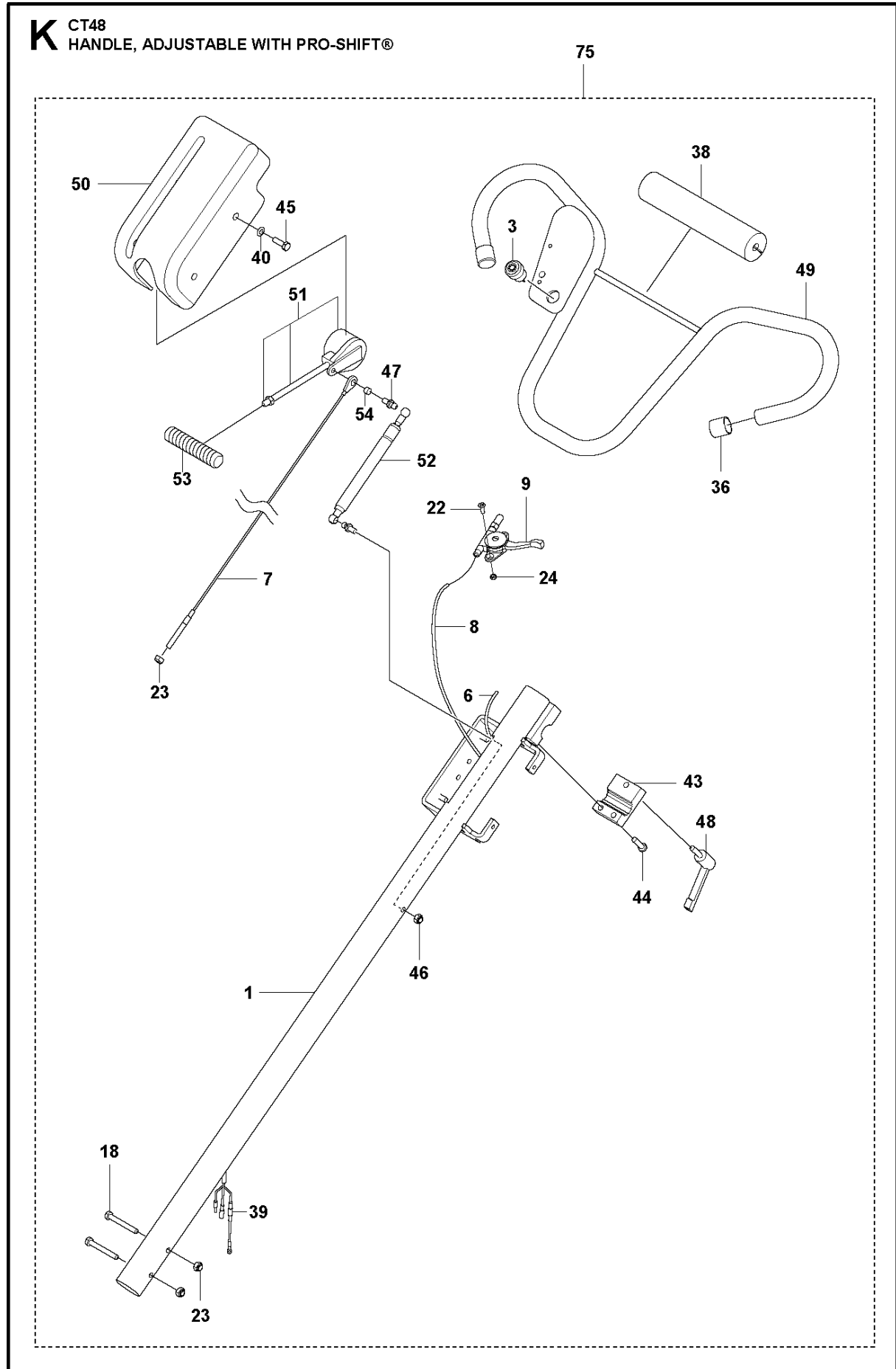
75



HANDLE, ADJUSTABLE WITH TWIST PITCH

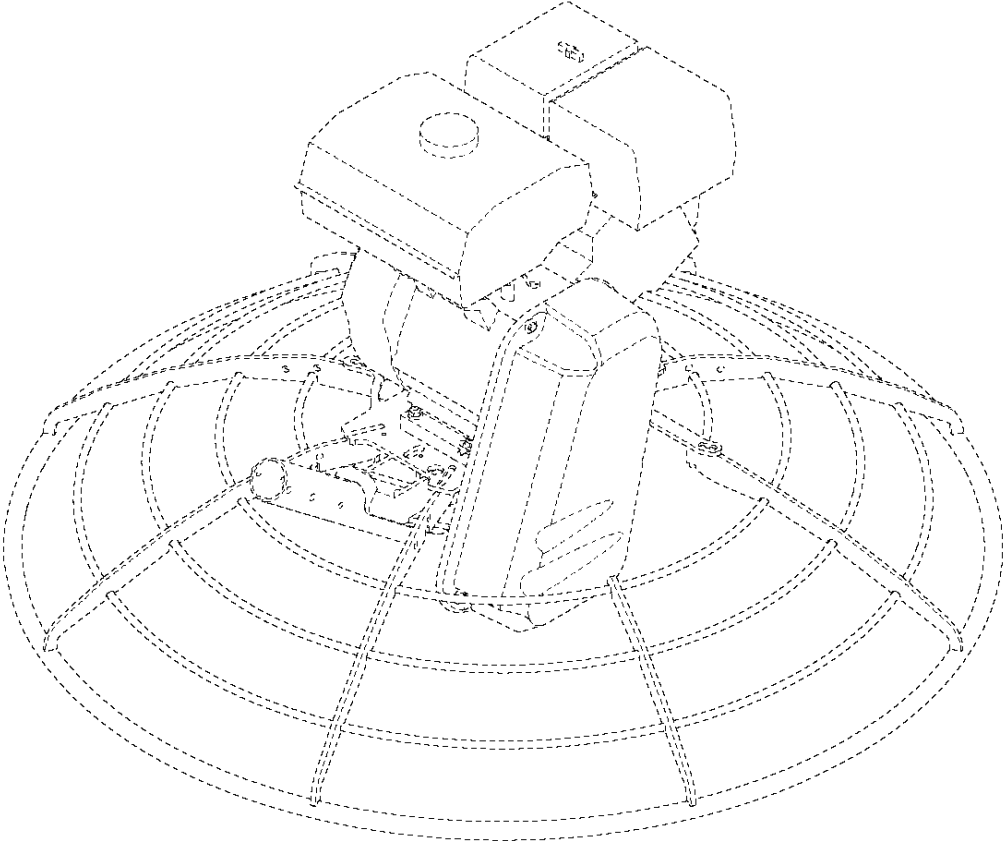
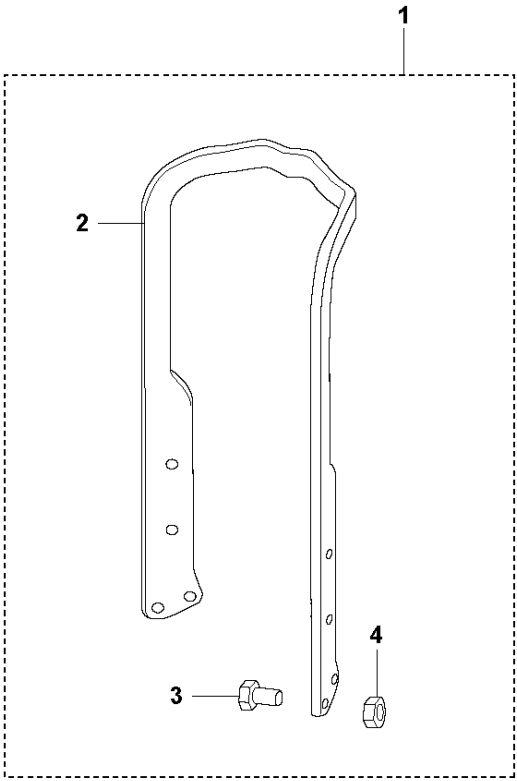
CT 48, 2021-12

Ref	Part No	Description	Remark	QTY	KIT
1	599 02 65-01	HANDLE		1	75
3	599 08 70-01	SWITCH		1	75
4	599 03 79-01	NUT		1	75
5	599 00 28-01	HOLDER		1	75
6	599 08 69-01	HARNESS		1	75
7	599 00 26-01	CABLE	Pitch control cable	1	75
8	599 01 02-01	CABLE	Throttle cable	1	75
9	599 01 08-01	LEVER		1	75
10	599 12 50-01	KNOB		1	75
11	599 01 07-01	PLATE		1	75
12	599 00 29-01	BEARING		1	75
13	599 17 22-01	PIN	Roll-plain pin 1/4"x1-3/8"	1	75
14	599 16 88-01	RETAINER RING	D9 DIN 6799	1	75
15	599 00 41-01	SPRING		1	75
16	599 16 96-01	BALL		1	75
18	725 24 64-51	SCREW EHHM	M8x65 ISO 4014 8.8 ZPB	2	
19	725 23 64-71	SCREW EHHM	M6x10 ISO 4017 8.8 ZPB	1	75
21	725 52 93-01	SCREW IHSCM	M4x16 ISO 4762 8.8 ZPB	1	75
22	599 17 72-01	SCREW	M5x16 ISO 7046 8.8 ZP	2	75
23	732 25 18-01	HEXAGON LOCKING NUT	M8 ISO 7040 8 ZPB	3	75
24	732 21 14-01	LOCK NUT	M5 ISO 10511 8	2	75
26	734 11 78-01	WASHER	M12 ISO 7089 200HV ZPB	1	75
34	599 03 93-01	SPACER		1	75
35	599 17 21-01	SLEEVE		1	75
36	599 04 05-01	CAP		2	75
38	599 03 85-01	PAD		1	75
39	599 02 75-01	WIRING		1	75
43	599 01 89-01	BLOCK		1	75
44	585 97 28-01	SCREW EHHFM	M8x30 EN 1665 8.8 ZPB	2	75, 8
48	599 03 07-01	HANDLE		1	75
49	599 08 65-01	HANDLE		1	75
75	598 92 68-08	HANDLE	Complete ADJ-T-Handle	1	75



Ref	Part No	Description	Remark	QTY	KIT
1	599 02 30-01	HANDLE		1	75
3	599 08 70-01	SWITCH		1	75
6	599 08 69-01	HARNESS		1	75
7	599 20 87-01	CABLE	Pitch control cable	1	75
8	599 01 02-01	CABLE	Throttle cable	1	75
9	599 01 08-01	LEVER		1	75
18	725 24 64-51	SCREW EHHM	M8x65 ISO 4014 8.8 ZPB	2	75
22	599 17 72-01	SCREW	M5x16 ISO 7046 8.8 ZP	2	75
23	732 25 18-01	HEXAGON LOCKING NUT	M8 ISO 7040 8 ZPB	3	75
24	732 21 14-01	LOCK NUT	M5 ISO 10511 8	2	75
36	599 04 05-01	CAP		2	75
38	599 03 85-01	PAD		1	75
39	599 02 75-01	WIRING		1	75
40	734 11 63-01	WASHER	M8 ISO 7089 200HV ZPB	4	75
43	599 01 89-01	BLOCK		1	75
44	585 97 28-01	SCREW EHHFM	M8x30 EN 1665 8.8 ZPB	2	75
45	585 97 54-01	SCREW EHHFM	M8x20 EN 1665 8.8 ZPB	4	75
46	576 64 57-04	NUT FLANGE	M8 ISO 7043 8 FZB	1	75
47	599 16 87-01	STUD		2	75
48	599 03 07-01	HANDLE		1	75
49	599 08 65-01	HANDLE		1	75
50	599 20 90-01	COVER		1	75
51	599 20 88-01	CONTROL		1	75
52	599 01 64-01	SPRING		1	75
53	599 20 91-01	HANDLE		1	75
54	599 20 89-01	SPACER		1	75
75	598 92 68-12	HANDLE	Complete ADJ-P-Handle	1	75

L CT48
LIFT BRACKET KIT, LONG

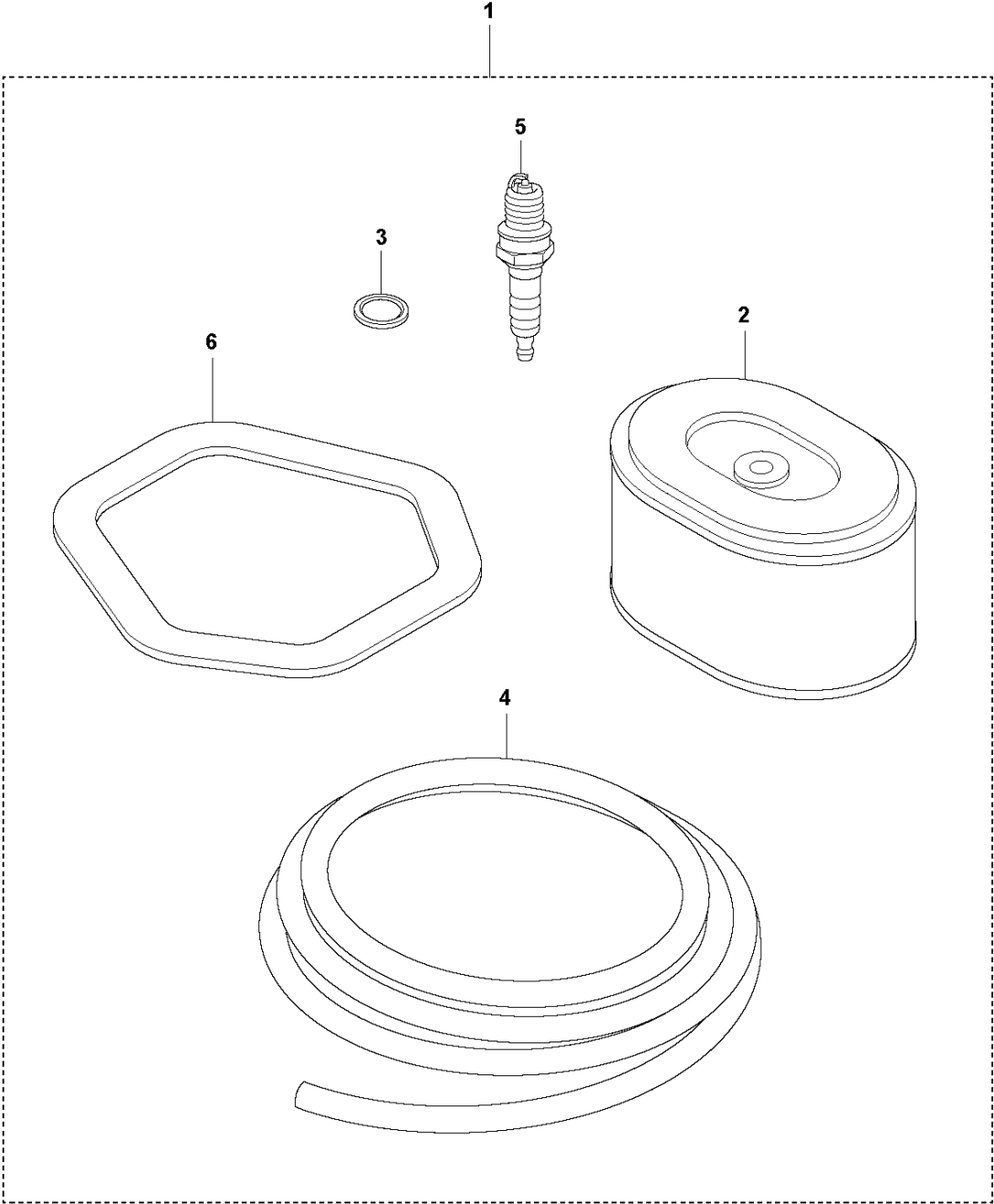


LIFTING BRACKET

CT 48, 2021-12

Ref	Part No	Description	Remark	QTY KIT	
1	598 92 73-02	BRACKET		1	
2	599 22 78-01	BRACKET		1	1
3	725 24 55-71	SCREW EHHM	M8x30 ISO 4017 8.8 ZPB	4	1
4	732 25 18-01	HEXAGON LOCKING NUT	M8 ISO 7040 8 ZPB	4	1

M CT48
SERVICE KIT - HONDA GX 240

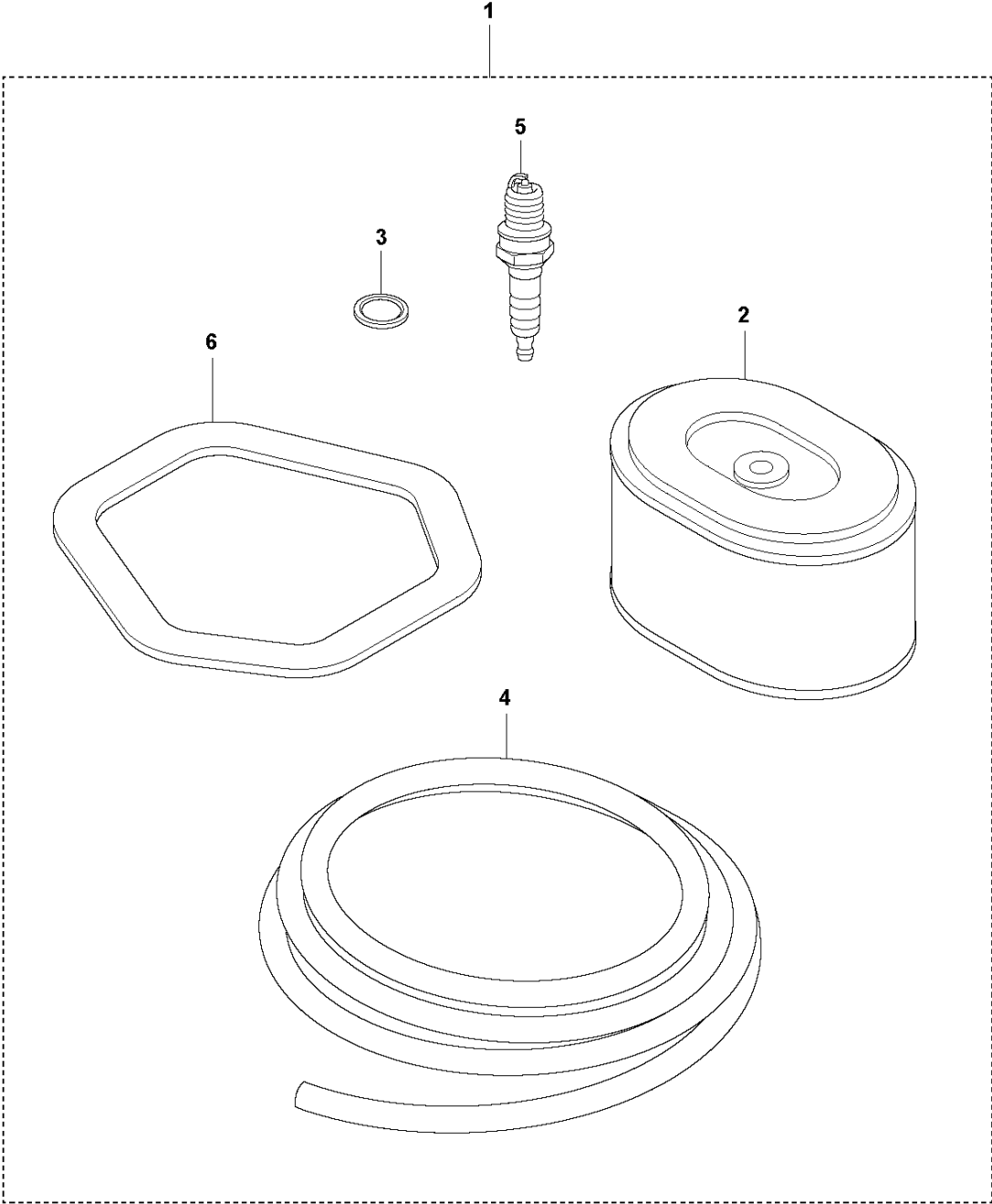


SERVICE KIT

CT 48, 2021-12

Ref	Part No	Description	Remark	QTY KIT	
1	594 20 04-01	SERVICE KIT		1	
2	594 57 51-01	AIR FILTER		1	1
3	595 04 89-01	GASKET		1	1
4	595 04 91-01	ROPE		1	1
5	594 54 43-01	SPARK PLUG	BPR6ES (NGK)	1	1
6	594 76 03-01	GASKET		1	1

N CT48
SERVICE KIT - HONDA GX 390



SERVICE KIT

CT 48, 2021-12

Ref	Part No	Description	Remark	QTY	KIT
1	536 55 84-01	SERVICE KIT		1	
2	594 19 81-01	AIR FILTER		1	1
3	595 04 89-01	GASKET		1	1
4	594 76 04-01	STARTER ROPE		1	1
5	594 54 43-01	SPARK PLUG	BPR6ES (NGK)	1	1
6	594 76 03-01	GASKET		1	1

DECALS

CT 48, 2021-12

Ref	Part No	Description	Remark	QTY KIT
1	599 07 25-01	LABEL	For GX240 engine	1
2	599 01 91-01	LABEL	For GX340 engine	1
3	599 01 88-01	LABEL	For GX390 engine	1
4	599 20 85-01	LABEL	For P-handle only	1
5	599 23 40-01	DECAL		1
6	599 23 41-01	DECAL		1
7	599 23 42-01	DECAL		1
8	599 23 45-01	DECAL		1
9	599 01 22-01	LABEL		1
10	598 99 38-01	LABEL		1
11	599 01 21-01	LABEL		1
12	599 96 36-01	LABEL		1