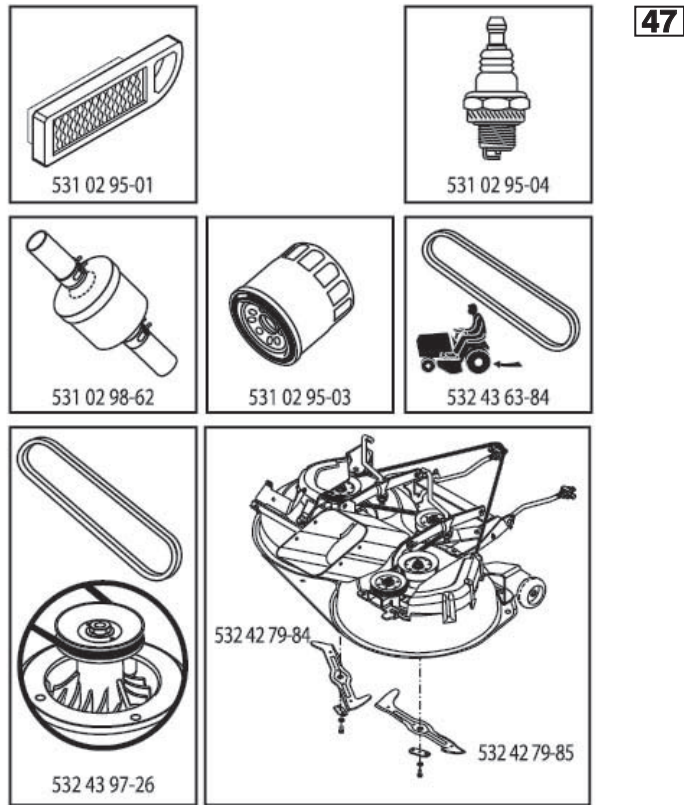


ILLUSTRATED PARTS LIST

MODEL NO. 96051002501

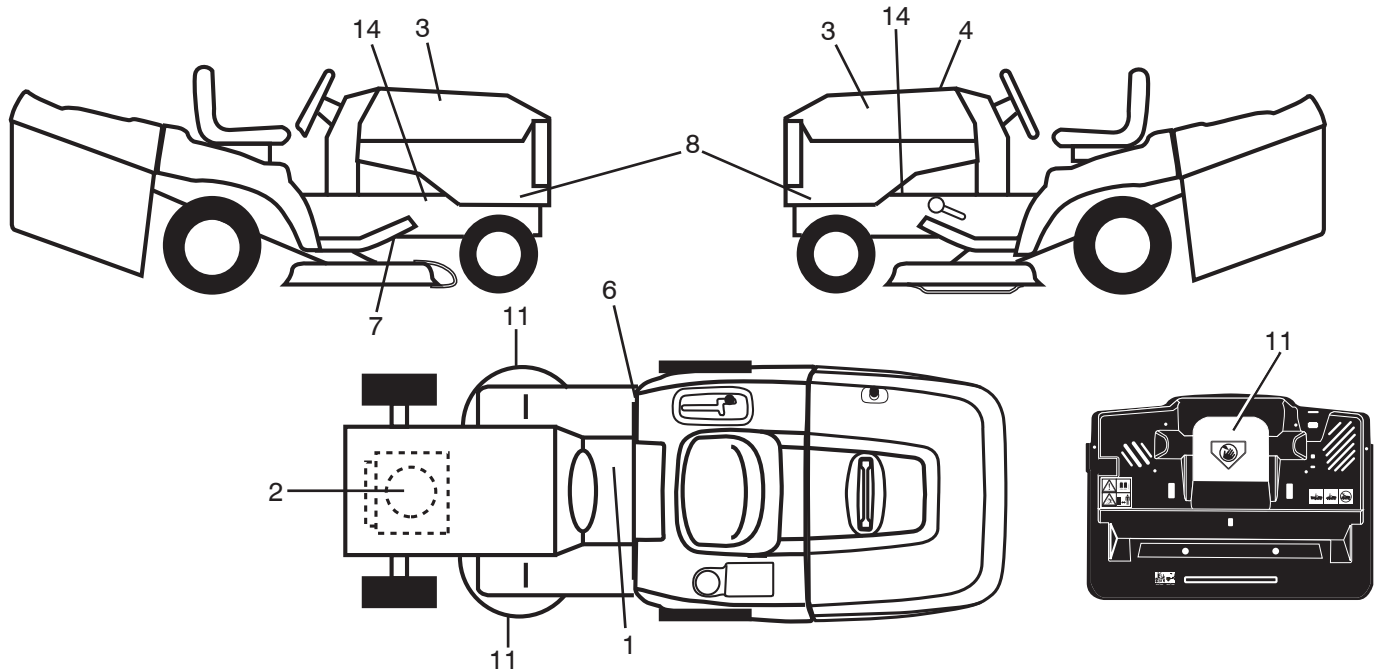
CUSTOMER CATALOG NO. CT154

PRODUCT NO. 960 51 00 25



447027

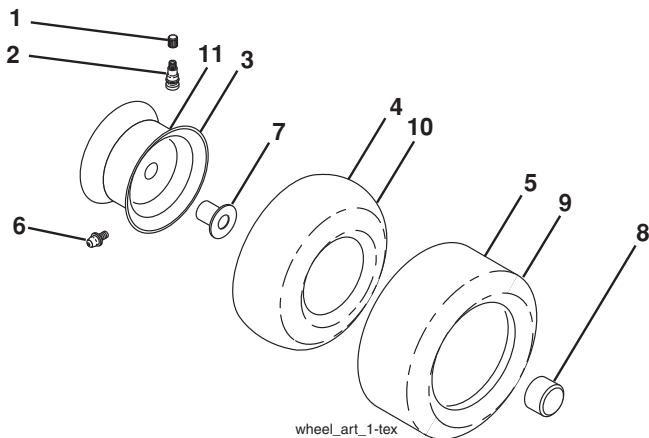
TRACTOR - - MODEL NO. CT154 (96051002501), PRODUCT NO. 960 51 00 25
DECALS 27



KEY NO.	PART NO.	DESCRIPTION
1	532 44 55-03	Decal, Warning
2	532 19 68-41	Decal, Warning Eng. Sym.
3	581 62 73-01	Decal, Hood
4	532 44 70-27	Decal, Replacement
6	532 18 04-32	Decal, 100 DBA
7	532 44 11-89	Decal, Deck Belt
8	532 44 77-60	Decal, Side Panel
11	581 57 91-01	Decal, Mower Cut Finger Symbol
14	532 15 97-36	Decal, Chassis Hot Muffler

KEY NO.	PART NO.	DESCRIPTION
--	532 44 27-44	Decal, Battery Door
--	532 18 04-35	Decal, Backplate Symb.
--	532 44 32-61	Decal, Inst. Mulch Plug
--	532 44 14-09	Pad Footrest LH
--	532 44 18-02	Pad Footrest RH
--	115 56 21-20	Manual Operator's (Euro)
--	115 56 22-10	Manual Operator's (Scan)
--	115 56 23-50	Manual Operator's (E-Bloc)
--	115 56 24-40	Manual Operator's (Baltic)

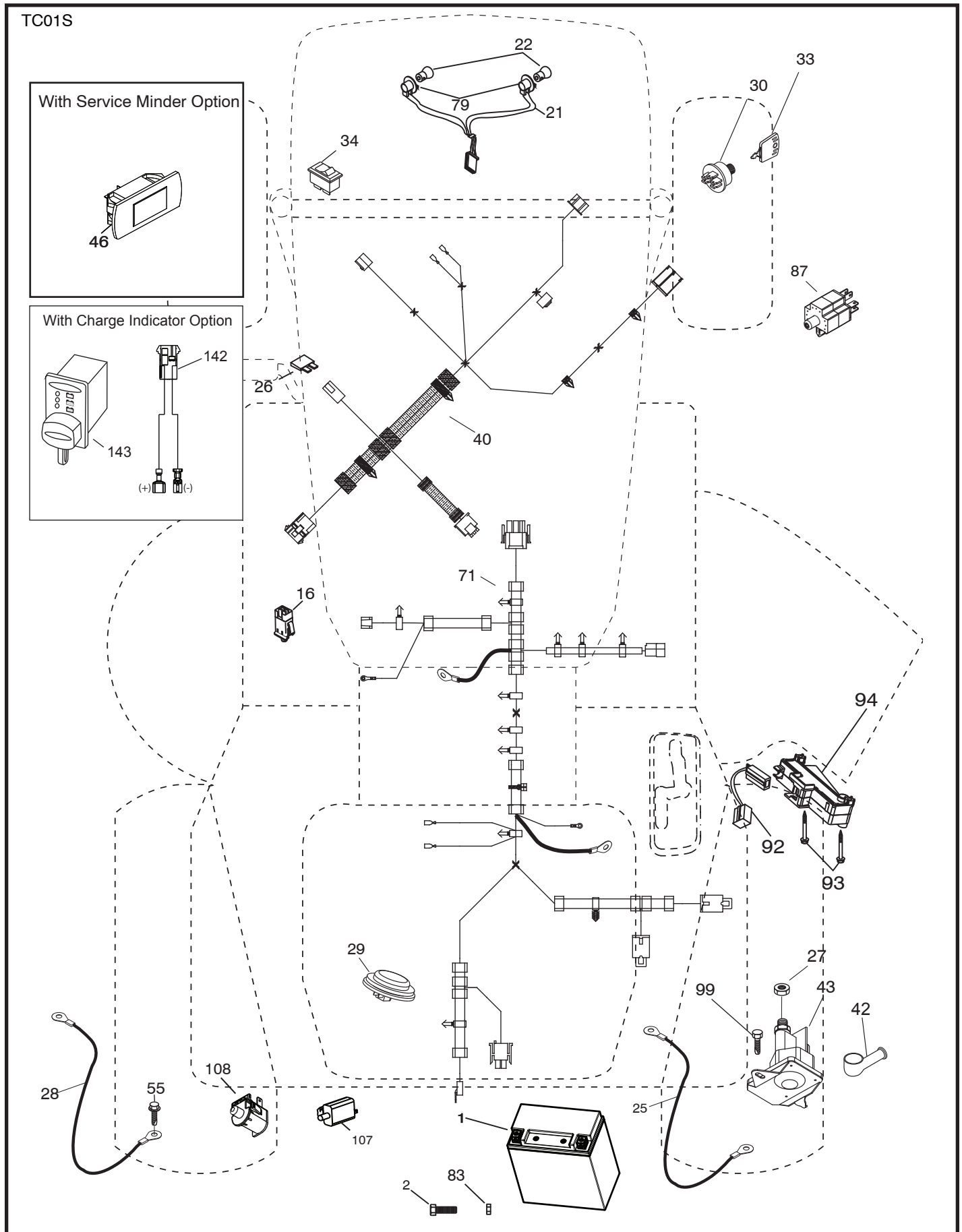
WHEELS AND TIRES



KEY NO.	PART NO.	DESCRIPTION
1	532 05 91-92	Cap Valve Tire
2	532 06 51-39	Stem Valve
3	532 13 83-36	Rim Front
4	532 05 99-04	Tube Front (Service Item Only)
5	532 10 62-22	Tire Front 15 x 6.0-6
6	532 12 49-57	Fitting Grease (Front Wheel Only)
7	532 12 49-59	Bearing Flange (Front Wheel Only)
8	532 17 50-39	Cap Axle Blk 1 50 x 1 00
9	532 42 05-31	Tire R 18 x 9.5-8
10	532 12 49-26	Tube Rear (Service Item Only)
11	532 13 83-37	Rim Asm 8" Rear
--	532 14 43-34	Sealant, Tire (10 oz. Tube)

NOTE: All component dimensions given in U.S. inches
 1 inch = 25.4 mm

TRACTOR - - MODEL NO. CT154 (96051002501), PRODUCT NO. 960 51 00 25
 ELECTRICAL **32**

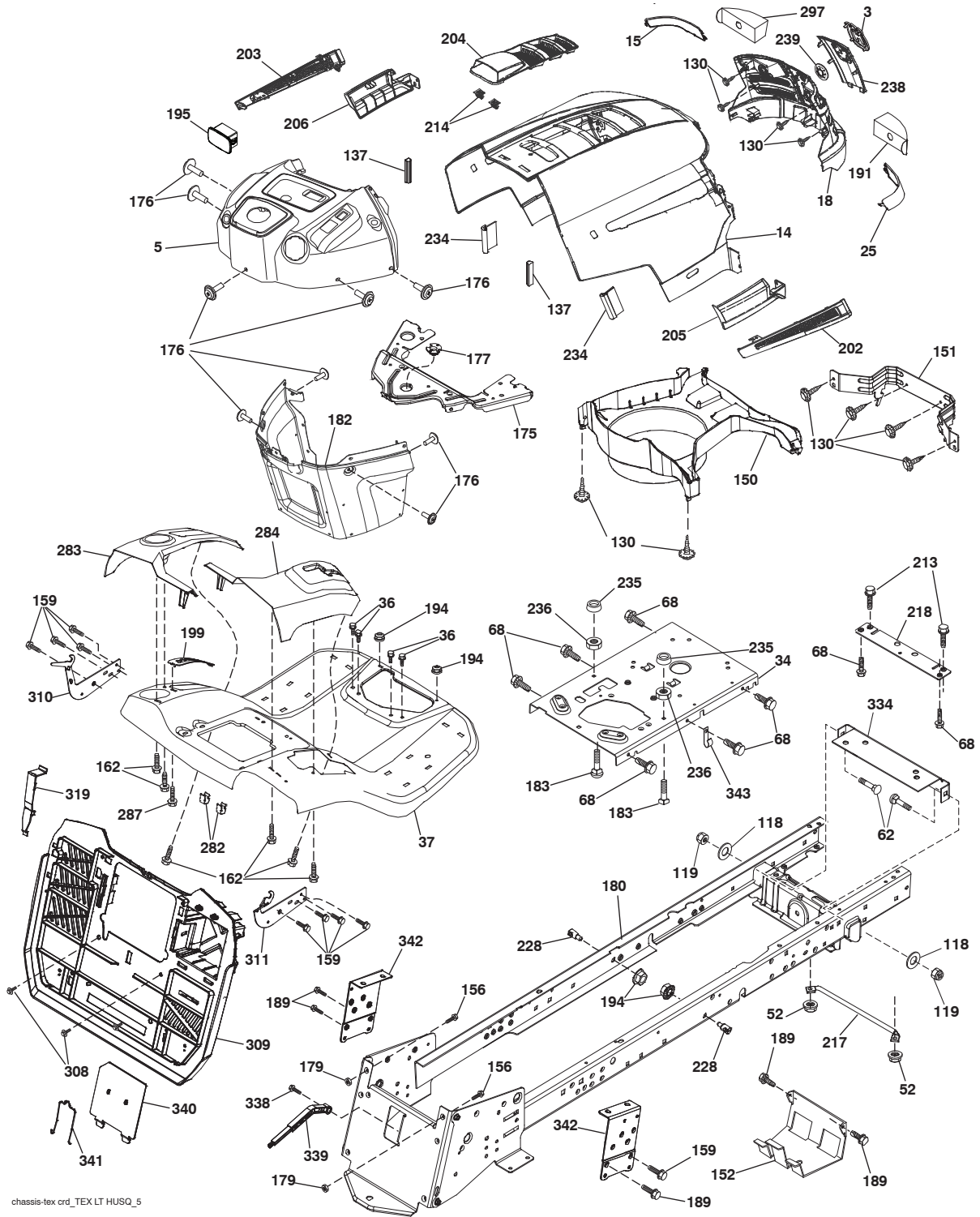


TRACTOR - - MODEL NO. CT154 (96051002501), PRODUCT NO. 960 51 00 25
ELECTRICAL 32

KEY NO.	PART NO.	DESCRIPTION
1	532 43 71-57	Battery
2	532 44 09-23	Screw Hex Head Cap M6 x 1.12 mm
16	532 17 61-38	Switch Interlock Push-In
21	532 40 02-52	Harness Socket Light w/4152J
22	532 00 41-52	Bulb Light
25	532 43 71-62	Cable Starter
26	532 17 51-58	Fuse
27	873 51 04-00	Nut Keps Hex 1/4-20 unc
28	532 43 71-63	Cable, Ground
29	532 40 15-45	Switch, Seat
30	532 19 33-50	Switch, Ign.
33	532 41 19-35	Key/Chain
34	532 11 07-12	Switch Light/Reset
40	532 42 10-02	Harness Ign. Dash
41	817 72 04-08	Screw Thd. Cut 1/4-20 x 1/2
43	532 19 25-07	Solenoid
55	817 06 05-12	Screw Thdrol. 5/16-18 x 3/4 TYTT
71	532 43 71-60	Harness Chassis
79	532 17 52-42	Socket Asm. Bulb Twistlock
83	532 43 67-74	Nut Square M6 x 1.8.5 x 11 mm
87	532 42 10-60	Switch Interlock Clutch Cable
92	532 19 66-15	Harness Pigtail Reverse Switch
93	532 19 25-40	Screw Plastite 10-14 x 2.0
94	532 19 18-34	Module Reverse ROS
107	532 18 03-79	Switch Full Bagger Indicator
108	532 42 10-62	Switch Snapmount

NOTE: All component dimensions given in U.S. inches
1 inch = 25.4 mm

TRACTOR - - MODEL NO. CT154 (96051002501), PRODUCT NO. 960 51 00 25
CHASSIS AND ENCLOSURES **39**



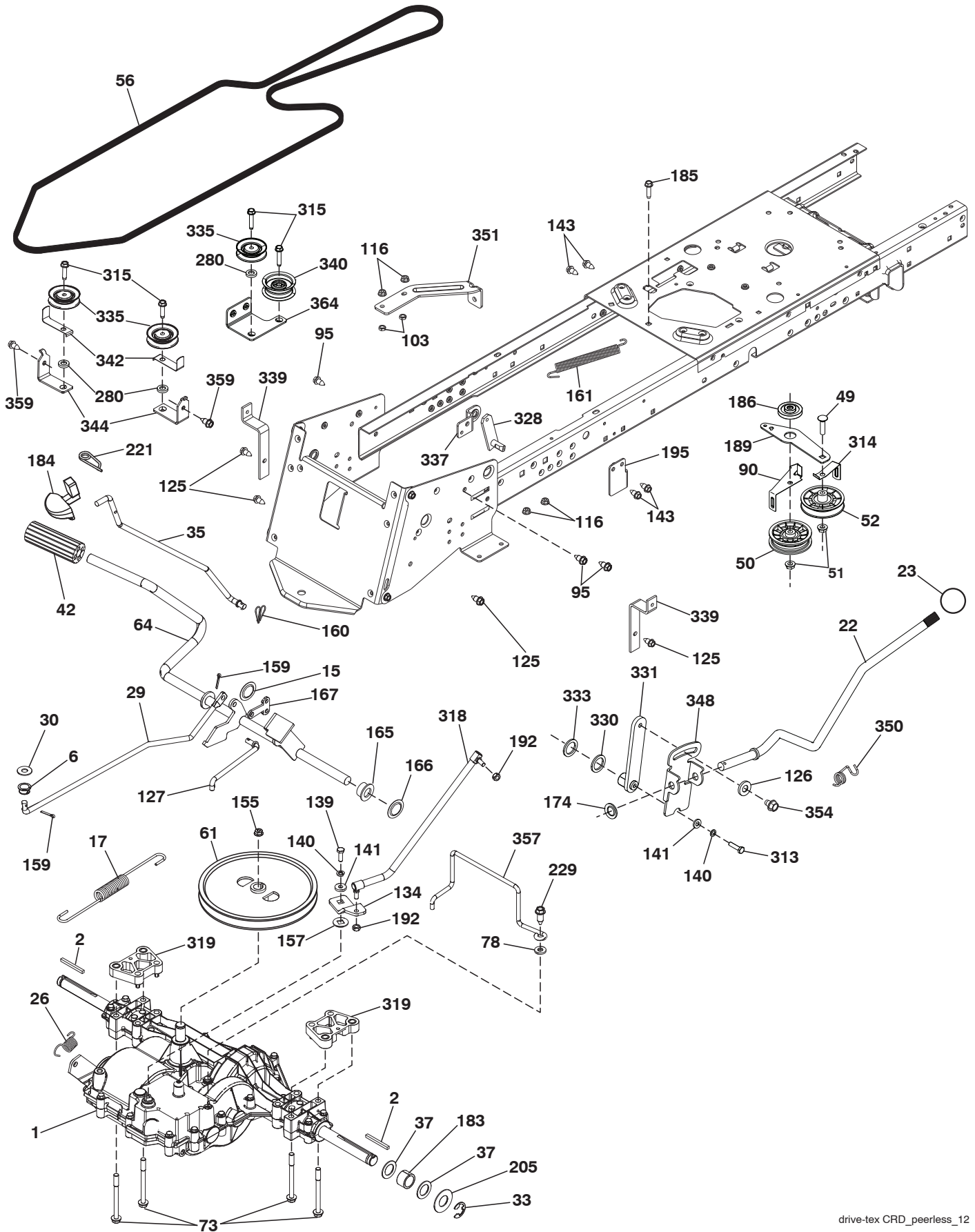
chassis-tex crd_TEX LT HUSQ_5

**TRACTOR - - MODEL NO. CT154 (96051002501), PRODUCT NO. 960 51 00 25
CHASSIS AND ENCLOSURES **39****

KEY NO.	PART NO.	DESCRIPTION	KEY NO.	PART NO.	DESCRIPTION
3	532 40 50-12	Logo	203	532 44 13-43	Vent Side Hood LH
5	532 43 89-64	Dash	204	532 44 13-75	Vent Top Hood
14	532 44 12-67	Hood	205	532 44 13-44	Skirt Side RH
15	532 44 14-28	Lens LH	206	532 44 13-45	Skirt Side LH
18	532 44 13-68	Grille	213	874 76 05-12	Bolt Hex HD 5/16-18 unc 3/4
25	532 44 14-27	Lens RH	214	532 19 91-45	Clip Retainer
34	580 91 09-01	Plate Engine	217	532 40 91-67	Rod Pivot Hood
36	817 06 05-12	Screw 5/16-18 x 3/4	218	532 19 63-95	X-Piece Hood Stop
37	532 44 14-19	Fender	228	532 19 51-61	Stud Fastener
52	873 68 05-00	Nut Crownlock 5/16-18	234	532 40 47-42	Bumper Hood
62	872 11 06-08	Bolt RDHD SQNK 3/8-16 X 1Gr. 5	235	532 40 61-29	Spacer Fender
68	817 49 05-08	Screw Thdrol. 5/16-18 x 1/2	236	873 93 05 00	Nut Center Lock 5/16-18 unc
118	819 13 13-16	Washer 13/32 x 13/16 x 16 Ga.	238	532 44 13-74	Trim
119	873 68 06-00	Nut Crownlock 3/8-16 unc	239	532 40 48-83	Clip Tinnerman
130	532 41 63-58	Screw #10 x .750 BOS Thread	282	532 41 41-10	Clip Retainer
137	532 40 75-90	Bumper Dash	283	532 44 05-31	Console Deck Lift
150	532 40 75-37	Air Duct	284	532 44 08-59	Console Shift RH
151	532 40 78-07	Bracket Pivot	287	817 60 04-06	Screw Hex Washhead. 1/4-20 x 3/8
152	532 19 95-35	Shield Browning	297	532 40 66-65	Insert Reflective LH
156	872 14 06-14	Bolt 3/8-16 unc x 1-3/4	308	532 17 18-77	Bolt 5/16-18 unc x 3/4
159	817 00 06-12	Screw 3/8-16 x 3/4	309	584 44 11-01	Backplate
162	532 14 24-32	Screw Hex Wsh. Hi-Lo 1/4 x 1/2 unc	310	532 44 66-36	Bracket Hangbar Bag LH
175	532 19 94-72	Crossmember	311	532 44 66-37	Bracket Hangbar Bag RH
176	532 40 07-76	Screw 10-24 x 5/8	319	532 17 46-62	Bracket Actuator Bagger
177	532 19 52-28	Bushing Steering	334	532 44 25-37	Bracket Engine
179	532 16 89-37	Nut Push	338	532 43 66-40	Bolt Shoulder
180	532 43 54-72	Chassis	339	532 43 66-41	Lever Bagger Full
182	532 40 71-76	Dash Lower	340	532 44 09-31	Door Battery Tray
183	874 52 05-20	Bolt 5/16-18 x 1-1/4	341	532 43 66-38	Latch Batter Tray
189	817 00 05-12	Screw 5/16-18 x 3/4	342	532 43 59-38	Support Fender
191	532 41 65-01	Insert Reflective RH	343	532 44 07-49	Clip
194	873 90 05-00	Nut Lock Hex Flange 5/16-18			
195	532 43 99-76	Plug Dash			
199	532 41 87-39	Plate Deck Lift			
202	532 44 13-42	Vent Side Hood RH			

NOTE: All component dimensions given in U.S. inches
1 inch = 25.4 mm

TRACTOR - - MODEL NO. CT154 (96051002501), PRODUCT NO. 960 51 00 25
DRIVE **40**

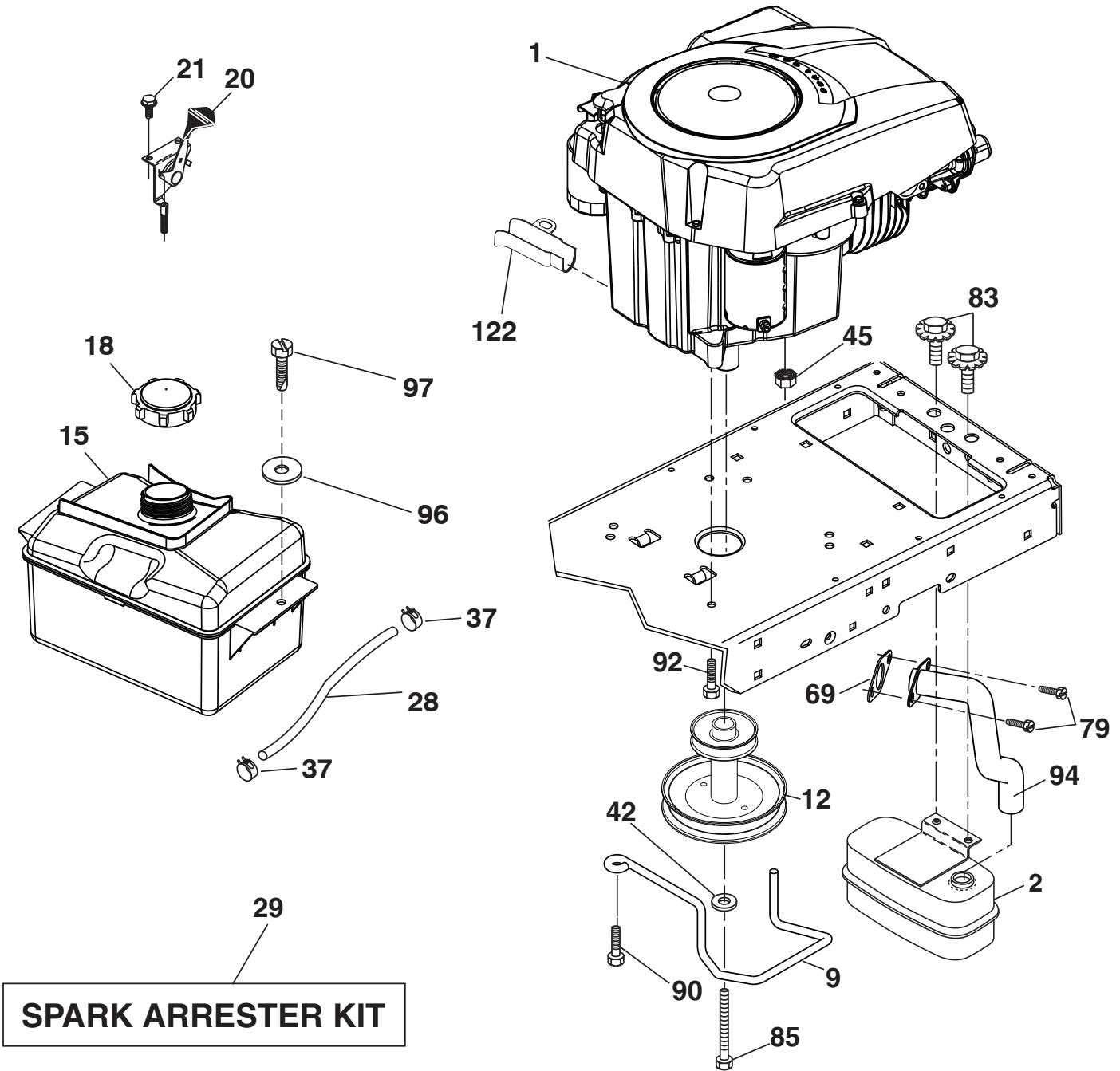


TRACTOR - - MODEL NO. CT154 (96051002501), PRODUCT NO. 960 51 00 25

DRIVE 40

KEY NO.	PART NO.	DESCRIPTION	KEY NO.	PART NO.	DESCRIPTION
1	---	Transaxle, Peerless 206-578 (436815) (Order parts from transaxle manufacturer.)	166	532 42 91-64	Nut Push .625
2	532 12 35-83	Key Square	167	532 40 52-57	Latch Brake Parking
6	532 12 40-28	Bushing	174	532 19 72-89	Nut Push
15	819 13 13-16	Washer 13/32 x 13/16 x 16 Ga.	183	532 13 70-57	Spacer Axle
17	532 44 08-67	Spring, Brake	184	532 44 14-07	Handle Parking Brake
22	532 44 32-46	Rod Shift CRD Tex	185	872 11 06-22	Bolt
23	532 12 12-74	Knob Duckhead 1/2-13	186	532 19 43-21	Spacer Retainer
26	532 14 66-82	Spring Brake Return	189	532 43 36-11	Bellcrank Ground Drive CRD Tex
29	532 43 70-16	Rod, Brake	192	532 15 03-60	Nut Lock Center 1/4-28 Fnthd.
30	819 13 16-16	Washer	195	532 43 58-65	Bracket Brake Rod
33	812 00 00-01	Ring E	205	532 12 17-48	Washer 25/32 x 1-5/8 16 Ga.
35	532 40 10-31	Rod, Brake, Park	221	532 40 31-87	Retainer Spring Clip Handle
37	532 12 17-49	Washer 25/32 x 1-1/4 x 16 Ga.	229	817 06 05-16	Screw
42	532 12 48-72	Cover, Foot Pedal	280	819 11 10-12	Washer
49	872 11 06-14	Bolt	313	874 78 04-16	Bolt Hex Fin 1/4-20 x 1 Gr. 5
50	532 19 43-27	Idler Flat	314	532 44 47-13	Keeper, Belt
51	873 90 06-00	Lock Nut 3/8-16	315	817 58 05-20	Screw Thdrol 5/16-18 x 4.25
52	532 19 43-26	Pulley Idler V Groove Plastic	318	532 43 70-22	Link Shift Gear
56	532 43 63-84	V-Belt, Drive	319	532 43 67-94	Spacer Transaxle Tex CRD
61	532 16 59-99	Pulley Transaxle	328	532 43 79-58	Shaft Shift Front
64	532 19 62-00	Shaft Asm. Pedal Brake Control	330	532 16 95-93	Washer Nylon
73	874 49 05-56	Bolt Hex 5/16-18 x 3.75	331	532 44 36-06	Hub Shift
78	819 11 12-12	Washer	333	532 17 08-68	Wave Spring Washer
90	532 44 36-05	Keeper Belt Clutching	335	532 19 95-34	Pulley V-Idler
95	817 00 06-12	Screw	337	532 43 59-37	Bracket Supt Shift CRD Tex
103	873 35 05-00	Nut	339	532 43 68-67	Strap Torque K46 CRD Tex
116	873 90 05-00	Nut Lock Hex Flange 5/16-18	340	532 43 68-12	Idler Flat
125	817 00 05-12	Screw 5/16-18 x 3/4	342	532 18 26-82	Keeper Belt
126	532 16 60-02	Washer Srrtd 5/16 ID x 1.0 x .125	344	532 43 56-45	Bracket Idler CRD Tex
127	532 19 43-23	Link Clutch Ground Drive	348	532 44 36-07	Bracket Pivot Lever
134	532 14 50-90	Asm. Shift	350	532 44 50-20	Spring Torsion Shift
139	874 55 04-12	Bolt 1/4-28 unf Gr. 8 w/Patch	351	532 43 69-98	Bracket Deck Sway
140	810 04 04-00	Washer Lock Hvy. Helical 1/4	354	817 49 05-10	Screw
141	819 09 12-10	Washer 9/32 x 3/4 x 10 Ga.	357	532 44 13-38	Keeper Belt Transmission
143	817 49 05-08	Screw Thdrol 5/16-18 x 1/2 TYTT	359	817 49 06-10	Screw Hxwsh Thdr 3/8-16 x 5/8
155	812 00 00-28	Ring Retainer	364	532 44 30-32	Bracket
157	532 10 57-01	Washer Plate Shift			
159	876 02 04-12	Cotter Pin			
160	532 16 94-84	Retainer Clip			
161	532 10 57-09	Spring, Return, Clutch			
165	532 19 62-12	Bushing Shaft Brake Hand Control			

NOTE: All component dimensions given in U.S. inches
1 inch = 25.4 mm



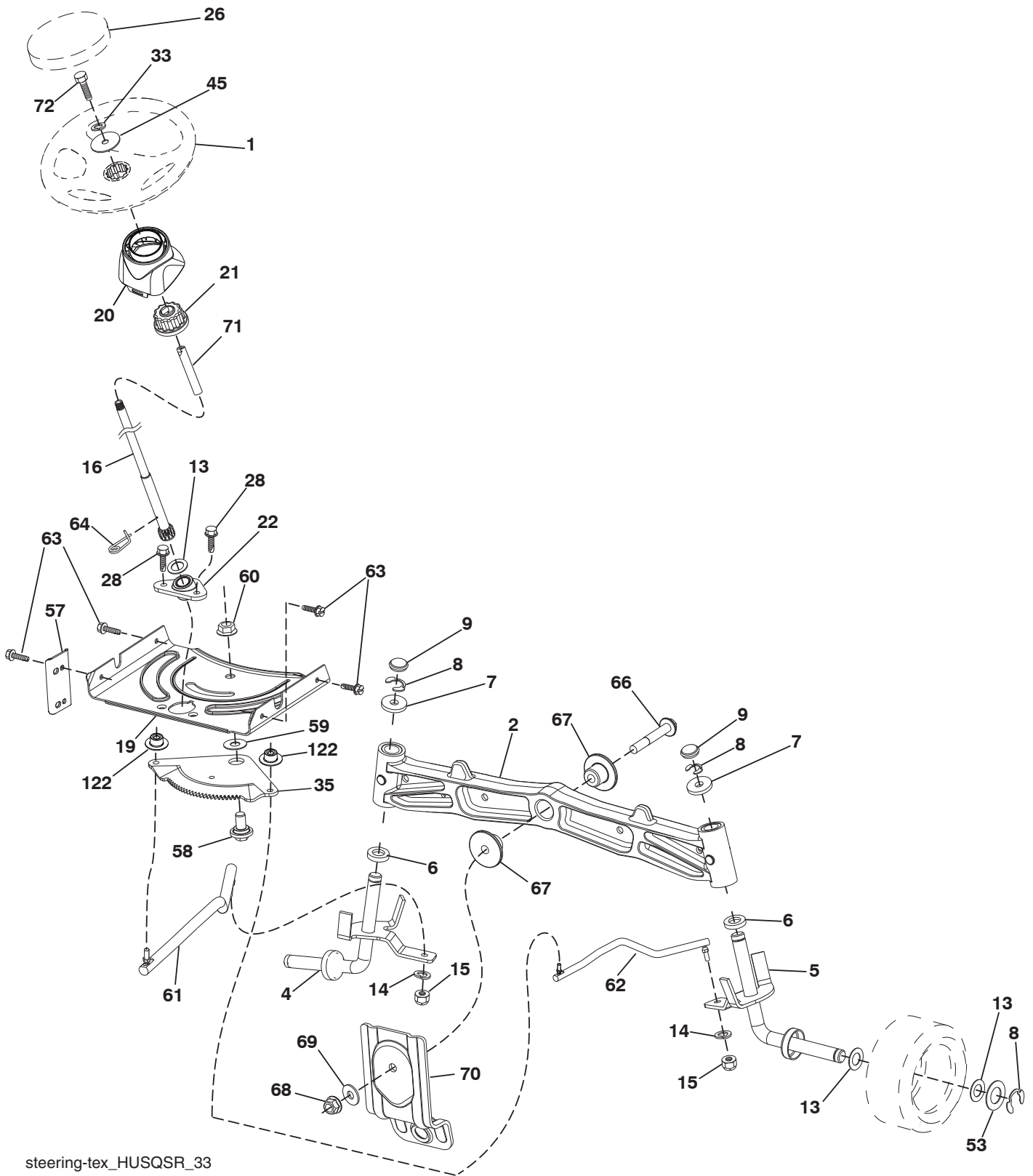
engine-tex_kohl_23_r2

**TRACTOR - - MODEL NO. CT154 (96051002501), PRODUCT NO. 960 51 00 25
ENGINE 24**

KEY NO.	PART NO.	DESCRIPTION
1	-----	Engine Kohler Model No. SV470-3212 (438330) (Order parts from engine manufacturer.)
2	532 18 86-55	Muffler
9	532 19 43-20	Keeper Belt Engine
12	532 40 54-71	Pulley Engine
15	532 40 75-45	Tank Fuel 1.5
18	532 43 02-20	Cap Fuel
20	532 18 38-97	Control Throttle
21	532 41 63-58	Screw #10 x 0.750 BOS Thread
28	532 13 70-40	Fuel Line
29	532 13 71-80	Spark Arrester Kit
37	532 12 34-87	Clamp Hose
42	810 04 07-00	Lock Washer Hvy. 7/16
45	873 51 04-00	Nut Keps Hex 1/4-20 unc
69	532 18 59-09	Gasket
79	532 19 23-34	Screw Socket HD 5/16-18 x .75
83	532 17 18-77	Bolt 5/16-18 unc x 3/4 w/Sems.
85	532 17 39-37	Bolt Hex 7/16-20 x 4 x Gr. 5-1.5 Thr
90	817 00 06-16	Screw 3/8-16 x 1
92	817 12 06-16	Screw 3/8-16 x 1
94	532 18 86-54	Tube Exhaust
96	819 09 14-16	Washer 9/32 x 7/8 x 16 Ga.
97	817 67 04-12	Screw 1/4-20 x 3/4
122	532 42 19-22	Extension Drain Oil

NOTE: All component dimensions given in U.S. inches
1 inch = 25.4 mm

TRACTOR - - MODEL NO. CT154 (96051002501), PRODUCT NO. 960 51 00 25
STEERING ASSEMBLY **41**



steering-tex_HUSQSR_33

TRACTOR - - MODEL NO. CT154 (96051002501), PRODUCT NO. 960 51 00 25
STEERING ASSEMBLY 41

KEY NO.	PART NO.	DESCRIPTION
1	532 43 97-40	Wheel, Steering Husq SR
2	532 19 59-68	Axle Asm., Front
4	532 40 30-87	Spindle Asm., LH
5	532 40 30-88	Spindle Asm., RH
6	532 12 49-31	Bearing, Race Thrust Hardened
7	532 12 17-48	Washer 25/32 x 1-5/8 x 16 Ga.
8	812 00 00-29	Ring, Clip #T5304-75
9	532 12 12-32	Cap, Spindle
13	532 12 17-49	Washer 25/32 x 1-1/4 x 16 Ga.
14	810 04 06-00	Washer, Lock Hvy. Hlcl. Spr. 3/8
15	873 54 06-00	Nut, Crown Lock 3/8-24 unf
16	532 42 93-73	Shaft Steering
19	532 19 47-29	Plate Steering
20	532 44 14-25	Boot, Steering
21	532 18 67-37	Adapter, Wheel Steering
22	532 42 05-37	Supt., Strg. Lower
26	532 43 97-43	Insert, Wheel Steering Husq SR
28	817 00 06-12	Screw 3/8-16 x 3/4
33	810 04 05-00	Washer Lock 5/16
35	532 19 47-32	Gear, Sector Plate
45	819 11 38-12	Washer 11/32 x 3/8 x 12 Ga.
53	532 18 89-67	Washer Hardened .793 x 1.637 x .060
57	532 40 74-65	Bracket Upstop
58	532 19 47-47	Bolt Shoulder Sector Pivot CFM
59	532 19 47-48	Washer Thrust Sector Steering
60	873 97 10-00	Nut Flange Lock 5/8-11
61	532 19 47-40	Draglink, LH
62	532 19 47-41	Draglink, RH
63	817 00 05-12	Screw 5/16-18 x 3/4
64	532 19 98-49	Retainer Clip Spring Steering
66	871 02 07-48	Bolt Hex Fghd. 7/16-14 x 3 Serr.
67	532 19 47-37	Bushing PM Front Axle
68	873 90 07-00	Nut Lock Flange 7/16-14 Gr. 5
69	532 19 91-62	Washer 1.5 x .505 x .118
70	532 19 61-97	Bracket Deck Susp. Front
71	532 19 07-52	Shaft Extension Steering
72	532 42 89-82	Bolt Fin Hx 5/16-18 x 4 w/Patch
122	532 44 49-62	Cap Gear

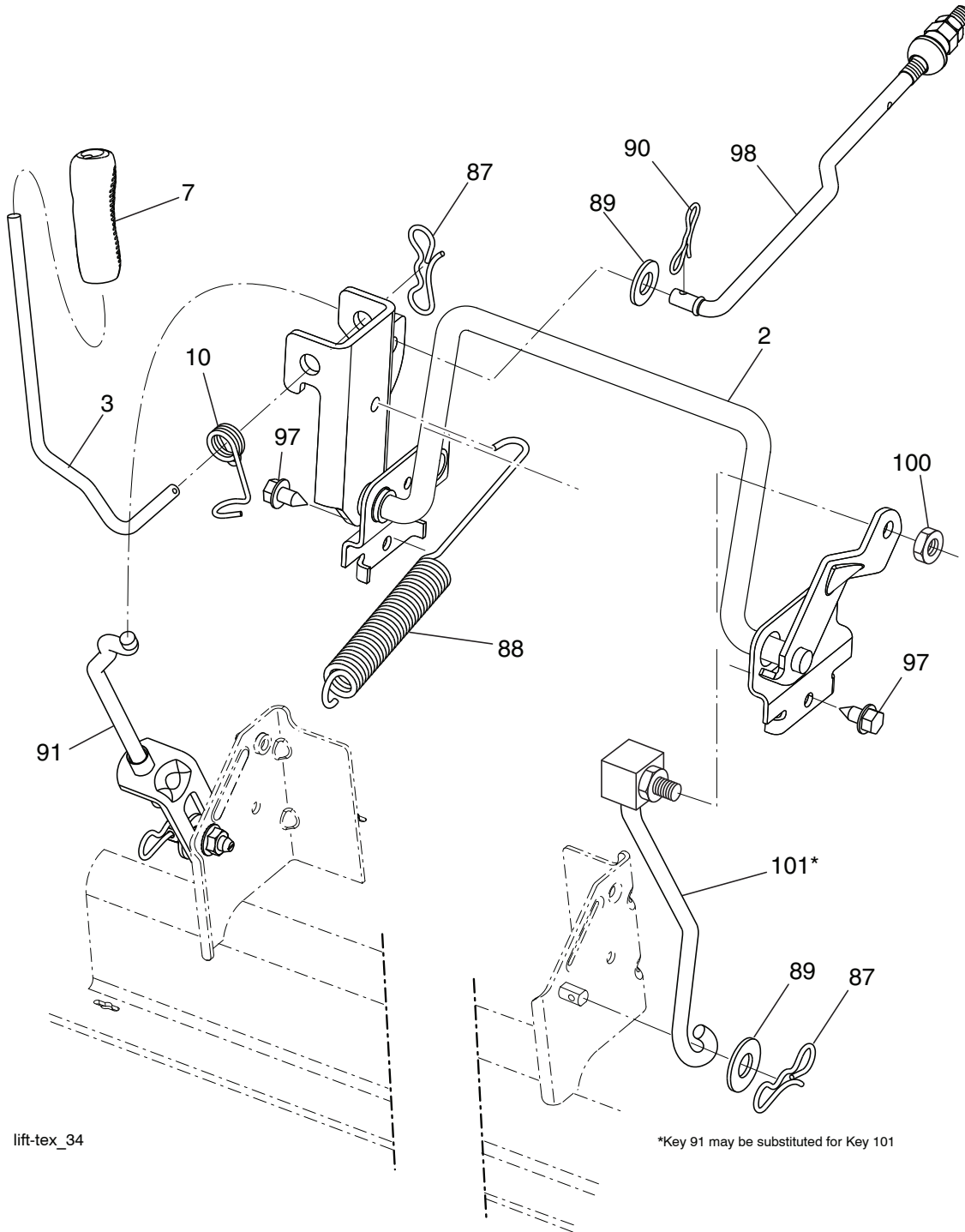
NOTE: All component dimensions given in U.S. inches
1 inch = 25.4 mm

TRACTOR - - MODEL NO. CT154 (96051002501), PRODUCT NO. 960 51 00 25
MOWER DECK 44

KEY NO.	PART NO.	DESCRIPTION	KEY NO.	PART NO.	DESCRIPTION
1	532 4409-71	Deck Weldment	97	532 18 20-61	Shield Idler Mower
3	873 90 05-00	Nut Lock Hex Flange 5/16 - 18	98	532 19 51-61	Stud Fastener
5	817 00 05-10	Bolt 5/16-18	99	532 19 51-86	Arm Suspension Mower Rear
7	532 41 63-58	Screw #10 x 0.750 BOS Thread	100	532 19 65-39	Bolt Shoulder
10	817 00 06-16	Screw 3/8-16x1 smgml tap	101	873 68 09-00	Nut Crownlock 9/16 - 18 unc
11	532 13 77-29	Screw Thd Roll 1/4 - 20 X 5/8	102	532 40 25-11	Spacer Bearing Swing Plate
13	872 11 06-12	Bolt Carr Sh 3/8 - 16 X 1 - 1/2 Gr. 5	103	532 43 69-92	Guard Front Vent
14	532 15 60-85	Keeper Belt Idler	104	532 43 89-68	Mandrel Cover RH
16	873 90 06-00	Nut Lock FIG 3/8 - 16 unc	105	532 43 87-44	Mandrel Cover LH
17	532 40 02-34	Nut Flange Lock Top	106	532 19 32-16	Spring Brake Return
18	532 18 76-90	Washer Spacer Mandrel	110	532 41 53-56	Gear Output
19	532 11 04-85	Bearing Ball Mandrel	111	532 43 69-79	Gasket Gearcase
20	532 17 39-84	Screw Thread Roll	112	532 43 69-88	Shaft Gearcase
23	817 49 06-28	Screw Thdrol 3/8 - 16 X 1-3/4	113	532 43 85-33	Plug Oil
27	532 43 97-26	V-Belt Drive	114	532 43 85-34	Valve Relief
32	532 40 18-72	Spring Return Deck	115	818 03 10-16	Screw Torx #10-24 x 1
33	532 18 72-81	Housing Mandrel 4pt Service	116	872 11 04-14	Bolt 1/4-20 x 1.75 Gr. 5
34	532 19 28-72	Shaft Asm Mndrl N/Greaseable38	117	873 90 04-00	Nut Hex Flange 1/4-20 unc
35	532 42 79-84	Blade Mower LH	118	532 43 69-89	Arm Clutching
36	532 19 30-03	Bolt/Washer Asm 7/16 - 20 unf	119	532 43 81-66	Gearcase Subasm
37	819 13 13-16	Washer 13/32 x 13/16 x 16 Ga.	120	532 43 69-91	Keeper Belt RH
40	532 19 72-58	Keeper Belt Engine LH	121	532 43 69-85	Washer
42	817 00 05-12	Screw 5/16-18 x 3/4	124	532 43 69-86	Non Greasable Mandrel Shaft
43	532 19 74-73	Pulley Mandrel	125	532 43 69-94	Bracket Idler Chasses
45	532 13 71-52	Housing Mandrel	127	532 19 34-06	Bolt Shoulder 3/8-16 x 3-5/8 Gr. 5
67	532 40 30-12	Handle Clutch Cable	128	532 17 48-73	Wheel Guage
70	532 40 12-46	Clutch Asm Manual LT Pred	129	532 40 48-51	Rod Anti-Sway
71	817 67 06-08	Screw Thdrol 3/8-16 x 1/2	130	819 13 13-12	Washer 13/32 x 13/16 x 12 Ga.
72	532 44 68-10	Chute Upper	131	532 19 42-08	Pin Cotter 5/16 Bow Tie Lock
75	532 13 14-94	Pulley Idler Flat	132	532 17 88-99	Knob Handle
76	532 41 55-98	Washout Port	152	532 44 04-88	Cable Clutch Manual w/Spring
80	532 42 30-62	Palnut 1/4	252	581 55 44-02	Plate Left Bolt
84	532 43 25-20	Keeper Belt LH Mandrel	253	581 55 45-02	Palte LHS Bolt
85	532 42 79-85	Blade Mower RH	254	581 55 47-02	Plate RHS Bolt
86	532 18 17-13	Bolt 3/8-24 x 1.50 Gr. 8	255	539 10 98-00	Carraige Bolt
87	810 03 06-00	Washer Lock Hvy 3/8	--	532 19 28-70	Mandrel Assembly (Includes Housing, Shaft Assembly, And Bearing Only - Pulley/Nut/Washer And Blade Bolt/Washers Not Included)
88	532 14 02-96	Washer Hard Blade Mower Vented			
89	532 43 81-24	Arm Brake 97 LH			
90	532 19 90-92	Spacer Retainer			
91	819 13 20-12	Washer 13/32 x 1-1/4 x 12 Ga.			
92	532 43 69-93	Rod Brake	--	532 44 84-86	Replacement Mower Complete
93	532 43 81-25	Arm Brake RH			
94	532 19 72-50	Bracket Clutch Cable			
95	817 00 06-12	Screw 3/8-16 x 3/4			
96	532 40 02-71	Spacer			

NOTE: All component dimensions given in U.S. inches
1 inch = 25.4 mm

TRACTOR - - MODEL NO. CT154 (96051002501), PRODUCT NO. 960 51 00 25
MOWER LIFT 45

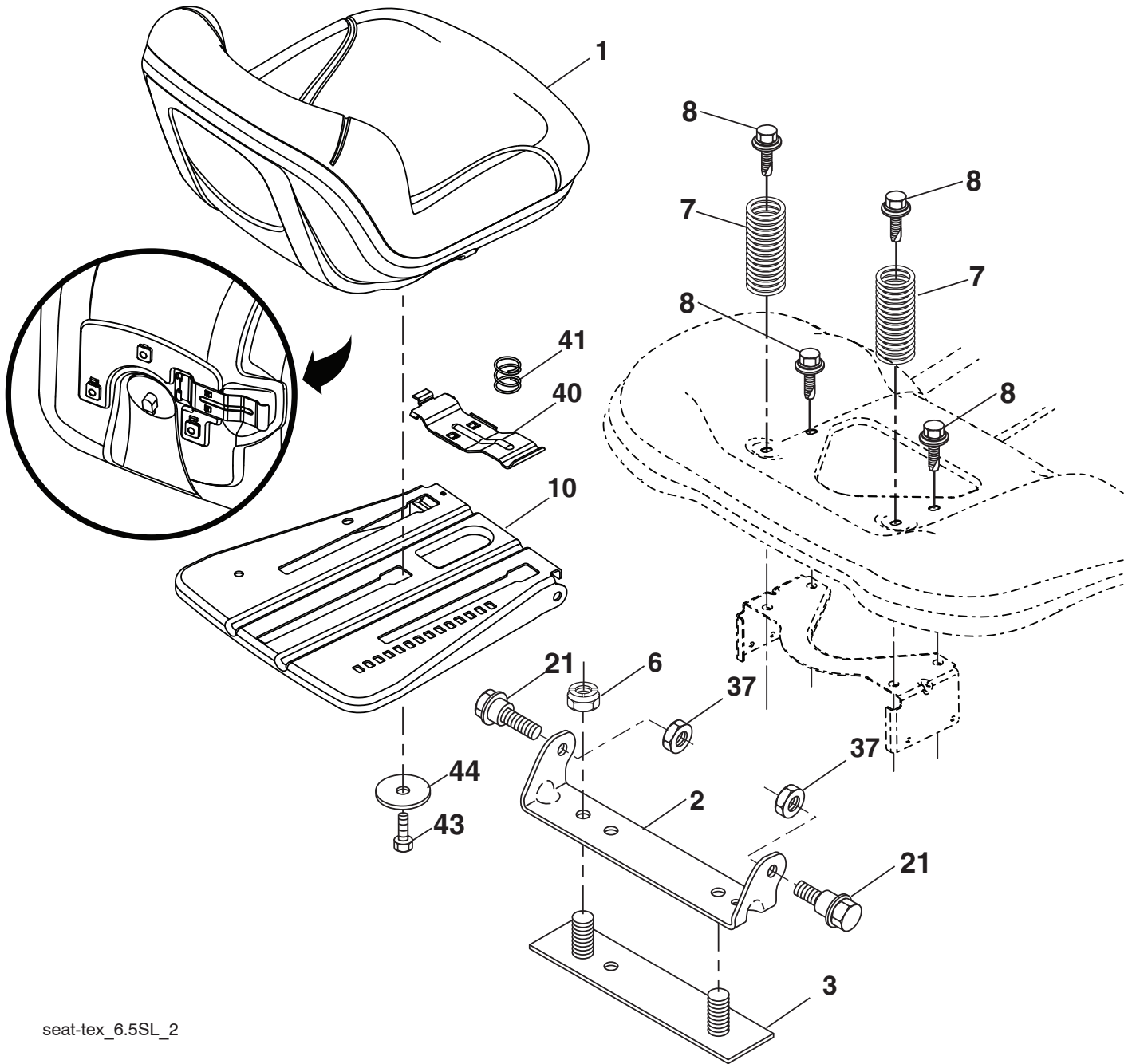


KEY NO.	PART NO.	DESCRIPTION
2	532 43 69-96	Deck Lift Weldment
3	532 19 52-31	Lever Asm., Lift RH
7	532 41 15-55	Grip, Lever
10	532 19 63-14	Spring Torsion
87	532 19 42-09	Pin Cotter 7/16 Bow Tie Lock
88	532 43 69-95	Spring Lift Assist
89	819 19 19-12	Washer Clear Zinc
90	532 19 42-08	Pin Cotter 5/16 Bow Tie Lock

KEY NO.	PART NO.	DESCRIPTION
91	532 19 51-81	Link Lift Susp. Mower Rear
97	817 49 06-08	Screw 3/8-16 x 1/2
98	532 19 52-70	Link Lift Susp. Front Mower
100	873 93 06-00	Nut Centerlock 3/8-16
101	532 40-70-03	Link Asm. Lift FXD

NOTE: All component dimensions given in U.S. inches
 1 inch = 25.4 mm

TRACTOR - - MODEL NO. CT154 (96051002501), PRODUCT NO. 960 51 00 25
SEAT ASSEMBLY 42



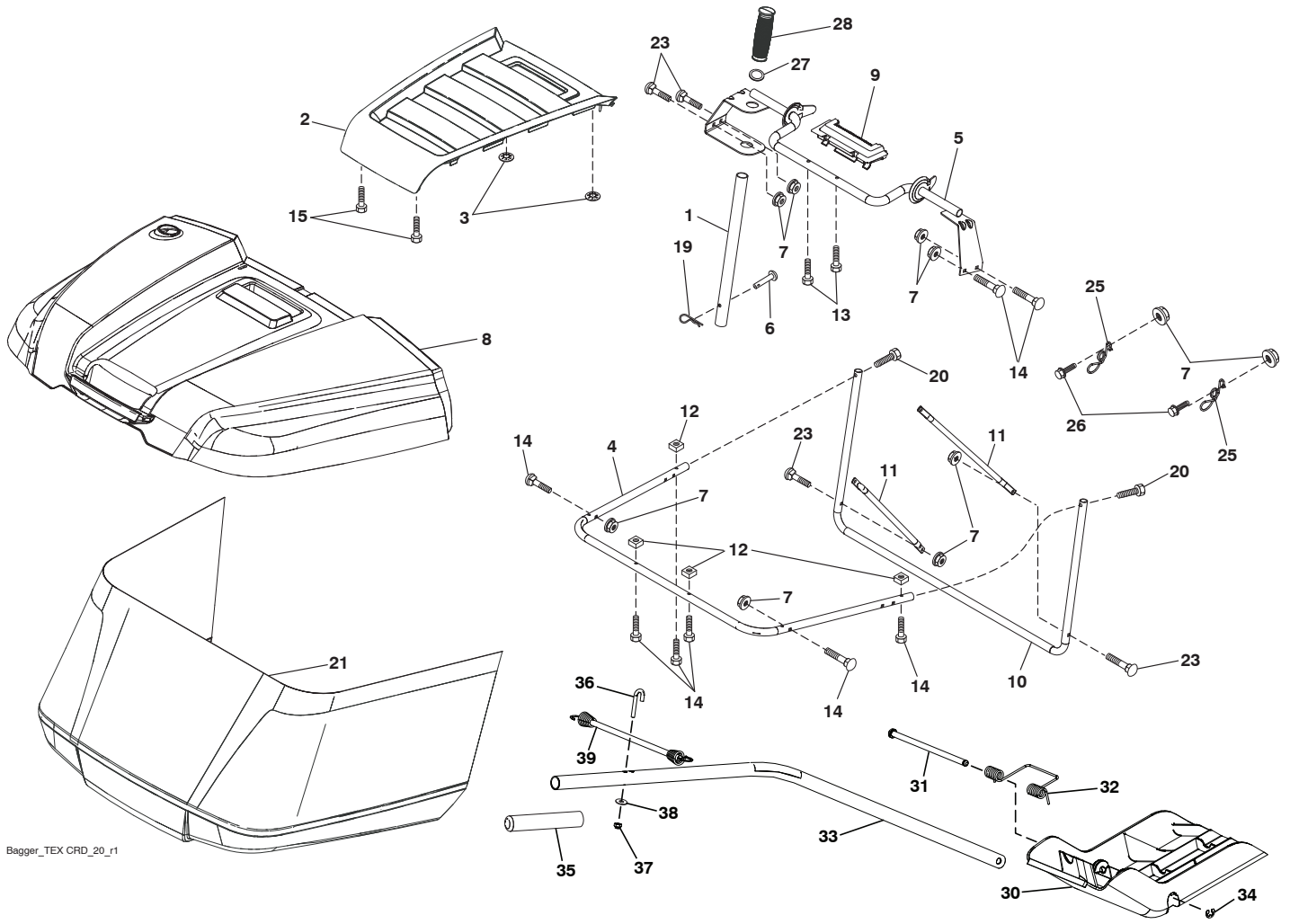
seat-tex_6.5SL_2

KEY NO.	PART NO.	DESCRIPTION
1	532 43 98-19	Seat
2	532 18 01-66	Bracket Pivot Fender
3	532 14 06-75	Strap, Asm. Fender
6	873 80 06-00	Nut, Lock w/Ins. 3/8-16 unc
7	532 12 41-81	Spring, Seat Cprsn.
8	532 17 18-77	Bolt 5/16-18 unc x 3/4 w/Sems.
10	532 19 69-77	Pan, Seat
21	532 17 18-52	Bolt, Shoulder 5/16-18

KEY NO.	PART NO.	DESCRIPTION
37	873 80 05-00	Nut, Lock 5/16-18 unc
40	532 19 76-61	Handle
41	532 19 82-00	Spring
43	874 76 06-12	Bolt 3/8-16 unc x 3/4
44	819 13 38-12	Washer 13/32 x 2-3/8 x 12 Ga.

NOTE: All component dimensions given in U.S. inches
 1 inch = 25.4 mm

TRACTOR - - MODEL NO. CT154 (96051002501), PRODUCT NO. 960 51 00 25
BAGGER **46**



Bagger_TEX CRD_20_r1

TRACTOR - - MODEL NO. CT154 (96051002501), PRODUCT NO. 960 51 00 25
BAGGER 46

KEY NO.	PART NO.	DESCRIPTION
1	532 42 86-10	Tube Handle Bagger
2	532 44 13-58	SRD Bagger Applique
3	532 41 38-08	Nut Push
4	532 43 96-12	Frame Asm Bagger Top
5	532 41 76-32	Frame Asm Top Bagger
6	532 12 68-75	Rivet Drilled
7	873 90 04-00	Nut Hex Flange 1/4-20 unc
8	532 44 12-61	Cover Bagger
9	532 41 76-29	Insert Handle Bagger
10	532 43 67-70	Frame Front
11	532 43 67-71	Tubing Brace Bagger
12	532 42 17-93	Nut Square 1/4
13	532 42 17-80	Screw 1/4 x 1.150
14	532 42 18-00	Bolt Shoulder 1/2 x 1.150
15	532 42 18-01	Screw #8 Flat Head Drill Tip
19	532 19 42-08	Cotter Pin 5/16 Bow Tie
20	585 36 88-01	Screw Hex Cap 1/4-20 x 1.375
21	532 44 83-06	Bag Asm
23	872 04 04-10	Bolt Carr. 1/4-20
25	532 42 16-14	Spring Latch Bagger
26	817 49 04-12	Screw Hexwsh Thdrol 1/4-20 x 3/4
27	532 42 12-62	Grommet Rubber
28	532 16 57-87	Grip Handle Black
30	532 43 74-52	Plug
31	532 43 58-61	Pin Hinge
32	532 43 74-54	Spring Double Torsion
33	532 43 84-51	Shaft Mulch Plug
34	532 43 79-88	E-Ring 5/16
35	532 43 91-39	Grip Mulch Plug
36	532 43 90-98	Bolt J
37	532 06 91-80	Nut Lock #10-24 unc
38	819 07 08-18	Washer 7/32 x 1/2
39	532 43 92-42	Bungee

NOTE: All component dimensions given in U.S. inches
1 inch = 25.4 mm

