

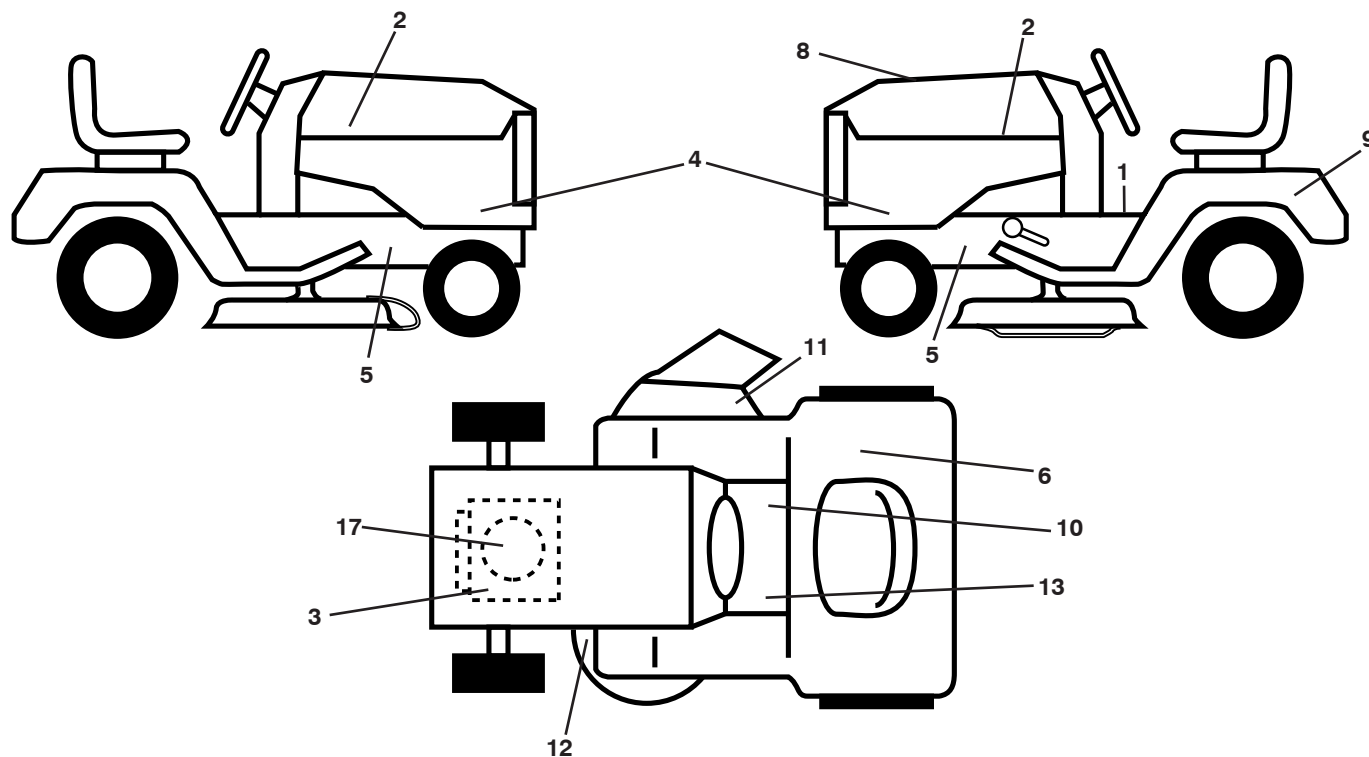
ILLUSTRATED PARTS LIST

MODEL NO. 96051000701

CUSTOMER CATALOG NO. CT126

PRODUCT NO. 960 51 00-07

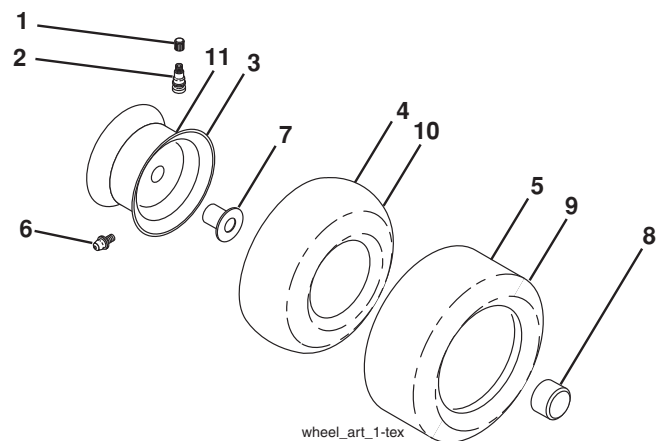
TRACTOR - - MODEL NO. CT126 (96051000701), PRODUCT NO. 960 51 00-07
DECALS 27



KEY NO.	PART NO.	DESCRIPTION
1	532 40 03-89	Decal, Operators
2	581 62 73-01	Decal, Hood Logo
3	532 19 68-41	Decal, Warning Eng. Symbols
4	532 44 00-96	Decal, Hood Panel
5	532 15 97-36	Decal, Chassis Hot Muffler
6	532 18 04-32	Decal, Fender 100 DB/CE
8	532 43 29-04	Decal, Rpl
9	532 14 50-05	Decal, Battery Dnge/Poi
10	532 14 08-37	Decal, Saddle Brake Parking
11	532 42 51-13	Decal, Warning DFlect/Ctfingr

KEY NO.	PART NO.	DESCRIPTION
12	532 42 15-43	Decal, Mower V-Belt Schematic
13	532 15 97-37	Decal, Brake/Clutch Symbol
17	532 43 74-10	Decal, BS Engine
--	532 42 52-58	Pad, Footrest, LH
--	532 42 53-39	Pad, Footrest, RH
--	532 44 00-35	Manual Oper. Euro
--	532 44 00-36	Manual Oper. Scand
--	532 44 00-38	Manual Oper. E-Bloc
--	532 44 00-40	Manual Oper. Baltic

WHEELS AND TIRES



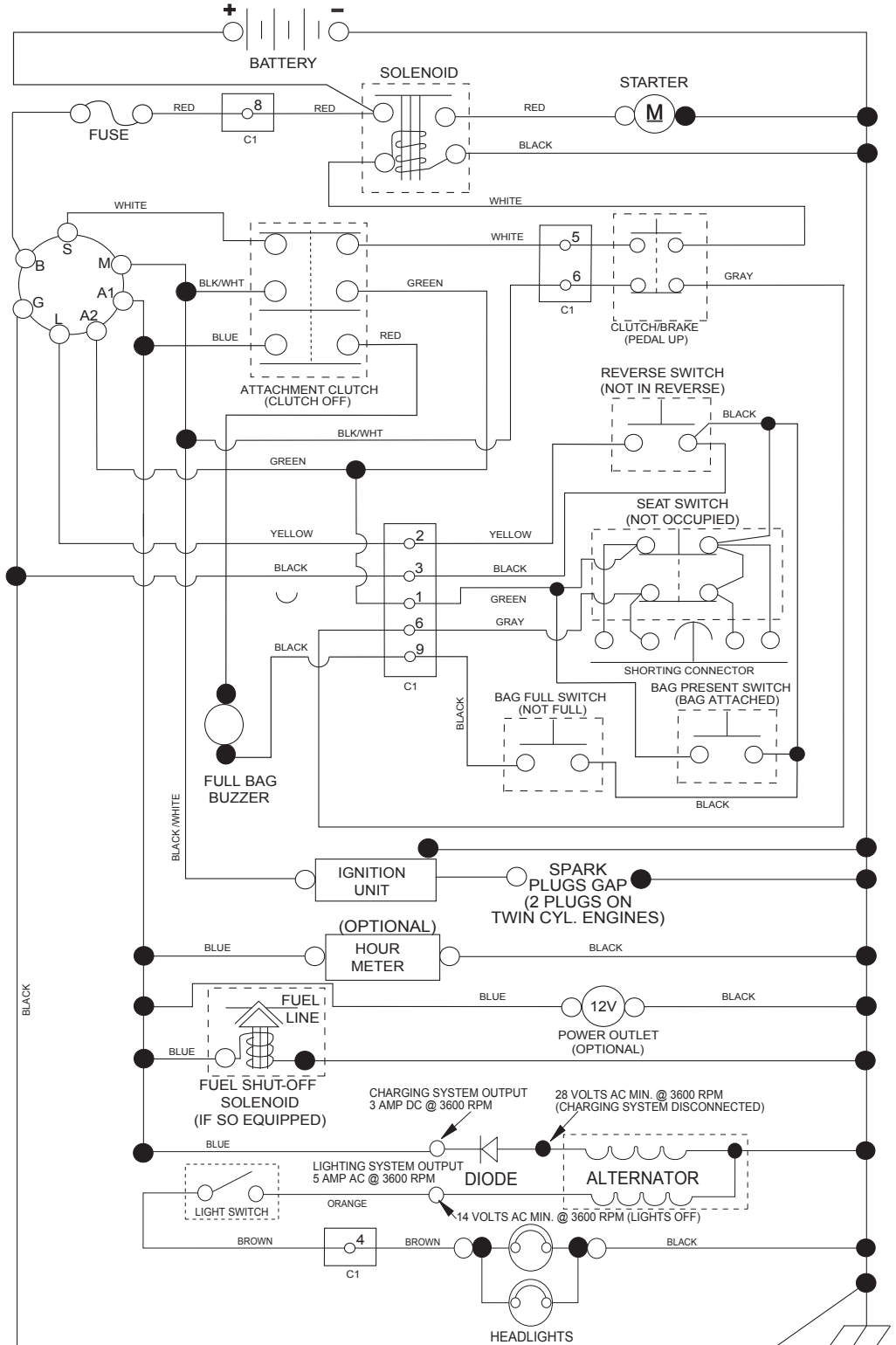
KEY NO.	PART NO.	DESCRIPTION
1	532 05 91-92	Cap Valve Tire
2	532 06 51-39	Stem Valve
3	532 42 52-61	Rim Asm 6 x 3.25 Front
4	532 42 16-52	Tube Front 13x5-6 (Service Item Only)
5	532 12 34-10	Tire F T 13 x 5.0 - 6
6	532 12 49-57	Fitting Grease (Front Wheel Only)
7	532 12 49-59	Bearing Flange (Front Wheel Only)
8	532 17 50-39	Cap Axle Blk 1 50 x 1 00
9	532 10 62-30	Tire R 16 x 6.5
10	532 00 71-54	Tube Rear (Service Item Only)
11	532 42 52-62	Rim Asm 8 x 5.375 Rear
--	532 14 43-34	Sealant, Tire (10 oz. Tube)

NOTE: All component dimensions given in U.S. inches
 1 inch = 25.4 mm

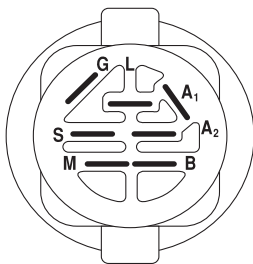
TRACTOR - - MODEL NO. CT126 (96051000701), PRODUCT NO. 960 51 00-07

SCHEMATIC **38**

SCH17

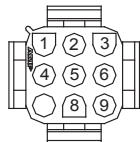


NOTE
YOUR TRACTOR IS EQUIPPED WITH A SPECIAL ALTERNATOR SYSTEM. THE LIGHTS ARE NOT CONNECTED TO THE BATTERY, BUT HAVE THEIR OWN ELECTRICAL SOURCE. BECAUSE OF THIS, THE BRIGHTNESS OF THE LIGHTS WILL CHANGE WITH ENGINE SPEED. AT IDLE THE LIGHTS WILL DIM. AS THE ENGINE SPEED IS INCREASED, THE LIGHTS WILL BECOME THEIR BRIGHTEST.

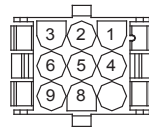


IGNITION SWITCH

POSITION	CIRCUIT	"MAKE"
OFF	M+G+A1	
RUN/OVERRIDE	B+A1	
RUN	B+A1	L+A2
START	B + S + A1	



CHASSIS HARNESS CONNECTOR (C1) (MATING SIDE)



DASH HARNESS CONNECTOR (C1) (MATING SIDE)

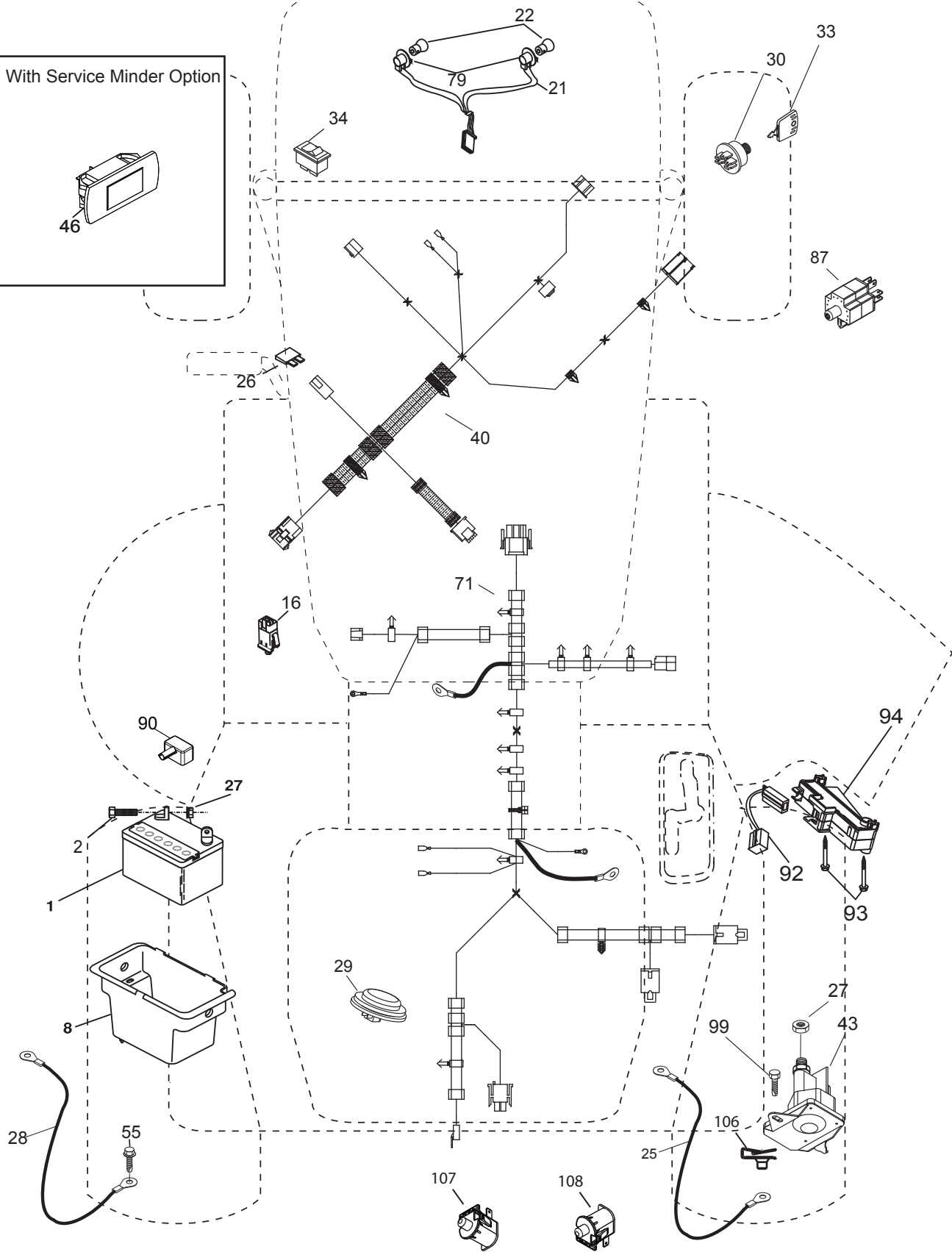
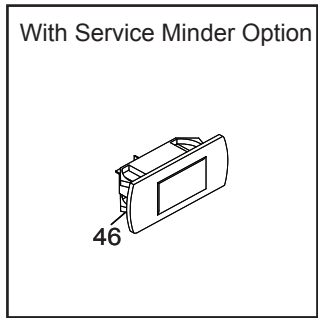
WIRING INSULATED CLIPS
NOTE: IF WIRING INSULATED CLIPS WERE REMOVED FOR SERVICING OF UNIT, THEY SHOULD BE RE-INSTALLED TO PROPERLY SECURE YOUR WIRING.

● NON-REMOVABLE CONNECTIONS

○ REMOVABLE CONNECTIONS

TRACTOR - - MODEL NO. CT126 (96051000701), PRODUCT NO. 960 51 00-07
ELECTRICAL **32**

S01S



TRACTOR - - MODEL NO. CT126 (96051000701), PRODUCT NO. 960 51 00-07
ELECTRICAL 32

KEY NO.	PART NO.	DESCRIPTION
1	532 14 49-24	Battery
2	874 76 04-12	Bolt Hex Head 1/4-20 x 3/4
8	532 41 97-91	Box Battery
16	532 17 61-38	Switch Interlock Push-In
21	532 40 02-52	Harness Socket Light w/4152J
22	532 00 41-52	Bulb Light
25	532 41 66-94	Cable Starter
26	532 17 51-58	Fuse
27	873 51 04-00	Nut Keps Hex 1/4-20 unc
28	532 42 16-86	Cable, Ground
29	532 40 15-45	Switch, Seat
30	532 19 33-50	Switch, Ign
33	532 41 19-35	Key/Chain
34	532 11 07-12	Switch Light/Reset
40	532 42 10-02	Harness Ign. Dash
43	532 19 25-07	Solenoid
55	817 06 05-12	Screw Thdrol 5/16-18 x 3/4 TYTT
71	532 42 94-12	Harness Ign. Chassis
79	532 17 52-42	Socket Asm. Bulb
87	532 42 10-60	Switch Railmount NO-NC-NC
90	532 43 53-95	Cover Terminal
92	532 19 66-15	Harness Pigtail Console ROS
93	532 19 25-40	Screw Plastite 14 X 6
94	532 19 18-34	Module Reverse ROS
99	817 67 04-12	Screw 1/4-20 x 3/4
106	532 17 48-14	Palnut 1/4 Lugs
107	532 42 10-61	Switch Snapmount No #2
108	532 42 10-62	Switch Snapmount NC

NOTE: All component dimensions given in U.S. inches
1 inch = 25.4 mm

**TRACTOR - - MODEL NO. CT126 (96051000701), PRODUCT NO. 960 51 00-07
CHASSIS AND ENCLOSURES 39**

KEY NO.	PART NO.	DESCRIPTION	KEY NO.	PART NO.	DESCRIPTION
3	532 40 50-12	Logo	203	532 41 10-75	Vent Side Hood LH
5	532 40 75-92	Dash	204	532 41 11-16	Vent Top Hood
14	532 44 12-67	Hood	205	532 41 10-76	Skirt Side RH
15	532 41 10-79	Lens LH	206	532 41 10-77	Skirt Side LH
18	532 42 69-63	Grille	213	874 76 05-12	Bolt 5/16-18 x 3/4
25	532 41 10-78	Lens RH	214	532 19 91-45	Clip Retainer
34	532 19 61-25	Plate Engine	217	532 40 91-67	Rod Pivot Hood
36	817 06 05-12	Screw 5/16-18 x 3/4	218	532 19 63-95	X-Piece Hood Stop
37	532 44 05-29	Fender	228	532 19 51-61	Stud Fastener
52	873 68 05-00	Nut Crown Lock 5/16	234	532 40 47-42	Bumper Hood
58	532 41 22-80	Drawbar Upper	235	532 40 61-29	Spacer Fender
68	817 49 05-08	Screw Thdrol. 5/16-18 x 1/2	236	873 93 05-00	Nut Lock 5/16-18 unc
130	532 41 63-58	Screw #10 x 0.750 BOS Thread	238	532 41 11-19	Trim
137	532 40 75-90	Bumper Dash	239	532 40 48-83	Clip Tinnerman
150	532 40 66-62	Air Duct	282	532 41 41-10	Clip Retainer
151	532 40 78-07	Bracket Pivot	283	532 44 05-31	Console Deck Lift
152	532 19 95-35	Shield Browning	284	532 44 08-59	Console Shift
159	817 00 06-12	Screw Kexwsh Thdr 3/8-16 x 3/4	287	817 60 04-06	Screw Hex Washhead 1/4-20 x 3/8
162	532 14 24-32	Screw Hex Wsh. Hi-Lo 1/4 x 1/2 unc	297	532 40 66-65	Insert Reflective LH
175	532 19 94-72	Crossmember	308	532 17 18-77	Bolt 5/16-18 unc x 3/4
176	532 40 07-76	Screw 10-24 x 5/8	309	532 43 02-46	Backplate Bagger SRD
177	532 19 52-28	Bushing Steering	310	532 44 66-36	Bracket Hangar Bag LH
180	532 41 46-85	Chassis	311	532 44 66-37	Bracket Hangar Bag RH
182	532 40 71-76	Dash Lower	319	532 17 46-62	Bracket Actuator
183	874 52 05-20	Bolt 5/16-18 x 1-1/2 Full Thd.	---	532 41 11-15	Plug Dash SVCMNDR
189	817 00 05-12	Screw 5/16-18 x 3/4			
191	532 41 65-01	Insert Reflective RH			
194	873 90 05-00	Nut Lock Hex Flange 5/16-18			
199	532 41 87-39	Plate Deck Lift			
202	532 41 10-74	Vent Side Hood RH			

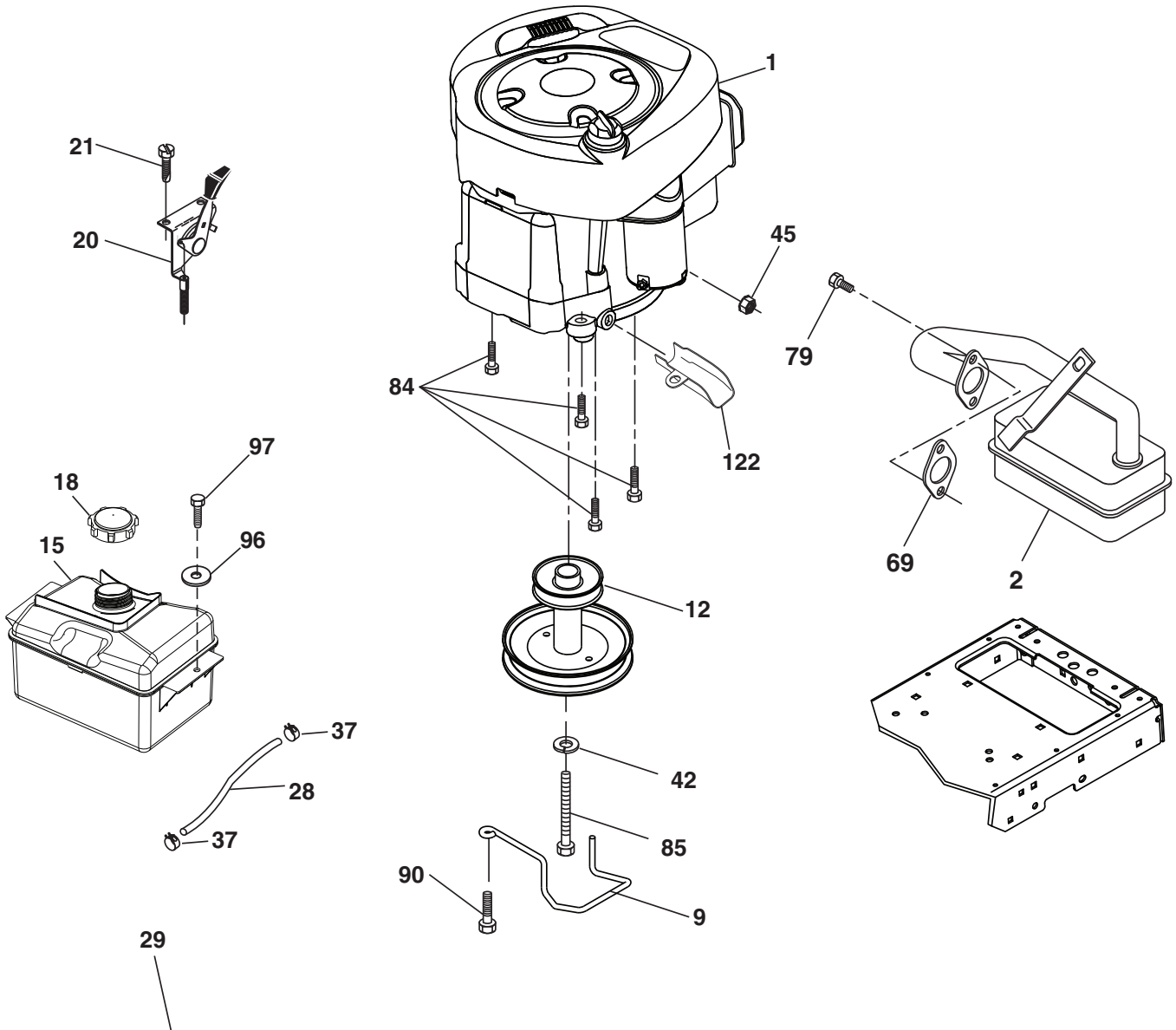
NOTE: All component dimensions given in U.S. inches
1 inch = 25.4 mm

TRACTOR - - MODEL NO. CT126 (96051000701), PRODUCT NO. 960 51 00-07
DRIVE 40

KEY NO.	PART NO.	DESCRIPTION	KEY NO.	PART NO.	DESCRIPTION
1	---	Transaxle, Peerless 206-565	172	532 19 76-57	Strap Torque LH
2	532 12 35-83	Key Square	174	532 19 72-89	Nut Push
15	819 13 13-16	Washer 13/32 x 13/16 x 16 Ga.	175	532 19 78-58	Shaft Asm Shift
17	532 19 72-97	Spring, Brake	176	532 19 62-14	Arm Clevis Rod Shift
22	532 41 66-14	Rod Shift	178	532 19 63-14	Spring Shift
23	532 12 12-74	Knob	183	532 13 70-57	Spacer, Axle
26	532 19 74-55	Spring Brake RTN	184	532 40 97-47	Handle Parking Brake
29	532 19 72-67	Rod, Brake	185	872 11 06-22	Bolt
33	812 00 00-01	Ring E	186	532 19 43-21	Spacer Retainer
35	532 40 10-31	Rod, Brake, Park	187	819 13 32-10	Washer
37	532 12 17-49	Washer 25/32 x 1-1/4 x 16 Ga.	188	532 19 43-23	Link Clutch Ground Drive
42	532 12 48-72	Cover, Foot Pedal	189	532 19 43-17	Bellcrank Ground Drive
49	872 11 06-14	Bolt	190	532 19 43-18	Keeper Bellcrank Ground Drive
50	532 19 43-27	Pulley Idler Flat	192	532 15 03-60	Nut Lock Center 1/4-28
51	873 90 06-00	Lock Nut 3/8-16	193	817 06 05-12	Screw 5/16-18 x 3/4
52	532 19 43-26	Idler V-Groove	195	532 19 73-32	Bracket Brake Rod
56	532 13 82-55	V-Belt, Drive	202	532 19 78-59	Link Shift
61	532 16 59-99	Pulley Transaxle	203	819 11 11-16	Washer 11/32 x 11/16 x 16 Ga.
64	532 19 62-00	Shaft Asm. Pedal Brake Control	205	532 12 17-48	Washer 25/32 x 1-5/8 x 16 Ga.
73	874 49 05-40	Bolt 5/16-18 x 2 1/2 Gr. 5	221	532 40 31-87	Retainer Spring Clip Handle
116	873 90 05-00	Nut Lock Hex Flange 5/16-18	232	874 78 07-16	Bolt 7/16-14 x 1 Gr. 5
125	817 00 05-12	Screw 5/16-18 x 3/4	233	532 40 52-96	Washer Serrated
134	532 19 78-57	Arm Shift	263	817 00 06-12	Screw Hexwsh THDR 3/8-16 x 3/4
139	874 55 04-12	Bolt 1/4-20 unf Gr. 8 w/Patch	268	532 18 24-02	Guard Muffler
140	810 04 04-00	Washer Lock Hvy Helical 1/4	275	819 13 16-14	Washer 13/32 x 1 x 14 Ga.
141	819 09 12-10	Washer 9/32 x 3/4 x 10 Ga.	287	532 42 16-48	Keeper Pulley Transaxle
153	532 12 47-88	Retainer Spring 1"	288	532 41 66-17	Link Shift Slave
155	812 00 00-28	Ring Retainer	289	532 41 75-20	Bracket Support Shift Outer
157	532 10 57-01	Washer Plate Shf	290	532 42 00-14	Shaft Asm. Shift Rear
158	532 19 43-52	Keeper T/A	292	532 41 93-07	Plate Asm. Shift
159	876 02 04-12	Pin Cotter 1/8 x 3/4			
160	532 16 94-84	Retainer Clip			
161	532 10 57-09	Spring, Return, Clutch			
165	532 19 62-12	Busing Shaft Brake Hand Control			
166	532 42 91-64	Nut Push .625			
167	532 40 52-57	Latch Brake Parking			

NOTE: All component dimensions given in U.S. inches
1 inch = 25.4 mm

TRACTOR - - MODEL NO. CT126 (96051000701), PRODUCT NO. 960 51 00-07
ENGINE 24



OPTIONAL EQUIPMENT
Spark Arrester

engine-tex_BS_36

**TRACTOR - - MODEL NO. CT126 (96051000701), PRODUCT NO. 960 51 00-07
ENGINE 24**

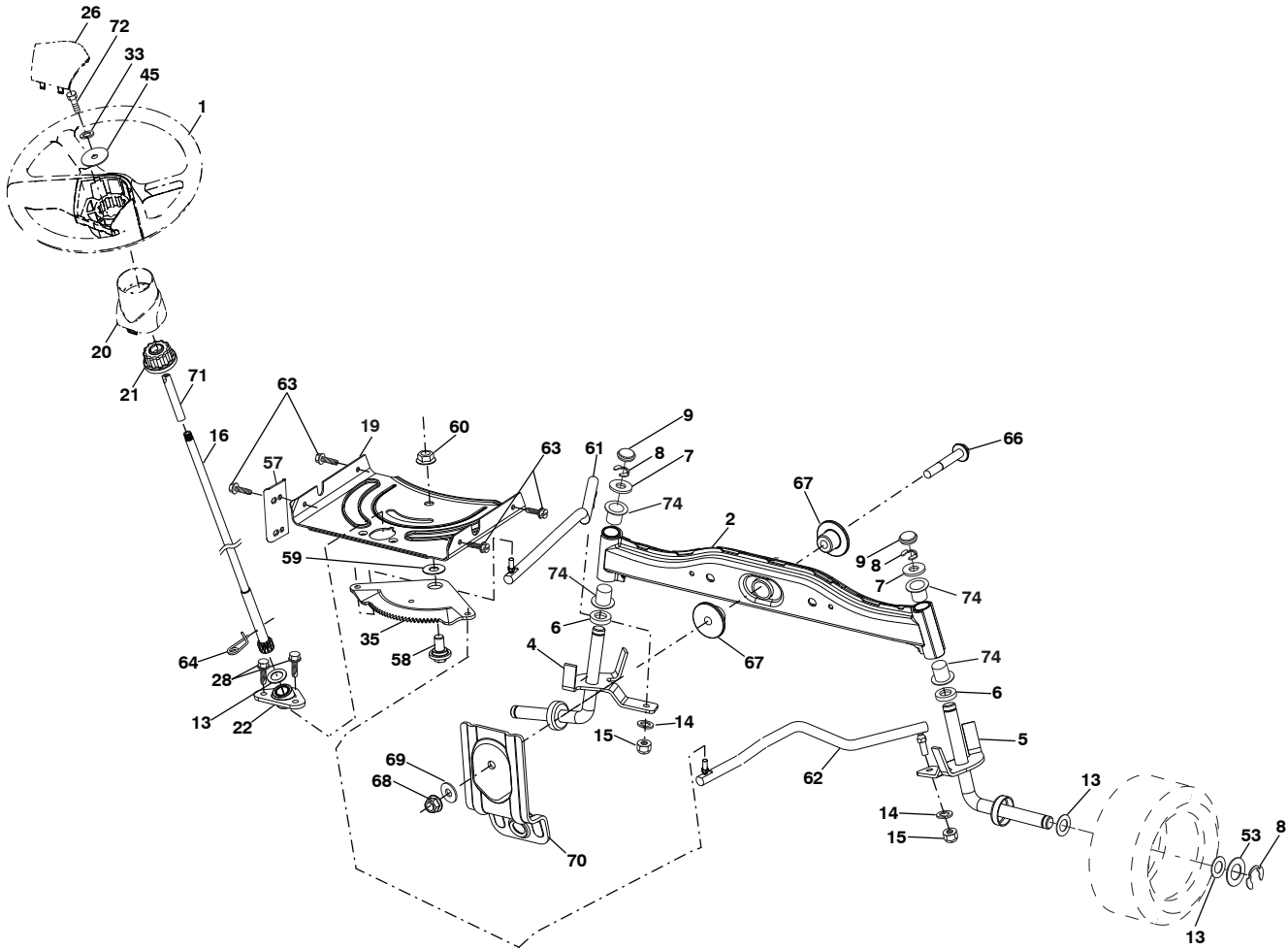
KEY NO.	PART NO.	DESCRIPTION
1	-----	Engine BS Model No. 219807-1210-B1
2	532 17 97-58	Muffler
9	532 19 43-19	Keeper Belt Engine
12	532 14 01-86	Pulley Engine
15	532 40 75-45	Tank Fuel 1.5
18	532 43 02-20	Cap Fuel
20	532 18 38-97	Control Throttle
21	532 41 63-58	Screw #10 x 0.750 BOS Thread
28	532 13 70-40	Fuel Line
29	532 13 71-80	Spark Arrester Kit
37	532 12 34-87	Clamp Hose
42	810 04 07-00	Washer Lock Hvy HLCL SPR 7/16
45	873 51 04-00	Nut Keps Hex 1/4-20 unc
69	532 16 52-91	Gasket
79	532 19 23-34	Screw Socket HD 5/16 - 18 x 75
84	817 06 06-20	Screw 3/8-16 x 1-1/4
85	532 17 39-37	Bolt Hex 7/16-20 x 4 Gr. 5
90	817 00 06-16	Screw 3/8-16 x 1
96	819 09 14-16	Washer 9/32 x 7/8 x 16 Ga.
97	817 67 04-12	Screw 1/4-20 x 3/4
122	532 42 19-22	Extension Drain Oil

NOTE: All component dimensions given in U.S. inches
1 inch = 25.4 mm

Engine Power Rating Information

The gross power rating for individual gas engine models is labeled in accordance with SAE (Society of Automotive Engineers) code J1940 (Small Engine Power & Torque Rating Procedure), and rating performance has been obtained and corrected in accordance with SAE J1995 (Revision 2002-05). Torque values are derived at 3060 RPM; horsepower values are derived at 3600 RPM. Actual gross engine power will be lower and is affected by, among other things, ambient operating conditions and engine-to-engine variability. Given both the wide array of products on which engines are placed and the variety of environmental issues applicable to operating the equipment, the gas engine will not develop the rated gross power when used in a given piece of power equipment (actual "on-site" or net power). This difference is due to a variety of factors including, but not limited to, accessories (air cleaner, exhaust, charging, cooling, carburetor, fuel pump, etc.), application limitations, ambient operating conditions (temperature, humidity, altitude), and engine-to-engine variability. Due to manufacturing and capacity limitations, Briggs & Stratton may substitute an engine of higher rated power for this Series engine.

TRACTOR - - MODEL NO. CT126 (96051000701), PRODUCT NO. 960 51 00-07
STEERING ASSEMBLY [41]

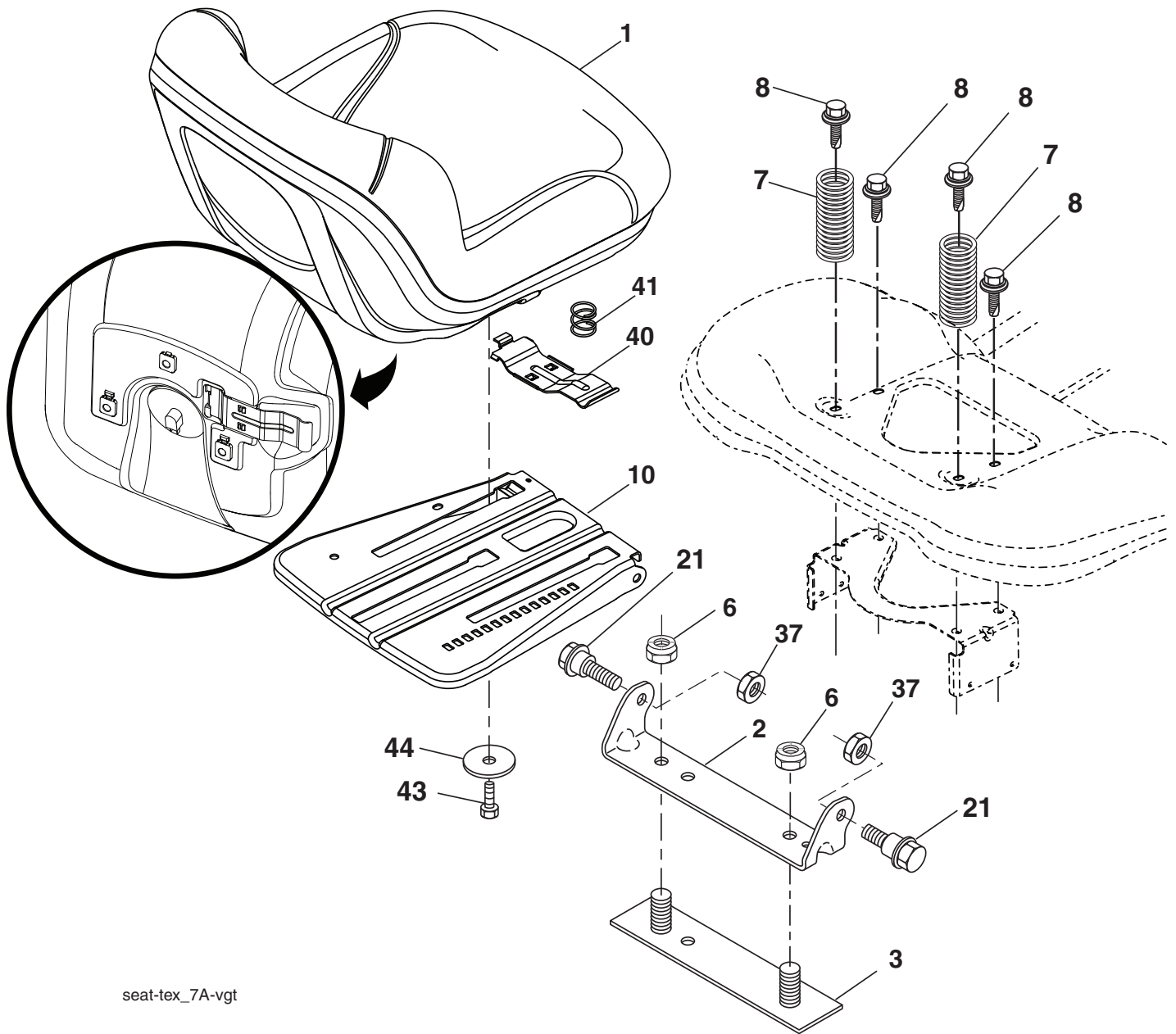


steering-tex_STDHRS_8

KEY NO.	PART NO.	DESCRIPTION	KEY NO.	PART NO.	DESCRIPTION
1	532 41 64-80	Wheel, Steering Husq SR	53	532 18 89-67	Washer Hardened .793x1.637x.060
2	532 41 81-68	Axle Asm., Front	57	532 40 74-65	Bracket Upstop
4	532 41 68-45	Spindle Asm., LH	58	532 19 47-47	Bolt Shoulder Sector Pivot CFM
5	532 41 68-46	Spindle Asm., RH	59	532 19 47-48	Washer Thrust Sector Steering
6	532 12 49-31	Bearing, Race Thrust Hardened	60	873 97 10-00	Nut Flange Lock 5/8-11
7	532 12 17-48	Washer 25/32 x 1-5/8 x 16 Ga.	61	532 19 47-40	Draglink, LH
8	812 00 00-29	Ring, Klip #T5304-75	62	532 19 47-41	Draglink, RH
9	532 12 12-32	Cap, Spindle	63	817 00 05-12	Screw 5/16-18 x 3/4
13	532 12 17-49	Washer, 25/32 x 1-1/4 x 16 Ga.	64	532 19 98-49	Retainer Clip Spring Steering
14	810 04 06-00	Washer, Lock Hvy Hlcl Spr 3/8	66	871 02 07-48	Bolt Hex Fghd 7/16-14 x 3 Serr
15	873 54 06-00	Nut, Crown Lock 3/8-24 unf	67	532 19 47-37	Bushing PM Front Axle
16	532 42 93-73	Shaft Steering	68	873 90 07-00	Nut Lock Flange 7/16-14 Gr. 5
19	532 19 47-29	Plate Steering	69	532 19 91-62	Washer 1.5 x .505 x .118
20	532 41 11-39	Boot, Steering	70	532 41 70-65	Bracket Deck Susp. Front
21	532 18 67-37	Adapter, Wheel Steering	71	532 19 07-52	Shaft Extension Steering
22	532 42 05-37	Strg. Supt. Lower	72	532 42 89-82	Bolt Fin. Hx. 5/16-18 x 4 w/Patch
26	532 41 59-87	Insert, Wheel Steering Husq SR	74	532 12 49-37	Bearing
28	817 00 06-12	Screw 3/8-16 x 3/4			
33	810 04 05-00	Washer Lock 5/16			
35	532 19 47-32	Gear, Sector Plate			
45	819 11 38-12	Washer 11/32 x 2-3/8 x 12 Ga.			

NOTE: All component dimensions given in U.S. inches
 1 inch = 25.4 mm

**TRACTOR - - MODEL NO. CT126 (96051000701), PRODUCT NO. 960 51 00-07
SEAT ASSEMBLY 42**



seat-tex_7A-vgt

KEY NO.	PART NO.	DESCRIPTION
1	532 42 40-67	Seat
2	532 18 01-66	Bracket Pivot Fender
3	532 14 06-75	Strap, Asm Fender
6	873 80 06-00	Nut, Lock w/Ins. 3/8-16 unc
7	532 12 41-81	Spring, Seat Cprsn
8	532 17 18-77	Bolt 5/16-18 unc x 3/4 w/Sems
10	532 19 69-77	Pan, Seat
21	532 17 18-52	Bolt, Shoulder 5/16-18

KEY NO.	PART NO.	DESCRIPTION
37	873 80 05-00	Nut, Lock 5/16-18 unc
40	532 19 76-61	Handle Slide Seat
41	532 19 82-00	Spring Latch Seat
43	874 76 06-12	Bolt 3/8-16 x 3/4
44	819 13 38-12	Washer 13/32 x 2-3/8 x 12 Ga.

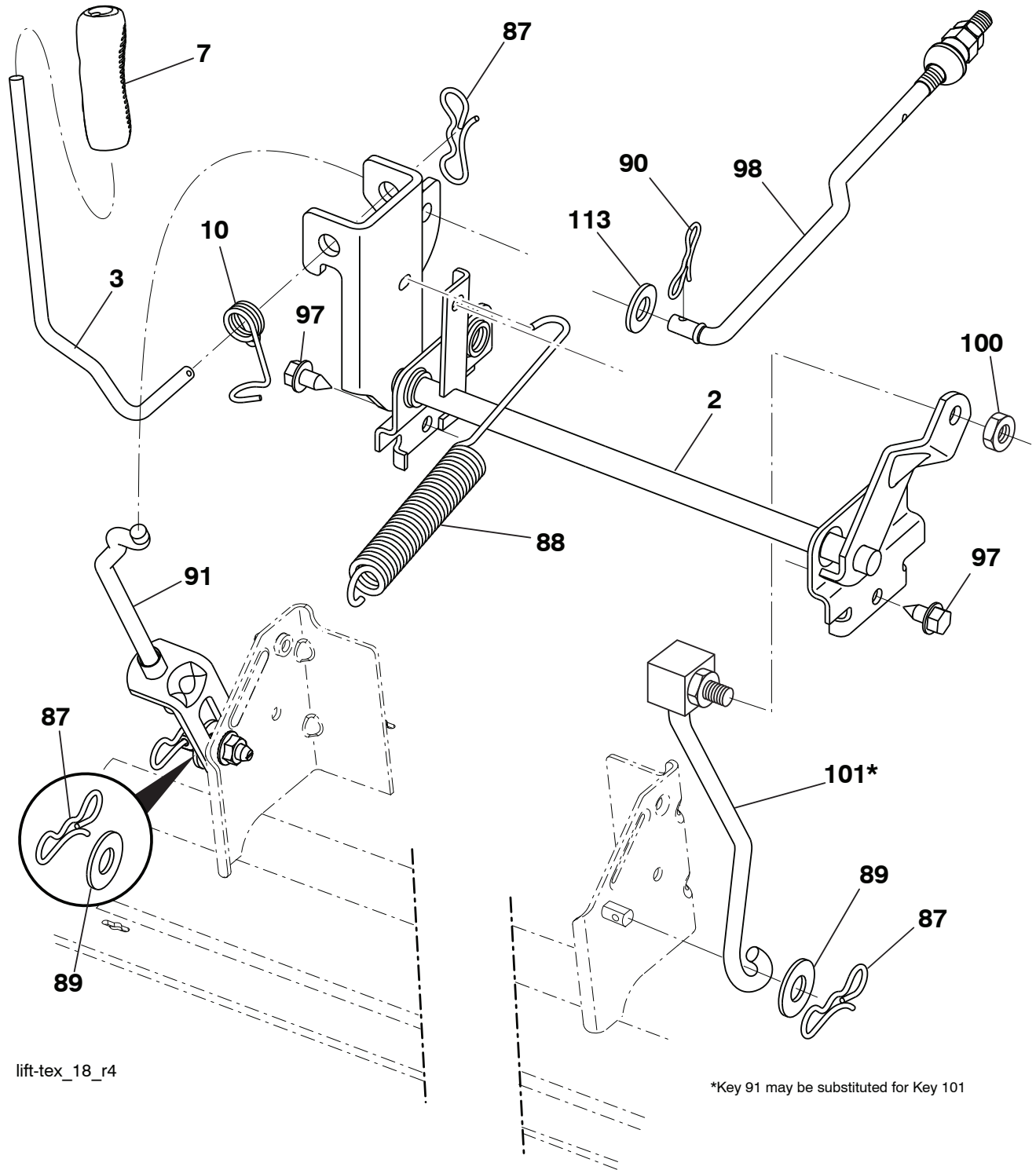
NOTE: All component dimensions given in U.S. inches
1 inch = 25.4 mm

TRACTOR - - MODEL NO. CT126 (96051000701), PRODUCT NO. 960 51 00-07
MOWER DECK 44

KEY NO.	PART NO.	DESCRIPTION	KEY NO.	PART NO.	DESCRIPTION
1	532 43 45-55	Deck Weldment 30"Srd	34	532 19 28-72	Shaft Asm Mndrl N/Greaseable38
2	532 19 51-61	Stud Fastner W/D'anti-Rotatio	35	532 41 92-74	Blade Mower Bagging Srd
3	873 90 05-00	Nut Lock Hex Flange 5/16 - 18	36	532 19 30-03	Bolt/Washer Asm 7/16 - 20 unf
4	532 41 76-45	Bracket Clutch Cable	37	819 13 13-16	Washer 13/32 x 13/16 x 16 Ga.
5	817 00 05-10	Bolt 5/16-18	38	532 19 65-39	Bolt Shoulder
6	532 41 88-63	Arm Susp Mower Rear Srd	40	532 41 92-70	Keeper Belt Engine LH
7	532 41 63-58	Screw #10 x 0.750 BOS Thread	41	532 41 92-65	Keeper Belt Engine RH
8	532 42 02-52	Arm Idler 30"Srd	42	817 00 06-12	ScrewHexwshTHDR3/8-16x3/4BL
9	532 19 90-92	Spacer Retainer	43	532 41 68-77	Pulley Mandrel 6 5 Pd 30"
10	817 00 06-16	Screw 3/8 - 16 X 1 Smgml Tap/R Blk	67	532 40 30-12	Handle clutch cable
11	532 13 77-29	Screw Thd Roll 1/4 - 20 X 5/8	70	532 40 12-46	Clutch Asm. Manual
12	532 19 94-70	Arm Brake Mower 38" RH Tex	72	532 41 72-36	Chute Upper SRD 30R
13	872 11 06-12	Bolt Carr Sh 3/8 - 16 X 1 - 1/2 Gr5	73	532 42 52-74	Chute Lower SRD 30R
14	532 15 60-85	Keeper Belt Idler	74	532 12 46-70	Retainer Spring
15	532 14 67-63	Pulley Idler V-Groove Dim 4.25	76	532 41 55-98	Washout Port
16	873 90 06-00	Nut Lock FIG 3/8 - 16 unc	152	532 43 51-11	Manual Clutch Cable
17	532 40 02-34	Nut Flange Lock Top	--	532 19 28-70	Mandrel Assembly (Includes Hous- ing, Shaft Assembly, And Bearing Only - Pulley/Nut/Washer And Blade Bolt/Washers Not Included)
18	532 18 76-90	Washer Spacer Mandrel	--	532 44 08-00	Replacement Mower Complete
19	532 11 04-85	Bearing Ball Mandrel			
20	532 17 39-84	Screw Thd Roll Dod Pt Hex			
21	532 41 69-10	Keeper Belt Mandrel 30"			
22	532 17 58-20	Pulley Idler Flat Unplated			
23	817 49 06-28	Screw Thdrol 3/8 - 16 X 1-3/4			
24	819 13 20-12	Washer 13/32 X 1 - 1/4 X 12 Ga			
25	532 42 02-53	Keeper Belt 30"Srd			
26	532 43 03-13	Cover Mandrel Mwr 30"Black			
27	532 41 92-71	V-Belt Drive			
29	532 42 08-95	Hinge Pin			
32	532 40 18-72	Spring Return Deck 38/46"			
33	532 18 72-81	Housing Mandrel 4pt Service			

NOTE: All component dimensions given in U.S. inches
1 inch = 25.4 mm

TRACTOR - - MODEL NO. CT126 (96051000701), PRODUCT NO. 960 51 00-07
MOWER LIFT 45



lift-tex_18_r4

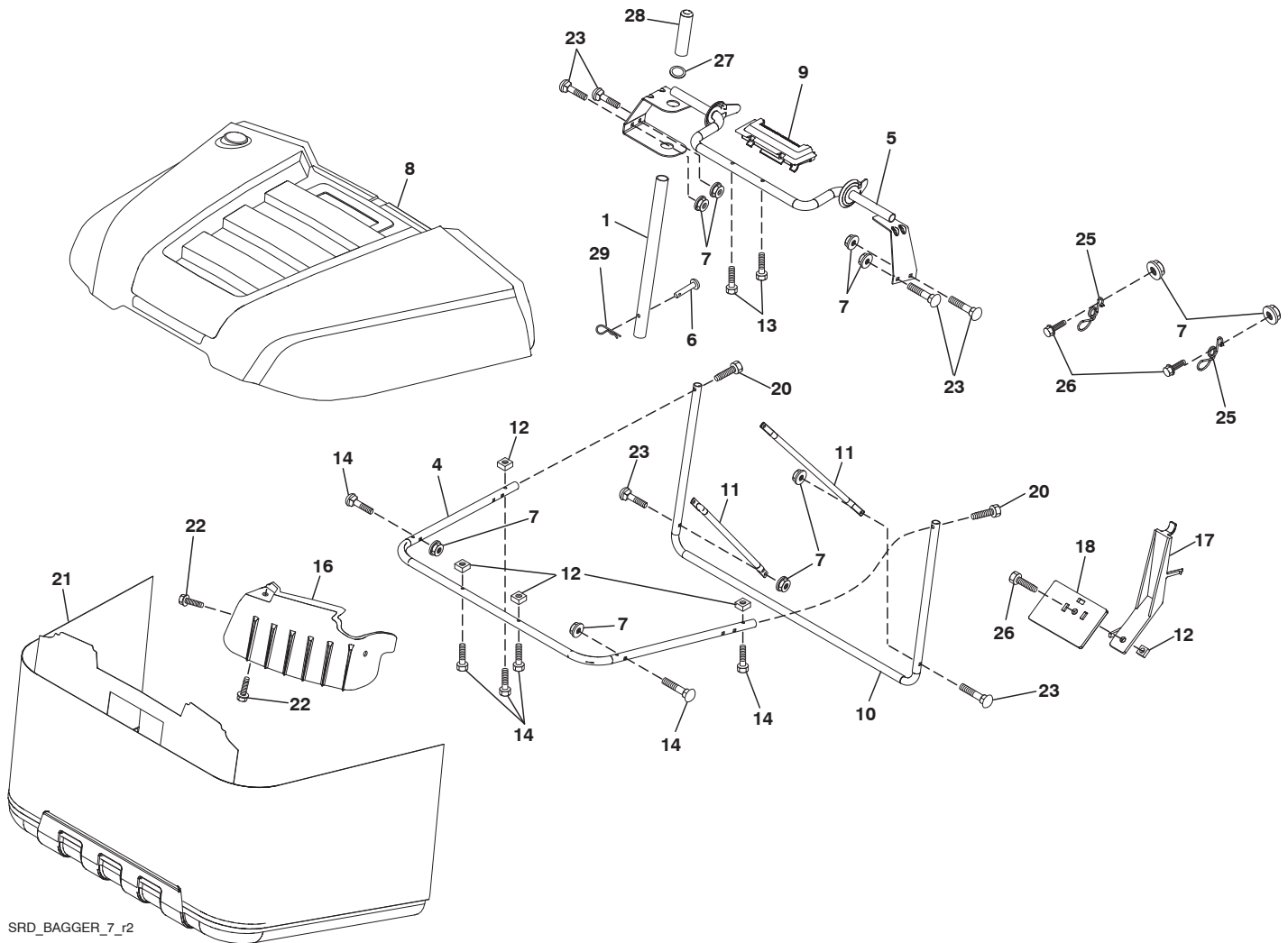
*Key 91 may be substituted for Key 101

KEY NO.	PART NO.	DESCRIPTION
2	532 42 20-27	Shaft Asm., Lift
3	532 19 52-31	Lever Asm., Lift RH
7	532 41 15-55	Grip, Lever
10	532 19 63-14	Spring Torsion
87	532 19 42-09	Pin Cotter 7/16 Bow Tie Lock
88	532 41 07-10	Spring Lift Assist
89	819 19 19-12	Washer Clear
90	532 19 42-08	Pin Cotter 5/16 Bow Tie Lock

KEY NO.	PART NO.	DESCRIPTION
91	532 19 51-81	Link Lift Susp Mower Rear
97	817 00 06-12	Screw 3/8-16 x 3/4
98	532 19 52-64	Link Lift Susp. Front Mower
100	873 93 06-00	Nut Centerlock 3/8-16
101	532 40 70-03	Link Asm. Lift FXD
113	819 17 19-12	Washer 17/32 x 1-3/16 x 12 Ga.

NOTE: All component dimensions given in U.S. inches
 1 inch = 25.4 mm

**TRACTOR - - MODEL NO. CT126 (96051000701), PRODUCT NO. 960 51 00-07
BAGGER 46**



SRD_BAGGER_7_r2

KEY NO.	PART NO.	DESCRIPTION	KEY NO.	PART NO.	DESCRIPTION
1	532 42 86-10	Tube Handle Bagger SRD	18	532 42 17-50	Paddle Bagger Full
4	532 43 96-12	Frame Asm Bagger Top	20	585 36 88-01	Screw Hex Cap 1/4-20 x 1.375
5	532 41 76-32	Frame Asm Top Bagger SRD	21	532 42 99-81	Bag Asm SRD
6	532 12 68-75	Drilled Rivit	22	532 14 24-32	Screw Hex WSH Hi-Lo 1/4 - 1/2 unc
7	873 90 04-00	Nut Hex Flange 1/4-20 unc	23	872 04 04-10	Bolt Carr 1/4-20 unc x 1-1/4
8	532 43 51-65	Bagger Top	25	532 42 16-14	Spring Latch Bagger
9	532 41 76-29	Insert Handle Bagger	26	817 49 04-12	Screw Hex Thdrol 1/4-20 x 3/4
10	532 41 71-90	Frame Front	27	532 42 12-62	Grommet, Rubber SRD
11	532 41 71-88	Tubing Brace Bagger	28	532 16 57-87	Grip Handle Black
12	532 42 17-93	Nut Square 1/4	29	532 19 42-08	Pin Cotter 5/16 Bow Tie Lock
13	532 42 17-80	Screw 1/4 x 1.150 HXWSH			
14	532 42 18-00	Bolt Shoulder HX WSH 1/4 x 1.150			
16	532 42 15-66	Deflector Bagger			
17	532 42 17-49	Lever Bagger Full			

NOTE: All component dimensions given in U.S. inches
1 inch = 25.4 mm

