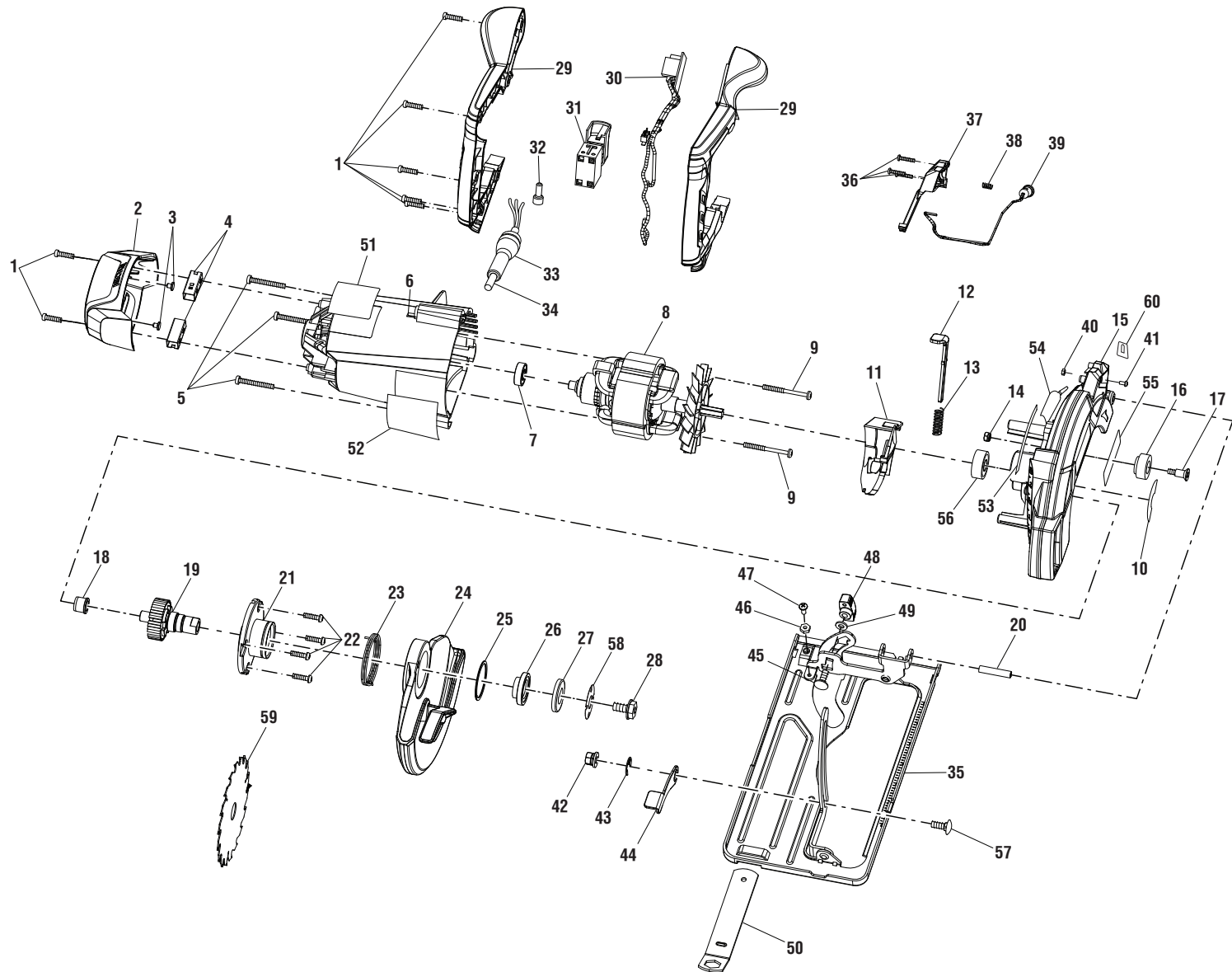


RYOBI 7-1/4 in. CIRCULAR SAW – MODEL NUMBER CSB134L



⚠ WARNING: Improper repair of a double insulated tool can result in damages to the double insulation system possibly causing electrical shock or electrocution. Any repairs requiring disassembly of your tool requires safety testing and should only be performed by a Ryobi Authorized Service Center. For the service center nearest you call 1-800-525-2579.

RYOBI 7-1/4 in. CIRCULAR SAW – MODEL NUMBER CSB134L

The model number will be found on a label attached to the motor housing. Always mention the model number in all correspondence regarding your **CIRCULAR SAW** or when ordering parts.

KEY NO.	PART NUMBER	DESCRIPTION	QTY	KEY NO.	PART NUMBER	DESCRIPTION	QTY
1	660208052	Screw (M4 x 16 mm, Pan Hd.).....	7	33	551060002	Bend Relief	1
2	524937001	End Cover	1	34	730372029	Power Cord.....	1
3	562998001	Rubber Bumper	2	35	305407001	Base Assembly (Inc. Key Nos. 45-50)	1
4	290075001	Brush Assembly.....	2	36	660206042	Screw (M3.5 x 16 mm, Pan Hd.).....	3
5	660259008	Screw (M4.5 x 35 mm).....	3	37	351101001	Laser Cover	1
6	524935001	Motor Housing	1	38	693240001	Compression Spring.....	1
7	681304001	Ball Bearing (608-2RS)	1	39	291129001	Laser Assembly	1
8	230452001	Motor Assembly (Inc. Key No. 7)	1	40	513075002	Hex Nut (M3).....	1
9	660101002	Screw (4.2 x 2.54 x 50, Type B Pan Hd.)	2	41	512963002	Nylon Screw (M3 x 6 mm, Special).....	1
10	941120012	Warning Label.....	1	42	612031001	Depth Lock Nut (1/4-20)	1
11	525084001	Volute	1	43	634295001	E-Ring	1
12	634292001	Spindle Lock.....	1	44	634293001	Depth Lock Lever	1
13	693411002	Compression Spring.....	1	45	660104010	Carriage Bolt (1/4-20 x 5/8 in.)	2
14	670974003	Lock Nut (M5)	1	46	660106007	Hex Nut (8-32).....	1
15	202001006	Upper Blade Guard Assembly (Inc. Key No. 10, 18, 53-54 and 56).....	1	47	660112006	Screw (8-32 x 11/32 in., Pan Hd.).....	1
16	561984001	Bumper	1	48	301124010	Bevel Lock Knob.....	1
17	660193005	Shoulder Screw (M5 x 20 mm)	1	49	680771002	Washer (OD5/8 x ID7/16 x 1/16t).....	1
18	680413005	Bushing.....	1	50	634389001	Blade Wrench	1
19	305403001	Output Shaft and Gear Assembly.....	1	51	941121020	Data Label.....	1
20	680980003	Roll Pin.....	1	52	941120008	Warning Label.....	1
21	305401001	Lower Blade Guard Support Assembly (Inc. Key No. 19)	1	53	941006007	Laser Label (ENG/FR)	1
22	661349001	Screw (M4 x 16 mm, Pan Hd.).....	4	54	941006008	Laser Label (SP).....	1
23	680672006	Torsion Spring.....	1	55	940304501	Logo Label.....	1
24	524934002	Lower Blade Guard.....	1	56	681717001	Ball Bearing (6000-2RS)	1
25	693438001	Retaining Ring	1	57	693616001	Carriage Bolt (1/4-20 x 5/8 in., Special).....	1
26	611791001	Inner Flange Bushing.....	1	58	680776001	Spring Washer	1
27	680775001	Outer Blade Washer.....	1	59	681323001	Blade (7-1/4 in.)	1
28	660988001	Blade Screw (5/16-18 x 9/16 in.)	1	60	941001058	Laser Label	1
29	202144001	Handle Assembly.....	1		Not Shown:		
30	280226001	Circuit Board w/Micro Switch Assembly	1		202218001	Edge Guide Kit (Optional)	1
31	760476003	Switch.....	1		200673002	Dust Nozzle Kit (Optional).....	1
32	790021001	Closed End Wire Connector	1		988000819	Operator's Manual	
					1-29-13		
					(Rev:03)		