

RYOBI 7-1/4 in. LASER CIRCULAR SAW – MODEL NO. CSB133L

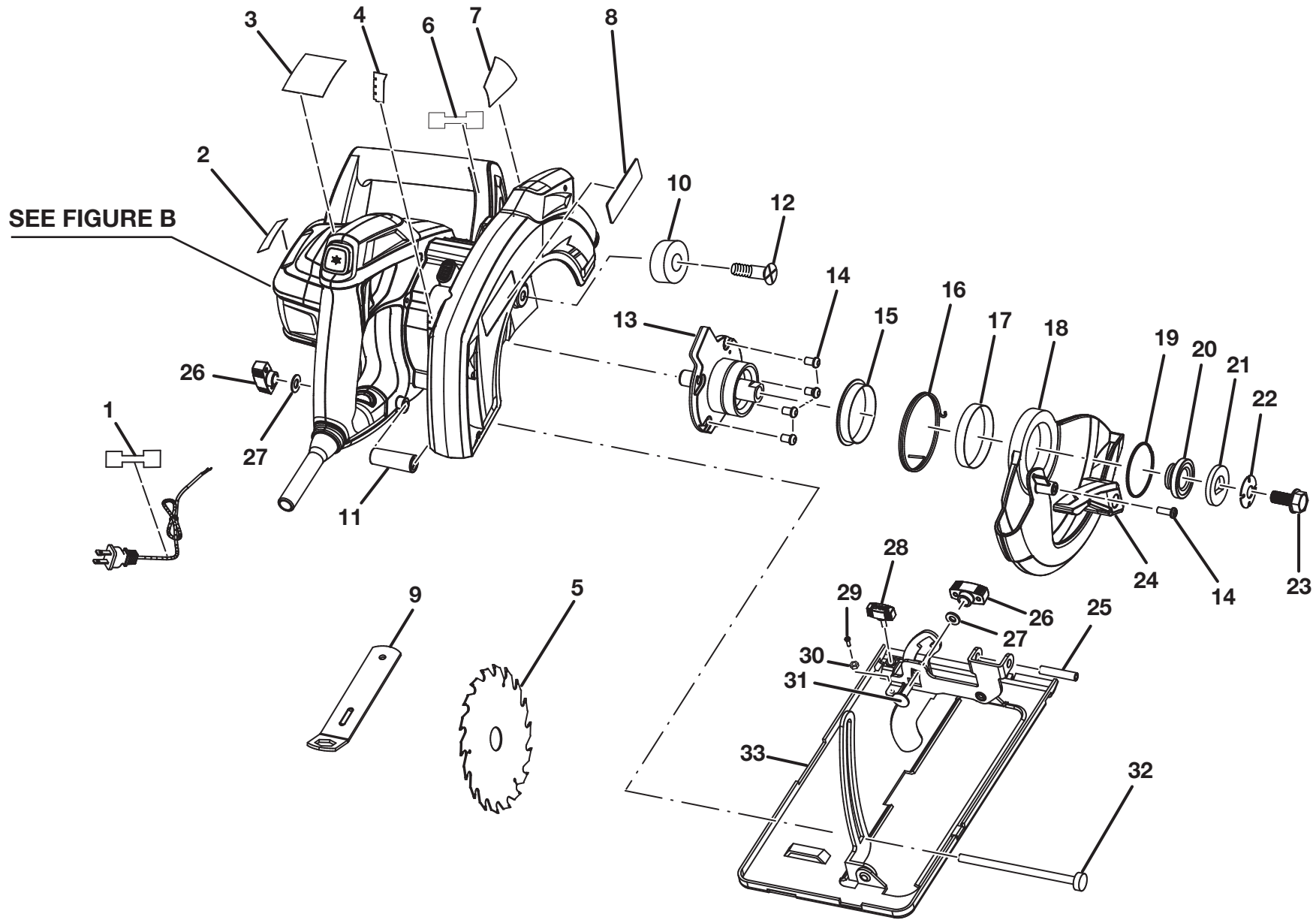


FIGURE A

**RYOBI 7-1/4 in. LASER CIRCULAR SAW – MODEL NO. CSB133L**

The model number will be found on a label attached to the motor housing. Always mention the model number in all correspondence regarding your **CIRCULAR SAW** or when ordering repair parts.

**PARTS LIST (FIGURE A)**

KEY NO.	PART NUMBER	DESCRIPTION	QTY	KEY NO.	PART NUMBER	DESCRIPTION	QTY
1	940221050	CORD TAG LABEL FOR CIRCULAR SAW..	1	19	680778002	RETAINING RING.....	1
2	940304502	LOGO LABEL (REAR) .....	1	20	680774010	INNER FLANGE BUSHING .....	1
3	940976262	DATA LABEL .....	1	21	680775001	OUTER BLADE WASHER .....	1
4	940266016	CUTTING DEPTH LABEL.....	1	22	680776001	BLADE WASHER .....	1
5	681323001	BLADE (20T) .....	1	23	660124001	BLADE BOLT .....	1
6	941361002	CORD TAG LABEL FOR LASER .....	1	24	516871003	LOWER BLADE GUARD HANDLE.....	1
7	940976269	LASER LABEL .....	1	25	680980003	ROLL PIN.....	1
8	940304501	LOGO LABEL (FRONT).....	1	26	301124006	DEPTH ADJUSTMENT KNOB .....	2
9	630805010	WRENCH (14 mm).....	1	27	680771002	WASHER.....	2
10	562802001	BUMPER.....	1	28	301124007	EDGE GUIDE KNOB .....	1
11	550423004	SPACER.....	1	29	660112006	SCREW (8-32 x 9 mm).....	1
12	661548001	SCREW (M6 x 1 mm).....	1	30	660106007	HEX NUT (8-32) .....	1
13	200677001	LOWER BLADE GUARD SUPPORT w/OUTPUT SHAFT AND BEARING ASSEMBLY .....	1	31	660104010	CARRIAGE BOLT (1/4-20 x 5/8 in.).....	1
14	660311006	SCREW (10-24 x 1/2 in.).....	5	32	660104002	CARRIAGE BOLT (1/4-20 x 3-3/4 in.) .....	1
15	514310001	SLEEVE.....	1	33	300530028	BASE ASSEMBLY.....	1
16	692039001	TORSION SPRING.....	1	<b>NOT SHOWN</b>			
17	632417001	SLEEVE FOR LOWER GUARD .....	1	200673001	OPTIONAL VACUUM ADAPTERS w/SCREWS.....		1
18	641515001	LOWER GUARD.....	1	987000327	OPERATOR'S MANUAL (961022008)		
				2-16-12			
				(REV:10)			

**⚠ WARNING:** Improper repair of a double insulated tool can result in damages to the double insulation system possibly causing electrical shock or electrocution. Any repairs requiring disassembly of your tool requires safety testing and should only be performed by a Ryobi Authorized Service Center. For the service center nearest you call 1-800-525-2579.

RYOBI 7-1/4 in. LASER CIRCULAR SAW – MODEL NO. CSB133L

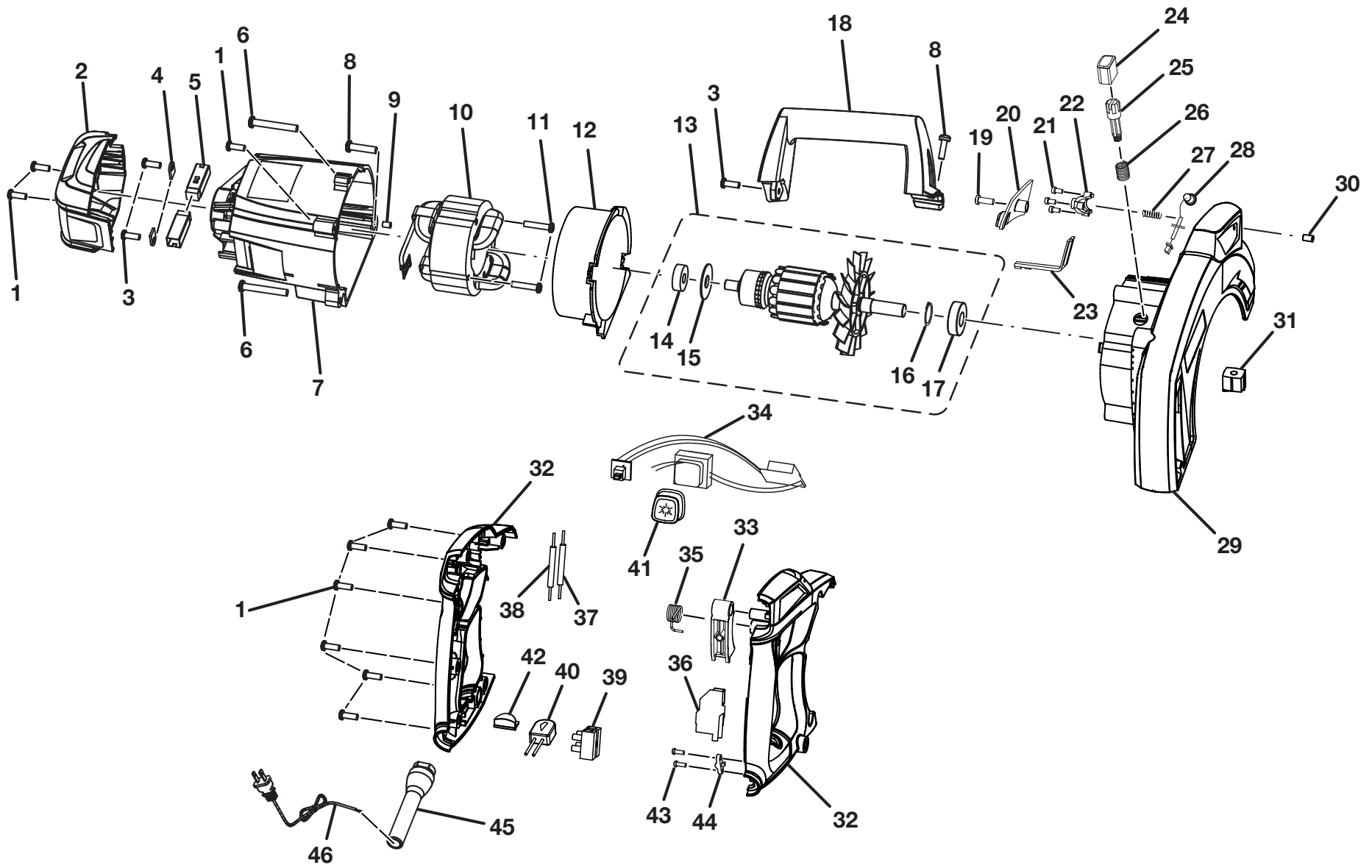


FIGURE B

**RYOBI 7-1/4 in. LASER CIRCULAR SAW – MODEL NO. CSB133L**

The model number will be found on a label attached to the motor housing. Always mention the model number in all correspondence regarding your **CIRCULAR SAW** or when ordering repair parts.

**PARTS LIST (FIGURE B)**

KEY NO.	PART NUMBER	DESCRIPTION	QTY	KEY NO.	PART NUMBER	DESCRIPTION	QTY
1	660208052	SCREW (M4 x 16 mm).....	9	24	516870001	SPINDLE LOCK BUTTON.....	1
2	516878001	END COVER.....	1	25	550421007	SPINDLE LOCK SHAFT.....	1
3	660140002	SCREW (8-16 x 12.7 mm).....	3	26	680773001	SPRING.....	1
4	630801001	CLAMP.....	2	27	672017001	SPRING.....	1
5	290075001	BRUSH TUBE ASSEMBLY.....	2	28	302836001	LASER ASSEMBLY.....	1
6	660311005	SCREW (10-24 x 1-1/8 in.).....	2	29	200678001	UPPER BLADE GUARD.....	1
7	516877004	MOTOR HOUSING.....	1	30	660859002	SCREW (M4 x 8 mm).....	1
8	660311004	SCREW (10-24 x 3/4 in.).....	2	31	690427002	RACK SHAFT LOCK.....	1
9	550339001	RUBBER PLUG.....	1	32	200679001	HANDLE ASSEMBLY.....	1
10	741702001	FIELD ASSEMBLY.....	1	33	5532203	TRIGGER.....	1
11	660101002	SCREW (M0.170 x 1.875 in.).....	2	34	280095004	CIRCUIT BOARD ASSEMBLY.....	1
12	551054001	BAFFLE.....	1	35	680800003	SPRING.....	1
13	202001001	ARMATURE ASSEMBLY (INC. KEY NOS. 14-17)..	1	36	7621301	SWITCH.....	1
14	680966004	BALL BEARING (608ZZ).....	1	37	770407051	LEAD (BLACK).....	1
15	681037001	CUPPED WASHER.....	1	38	770408020	LEAD (WHITE).....	1
16	680336001	RETAINING RING.....	1	39	690331002	TERMINAL BLOCK.....	1
17	681053001	BALL BEARING (CW6001).....	1	40	290251012	LIVE INDICATOR.....	1
18	516879001	FRONT HANDLE.....	1	41	516872001	LASER SWITCH.....	1
19	660312001	SCREW (8-32 x 3/8 in.).....	1	42	516915001	INDICATOR COVER.....	1
20	340875001	LASER HOUSING COVER.....	1	43	6620613	SCREW (M3.5 x 10 mm).....	2
21	660559001	SCREW (M3.5 x 10 mm).....	3	44	6933702	CORD CLAMP.....	1
22	517010001	LASER HOLDER.....	1	45	5927401	BEND RELIEF.....	1
23	340876001	LASER WIRE COVER.....	1	46	730372011	POWER CORD.....	1

**⚠ WARNING:** Improper repair of a double insulated tool can result in damages to the double insulation system possibly causing electrical shock or electrocution. Any repairs requiring disassembly of your tool requires safety testing and should only be performed by a Ryobi Authorized Service Center. For the service center nearest you call 1-800-525-2579.