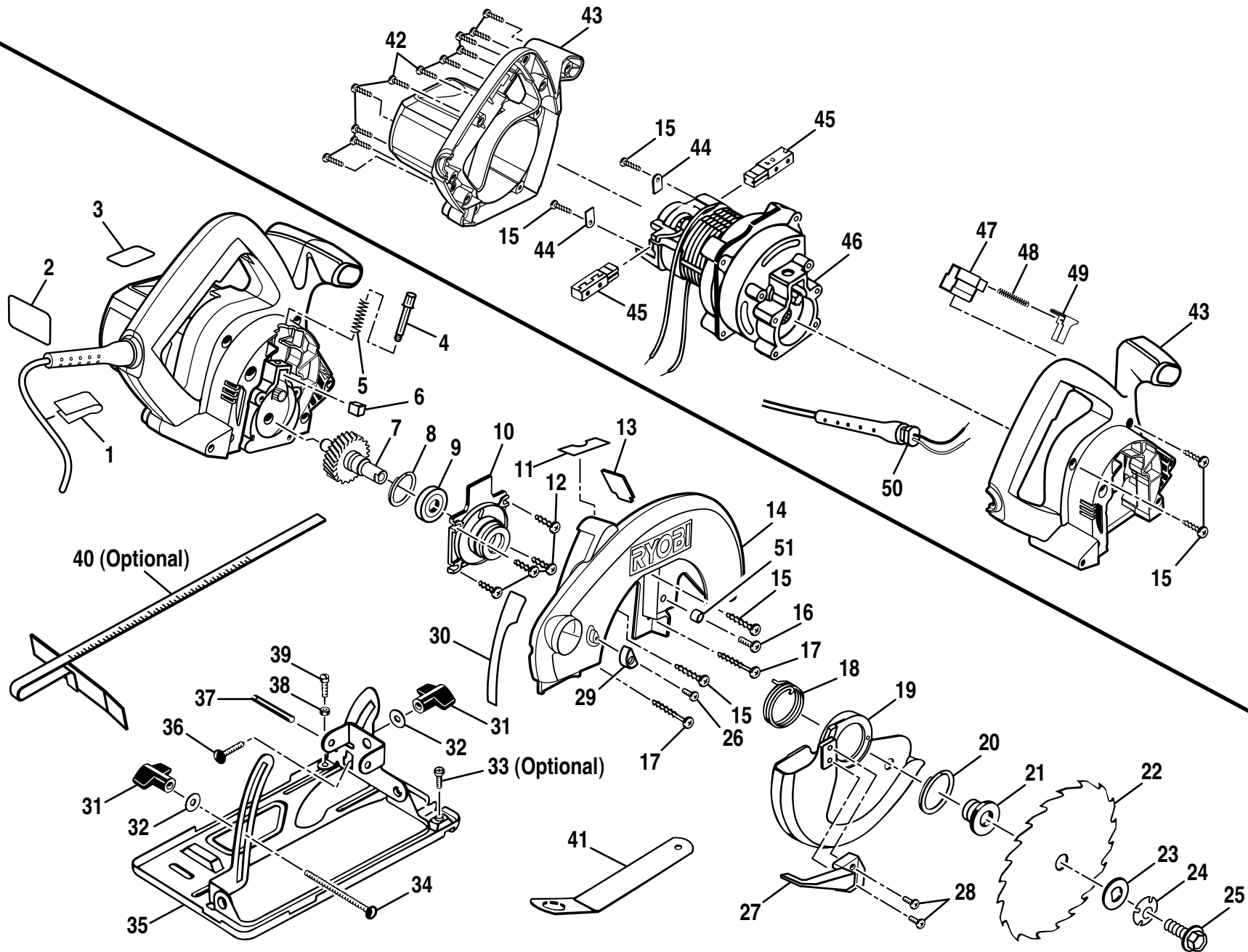


RYOBI CIRCULAR SAW – MODEL NUMBER CSB1308



WARNING: Improper repair of a double insulated tool can result in damages to the double insulation system possibly causing electrical shock or electrocution. Any repairs requiring disassembly of your tool requires safety testing and should only be performed by an Authorized Service Center.

RYOBI CIRCULAR SAW – MODEL NUMBER CSB1308

The model number will be found on a plate attached to the motor housing. Always mention the model number in all correspondence regarding your **CIRCULAR SAW** or when ordering repair parts.

PARTS LIST

| Key No. | Part Number | Description | Quan. | Key No. | Part Number | Description | Quan. |
|---------|-------------|--|-------|---------|---------------------|--|-------|
| 1 | 982424-001 | CORD TAG | 1 | 29 | 976907-001 | BUMPER | 1 |
| 2 | 982383-001 | DATA PLATE | 1 | 30 | 976989-001 | SCALE DECAL | 1 |
| 3 | 980476-001 | LOGO PLATE | 1 | 31 | 979848-001 | ADJUSTMENT KNOB | 2 |
| 4 | 976987-001 | GEAR RACK SHAFT | 1 | 32 | 931744-059 | WASHER | 2 |
| 5 | 621342-000 | SPRING | 1 | 33 | 969778-001 | SCREW OPTIONAL (USED WITH KEY NO. 40) (#10-32 X 3/8 in. PAN HD. COMB.) | 1 |
| 6 | 968906-001 | GEAR RACK | 1 | 34 | 621433-018 | CARRIAGE BOLT (1/4-20 X 3-3/4 in.) | 1 |
| 7 | 968308-010 | GEAR AND SPINDLE | 1 | 35 | 974802-002 | BASE ASSEMBLY | 1 |
| 8 | 617096-002 | RETAINING RING | 1 | 36 | 621433-001 | CARRIAGE BOLT (1/4-20 X 5/8 in.) | 1 |
| 9 | 968305-007 | BALL BEARING (NTN#6003LLBC3/1E) | 1 | 37 | 941401-004 | ROLL PIN | 1 |
| 10 | 968091-002 | LOWER BLADE GUARD SUPPORT | 1 | 38 | 706404-007 | HEX NUT (#8-32) | 1 |
| 11 | 976986-001 | SPINDLE LOCK DECAL | 1 | 39 | 614658-010 | SCREW (#8-32 X 3/8 in. PAN HD.) | 1 |
| 12 | 974999-001 | SCREW (#10-16 X 3/4 in. PAN HD.) | 4 | 40 | 969862-009 | EDGE GUIDE OPTIONAL (USE WITH KEY NO. 33) | 1 |
| 13 | 976988-001 | SHIELD | 1 | 41 | 974716-001 | WRENCH (9/16 in.) | 1 |
| 14 | 982333-001 | UPPER BLADE GUARD ASSEMBLY | 1 | 42 | 617966-031 | SCREW (#8-10 X 3/4 in.) | 11 |
| 15 | 968702-011 | SCREW (#8-16 X 3/4 in. PAN HD.) | 6 | 43 | 974547-002 | HOUSING ASSEMBLY | 1 |
| 16 | 968705-009 | SCREW (#10-24 X 5/8 in. PAN HD.) | 1 | 44 | 617800-002 | BRUSH TUBE CLAMP | 2 |
| 17 | 617966-023 | SCREW (#8-10 X 2-5/8 in. PAN HD.) | 3 | 45 | 968304-009 | BRUSH TUBE ASSEMBLY | 2 |
| 18 | 967952-001 | TORSION SPRING | 1 | 46 | 969807-004 | MOTOR MODULE ASSEMBLY (INCLUDES ONE OF KEY NO. 42) | 1 |
| 19 | 974771-002 | LOWER BLADE GUARD | 1 | 47 | 968303-103 | SWITCH | 1 |
| 20 | 718602-804 | RETAINING RING | 1 | 48 | 974565-001 | COMPRESSION SPRING | 1 |
| 21 | 967887-003 | INNER FLANGE BUSHING | 1 | 49 | 974545-002 | SWITCH TRIGGER | 1 |
| 22 | 972443-002 | BLADE | 1 | 50 | 999506-008 | CORD | 1 |
| 23 | 998463-001 | OUTER BLADE WASHER | 1 | 51 | 703429-870 | NYLON WASHER | 1 |
| 24 | 623547-002 | SPRING WASHER | 1 | 52 | 980372-001 | CARRYING CASE – NOT SHOWN | 1 |
| 25 | 612999-001 | BLADE SCREW (3/8-16 X 3/4 in. WASHER HD.) | 1 | | 972000-831R 8-01 | OWNER'S MANUAL | |
| 26 | 090404-080 | SCREW (M4 X 8 PAN HD.) | 1 | | | | |
| 27 | 976906-002 | BLADE GUARD HANDLE | 1 | | | | |
| 28 | 615954-003 | SCREW (#8-18 X 3/8 in. PAN HD. T. F.) ... | 2 | | | | |