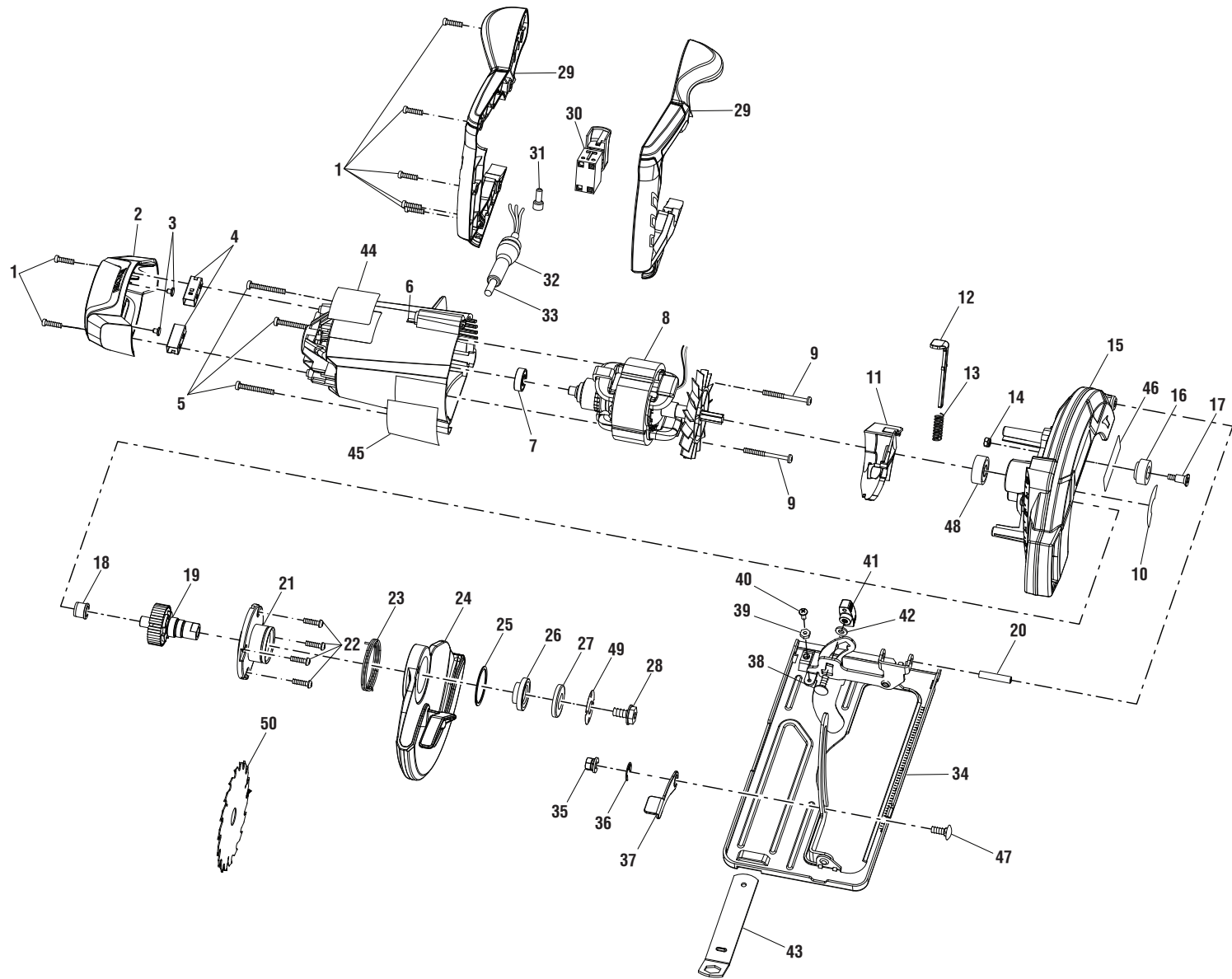


RYOBI 7-1/4 in. CIRCULAR SAW – MODEL NUMBER CSB124



⚠ WARNING: Improper repair of a double insulated tool can result in damages to the double insulation system possibly causing electrical shock or electrocution. Any repairs requiring disassembly of your tool requires safety testing and should only be performed by a Ryobi Authorized Service Center. For the service center nearest you call 1-800-525-2579.

RYOBI 7-1/4 in. CIRCULAR SAW – MODEL NUMBER CSB124

The model number will be found on a label attached to the motor housing. Always mention the model number in all correspondence regarding your **CIRCULAR SAW** or when ordering parts.

KEY NO.	PART NUMBER	DESCRIPTION	QTY	KEY NO.	PART NUMBER	DESCRIPTION	QTY
1	660208052	Screw (M4 x 16 mm, Pan Hd.).....	7	28	660988001	Blade Screw (5/16-18 x 9/16 in.)	1
2	524937001	End Cover	1	29	202143001	Handle Assembly	1
3	562998001	Rubber Bumper	2	30	760476003	Switch	1
4	290075001	Brush Assembly.....	2	31	790009001	Closed End Wire Connector	1
5	660259008	Screw (M4.5 x 35 mm).....	3	32	551060002	Bend Relief	1
6	524935001	Motor Housing	1	33	730372029	Power Cord.....	1
7	681304001	Ball Bearing (608-2RS)	1	34	305407001	Base Assembly (Inc. Key Nos. 38-43)	1
8	230451001	Motor Assembly (Inc. Key No. 7)	1	35	612031001	Depth Lock Nut (1/4-20)	1
9	661748001	Screw (4.2 x 1.4 x 44, Type B Pan Hd.)	2	36	634295001	E-Ring	1
10	941120012	Warning Label	1	37	634293001	Depth Lock Lever	1
11	525084001	Volute	1	38	660104010	Carriage Bolt (1/4-20 x 5/8 in.)	1
12	634292001	Spindle Lock.....	1	39	660106007	Hex Nut (8-32).....	1
13	693411002	Compression Spring	1	40	660112006	Screw (8-32 x 11/32 in., Pan Hd.).....	1
14	670974003	Lock Nut (M5)	1	41	301124010	Bevel Lock Knob.....	1
15	202001005	Upper Blade Guard Assembly (Inc. Key No. 10, 18, and 48)	1	42	680771002	Washer (OD5/8 x ID7/16 x 1/16t).....	1
16	561984001	Bumper	1	43	634389001	Blade Wrench	1
17	660193005	Shoulder Screw (M5 x 20 mm)	1	44	941121019	Data Label.....	1
18	680413005	Bushing.....	1	45	941120008	Warning Label.....	1
19	305403001	Output Shaft and Gear Assembly.....	1	46	940304501	Logo Label	1
20	680980003	Roll Pin.....	1	47	693616001	Carriage Bolt (1/4-20 x 5/8 in., Special).....	1
21	305401001	Lower Blade Guard Support Assembly (Inc. Key No. 19)	1	48	681717001	Ball Bearing (6000-2RS)	1
22	661349001	Screw (M4 x 16 mm, Pan Hd.).....	4	49	680776001	Spring Washer	1
23	680672006	Torsion Spring.....	1	50	680856014	Blade (7-1/4 in.)	1
24	524934001	Lower Blade Guard.....	1	Not Shown:			
25	693438001	Retaining Ring	1	202218001	Edge Guide Kit (Optional)	1	
26	611791001	Inner Blade Washer.....	1	200673002	Dust Nozzle Kit (Optional).....	1	
27	680775001	Outer Blade Washer.....	1	990000075	Operator's Manual		
				1-29-13			
				(Rev:03)			