

RYOBI 7-1/4 in. CIRCULAR SAW – MODEL NUMBER CSB123

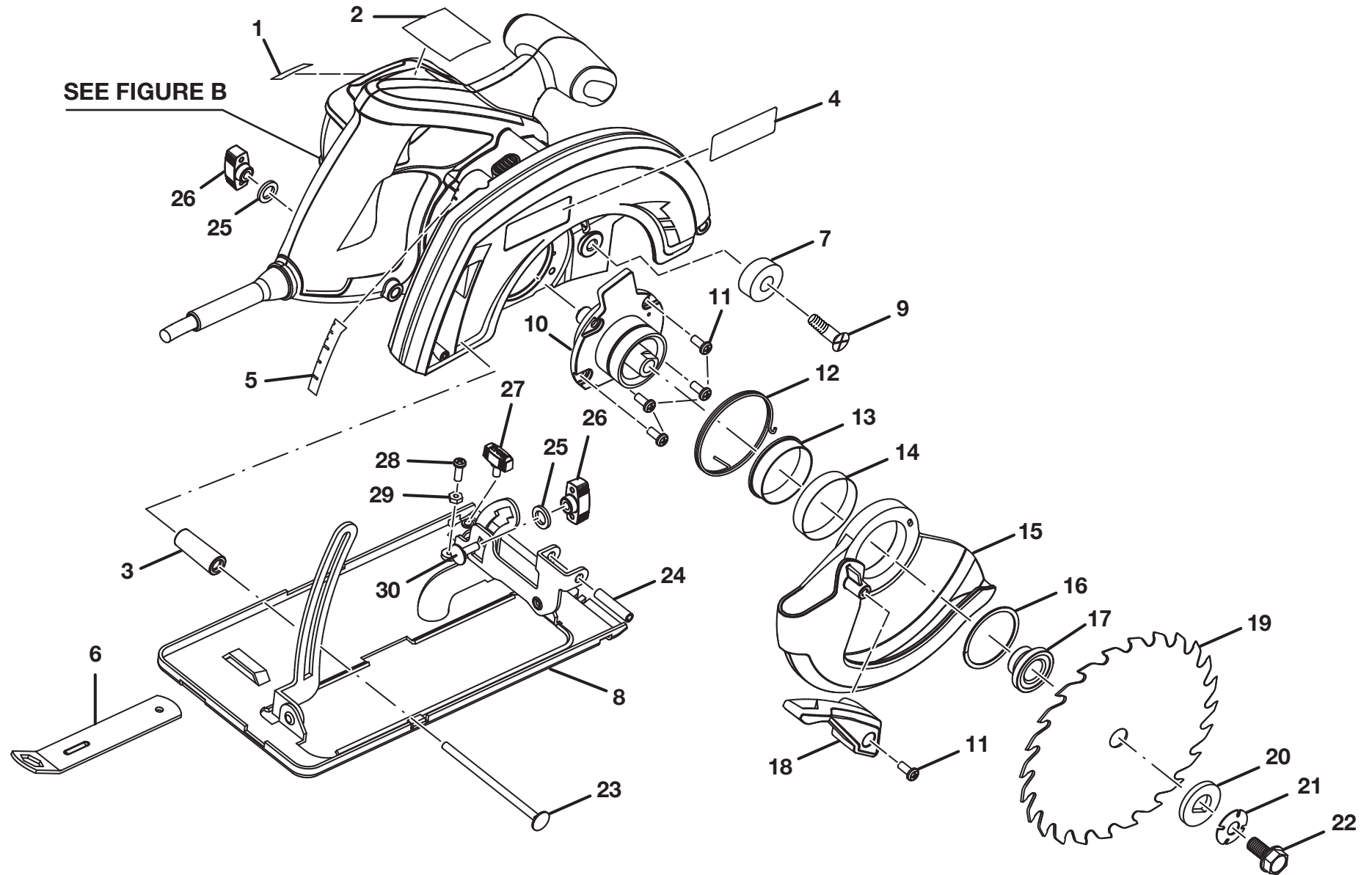


FIGURE A

RYOBI 7-1/4 in. CIRCULAR SAW – MODEL NUMBER CSB123

The model number will be found on a label attached to the motor housing. Always mention the model number in all correspondence regarding your **CIRCULAR SAW** or when ordering parts.

PARTS LIST (Figure A)

KEY NO.	PART NUMBER	DESCRIPTION	QTY	KEY NO.	PART NUMBER	DESCRIPTION	QTY
1	940304502	LOGO LABEL (REAR)	1	18	516871003	LOWER BLADE GUARD HANDLE.....	1
2	940976260	DATA LABEL	1	19	680856014	BLADE (20t)	1
3	550423004	SPACER.....	1	20	680775001	OUTER BLADE WASHER	1
4	940304501	LOGO LABEL (FRONT).....	1	21	680776001	SPRING WASHER	1
5	940266016	CUTTING DEPTH LABEL.....	1	22	660124001	BLADE BOLT	1
6	630805001	WRENCH (14 mm)	1	23	660104002	CARRIAGE BOLT (1/4-20 x 3-3/4 in.)	1
7	562802001	BUMPER.....	1	24	680980003	ROLL PIN	1
8	300530038	BASE ASSEMBLY.....	1	25	680771002	WASHER.....	2
9	661548001	SCREW (M6 x 1 mm).....	1	26	301124006	DEPTH ADJUSTMENT KNOB	2
10	200677001	LOWER BLADE GUARD SUPPORT w/OUTPUT SHAFT AND BEARING ASSEMBLY	1	27	301124007	EDGE GUIDE KNOB	1
11	660311006	SCREW (10-24 x 1/2 in.).....	5	28	660112006	SCREW (8-32 x 9 mm).....	1
12	692039001	TORSION SPRING.....	1	29	660106007	HEX NUT (8-32)	1
13	514310001	SLEEVE.....	1	30	660104010	CARRIAGE BOLT (1/4-20 x 5/8 in.).....	1
14	632417001	SLEEVE FOR LOWER GUARD	1		987000326	OPERATOR'S MANUAL (961022007)	
15	641515001	LOWER GUARD.....	1		11-15-11		
16	680778002	RETAINING RING.....	1		(REV:06)		
17	680774010	INNER FLANGE BUSHING.....	1				

RYOBI 7-1/4 in. CIRCULAR SAW – MODEL NUMBER CSB123

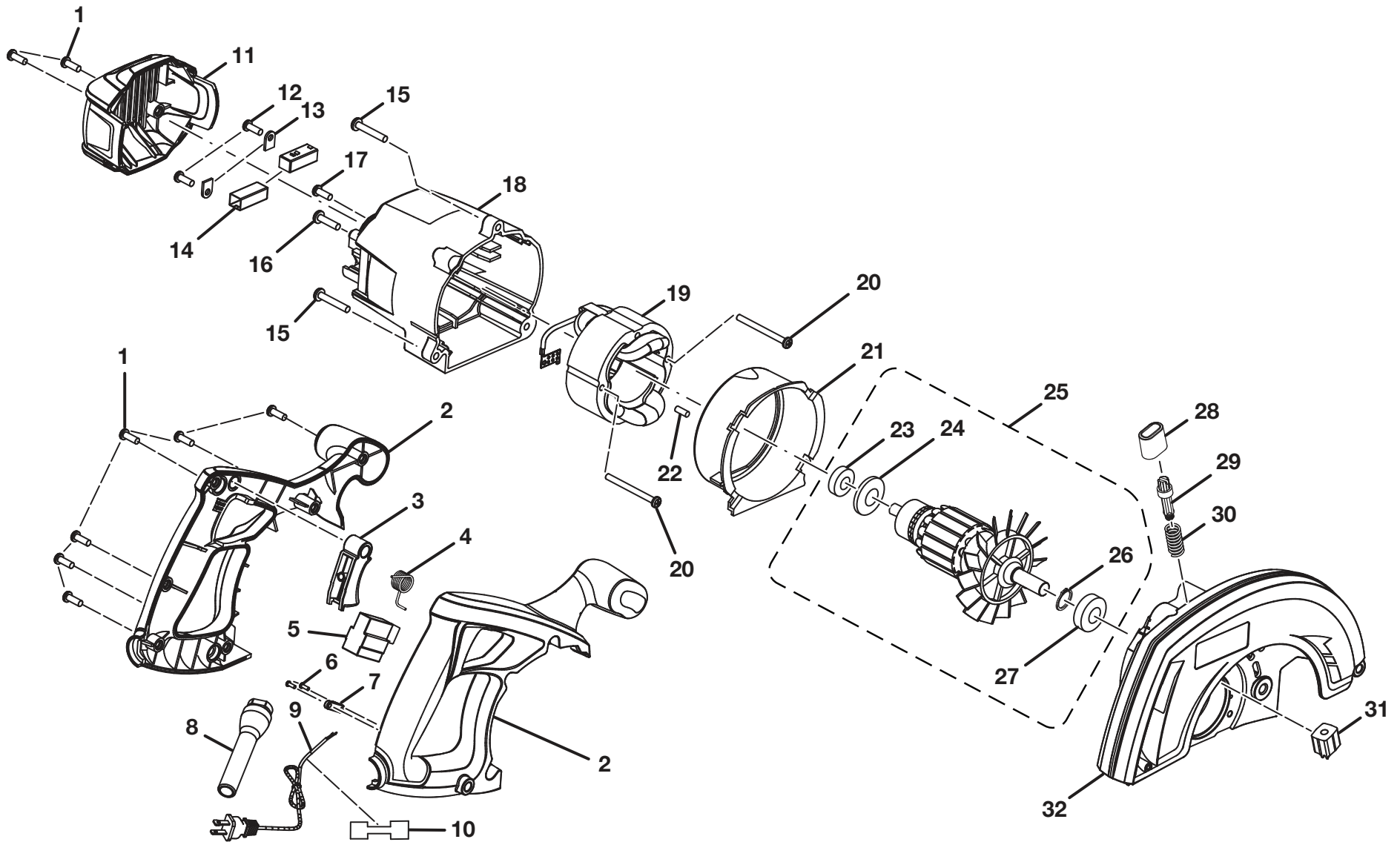


FIGURE B

⚠ WARNING: Improper repair of a double insulated tool can result in damages to the double insulation system possibly causing electrical shock or electrocution. Any repairs requiring disassembly of your tool requires safety testing and should only be performed by a Ryobi Authorized Service Center. For the service center nearest you call 1-800-525-2579.

RYOBI 7-1/4 in. CIRCULAR SAW – MODEL NUMBER CSB123

The model number will be found on a label attached to the motor housing. Always mention the model number in all correspondence regarding your **CIRCULAR SAW** or when ordering parts.

PARTS LIST (Figure B)

KEY NO.	PART NUMBER	DESCRIPTION	QTY	KEY NO.	PART NUMBER	DESCRIPTION	QTY
1	660208052	SCREW (M4 x 16 mm)	8	18	551050005	MOTOR HOUSING	1
2	200694001	HANDLE ASSEMBLY	1	19	741702001	FIELD	1
3	5532203	SWITCH TRIGGER	1	20	660101002	SCREW (M0.170 x 1.875 in.).....	2
4	680800002	TORSION SPRING	1	21	551054001	BAFFLE.....	1
5	7621301	SWITCH	1	22	550339001	RUBBER PLUG.....	1
6	6620613	SCREW (M3.5 x 10 mm)	1	23	680966004	BALL BEARING (608ZZ)	1
7	6933702	CORD CLAMP	1	24	681037001	CUPPED WASHER	1
8	5927401	BEND RELIEF	1	25	202001001	ARMATURE ASSEMBLY (INC. KEY NOS. 23-24 AND 26-27)	1
9	730372017	POWER CORD.....	1	26	680336001	RETAINING RING.....	1
10	940221050	CORD TAG LABEL.....	1	27	681053001	BALL BEARING (CW6001).....	1
11	551051001	END COVER	1	28	516870001	SPINDLE LOCK BUTTON.....	1
12	660118001	SCREW (8-18 x 3/8 in.).....	2	29	550421007	SPINDLE LOCK SHAFT	1
13	630801001	BRUSH TUBE CLAMP	2	30	680773001	SPRING.....	1
14	290075001	BRUSH TUBE ASSEMBLY	2	31	690427002	RACK SHAFT LOCK.....	1
15	660311005	SCREW (10-24 x 1-1/8 in.)	2	32	200693001	UPPER BLADE GUARD ASSEMBLY	1
16	660311004	SCREW (10-24 x 3/4 in.).....	1				
17	660140002	SCREW (8-16 x 1/2 in.).....	1				