

RYOBI CIRCULAR SAW – MODEL NUMBER CSB122

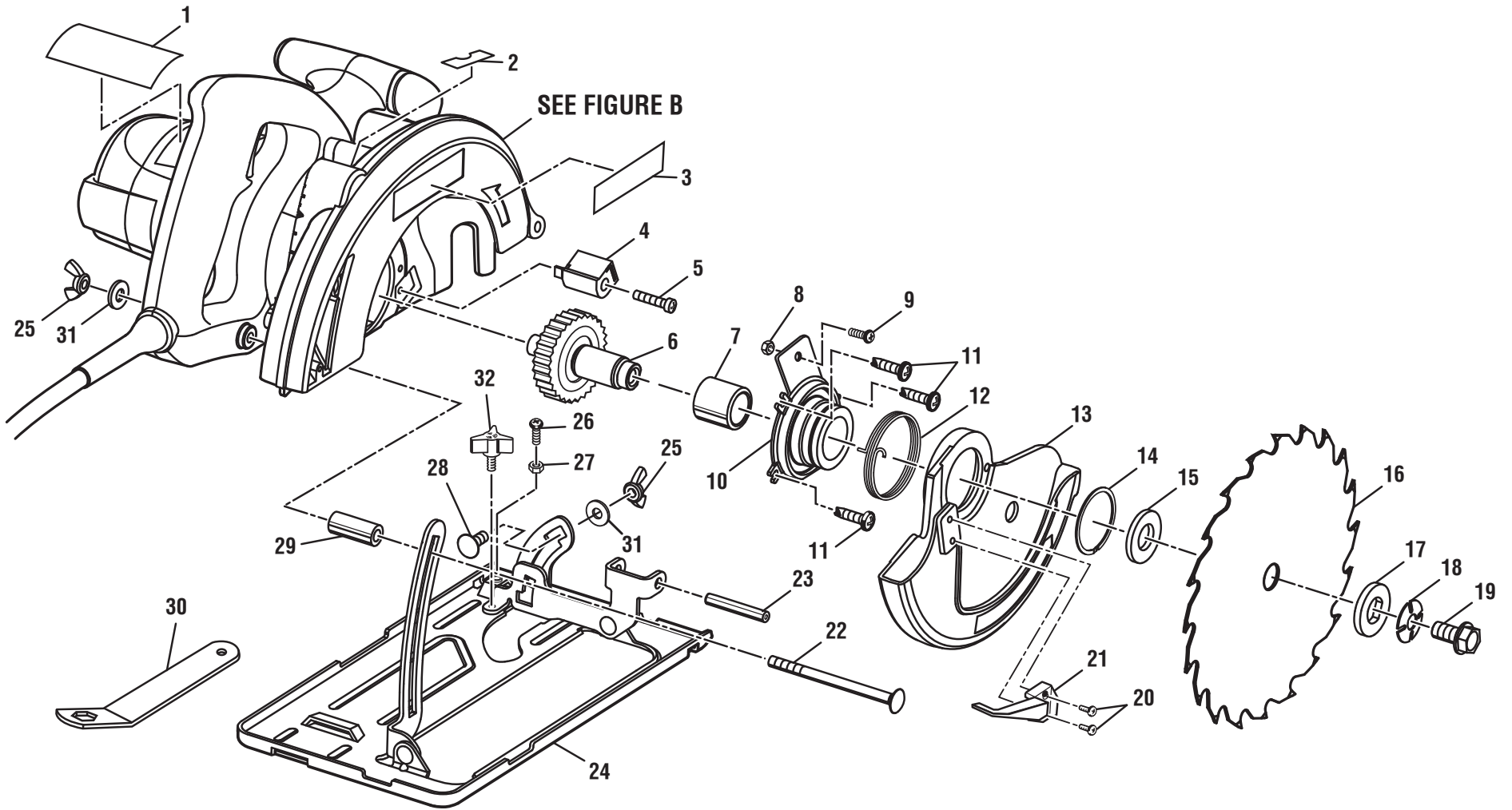


FIGURE A

RYOBI CIRCULAR SAW – MODEL NUMBER CSB122

The model number will be found on a label attached to the motor housing. Always mention the model number in all correspondence regarding your **CIRCULAR SAW** or when ordering parts.

PARTS LIST (Figure A)

KEY NO.	PART NUMBER	DESCRIPTION	QTY	KEY NO.	PART NUMBER	DESCRIPTION	QTY
1	940045164	Data Label.....	1	18	680776001	Spring Washer	1
2	9427576	Spindle Lock Decal.....	1	19	660124001	Blade Screw.....	1
3	940304082	Logo Label.....	1	20	660118001	Screw (8-18 x 3/8 in., Pan Hd.).....	2
4	560648001	Bumper	1	21	5918001	Handle Lever.....	1
5	660310001	Screw (8-32 x 3/4 in., Fil. Hd.)	1	22	660104002	Carriage Bolt (1/4-20 x 3-3/4 in.)	1
6	300003041	Gear And Spindle Assembly	1	23	680980003	Roll Pin.....	1
7	6880601	Sleeve Bearing.....	1	24	300530024	Base Assembly	1
8	680022003	Hex Nut (M4 x 3.2 mm).....	1	25	680913001	Wing Nut	2
9	6621205	Screw (M4 x 8 mm).....	1	26	660112001	Screw (8-32 x 5/8 in., Pan Hd.).....	1
10	6454601	Lower Blade Guard Support.....	1	27	660106001	Hex Nut (8-32).....	1
11	660312001	Screw (8-32 x 3/8 in., Pan Hd.).....	3	28	660104001	Carriage Bolt (1/4-20 x 5/8 in.)	1
12	680772001	Torsion Spring.....	1	29	5542301	Spacer	1
13	6447602	Lower Blade Guard.....	1	30	630805001	Wrench.....	1
14	680778001	Retaining Ring	1	31	680771001	Flat Washer.....	2
15	680779001	Inner Blade Washer.....	1	32	550828004	Knob Bolt.....	1
16	680856014	Saw Blade (20T).....	1	Not Shown:			
	680856015	Saw Blade (16T).....	1		941361001	Cord Tag Label.....	1
	680856016	Saw Blade (40T).....	1		987000153	Operator's Manual (960931203)	
	680783014	Saw Blade (24T).....	3		2-13-12		
17	680775001	Outer Blade Washer.....	1		(Rev:05)		

RYOBI CIRCULAR SAW – MODEL NUMBER CSB122

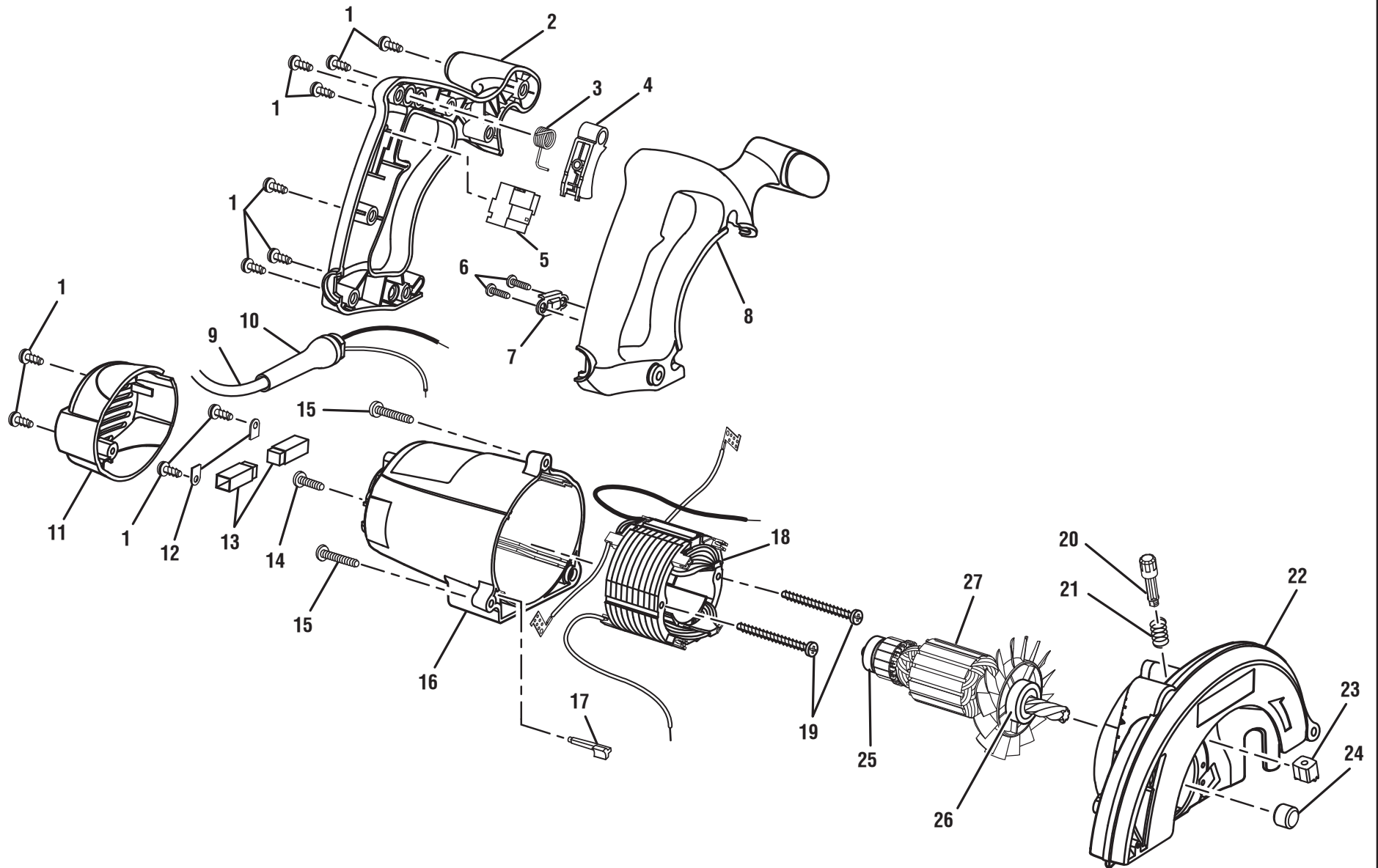


FIGURE B

⚠ WARNING: Improper repair of a double insulated tool can result in damages to the double insulation system possibly causing electrical shock or electrocution. Any repairs requiring disassembly of your tool requires safety testing and should only be performed by a Ryobi Authorized Service Center. For the service center nearest you call 1-800-525-2579.

RYOBI CIRCULAR SAW – MODEL NUMBER CSB122

The model number will be found on a label attached to the motor housing. Always mention the model number in all correspondence regarding your **CIRCULAR SAW** or when ordering parts.

**PARTS LIST
(Figure B)**

KEY NO.	PART NUMBER	DESCRIPTION	QTY
1	660140001	Screw (8-16 x 1/2 in., Pan Hd.).....	11
2	5917702	Handle Cover	1
3	6880001	Torsion Spring.....	1
4	5532203	Switch Trigger	1
5	760286001	Switch	1
6	6620613	Screw	2
7	6933702	Clamp Plate	1
8	5917802	Handle Support.....	1
9	730372017	Cord	1
10	5927401	Bend Relief.....	1
11	5917901	End Cap	1
12	630801001	Clamp.....	2
13	290075001	Brush Assembly.....	2
14	660311001	Screw (10-24 x 3/4 in., Pan Hd.).....	1
15	660311002	Screw (10-24 x 1-1/8 in., Pan Hd.)	2
16	5531904	Motor Housing	1
17	5579301	Wire Holder	1
18	200215009	Field Assembly.....	1
19	660101002	Screw (8-10 x 1-7/8 in., Pan Hd.)	2
20	5542103	Gear Rack Shaft.....	1
21	680773001	Spring.....	1
22	640545006	Upper Blade Guard.....	1
23	6942701	Shaft Lock Rack.....	1
24	680801001	Sleeve Bearing	1
25	680141020	Ball Bearing (608 zz)	1
26	680894001	Ball Bearing (6001 LLU)	1
27	200216011	Armature Assembly (Inc. Key Nos. 25-26).....	1