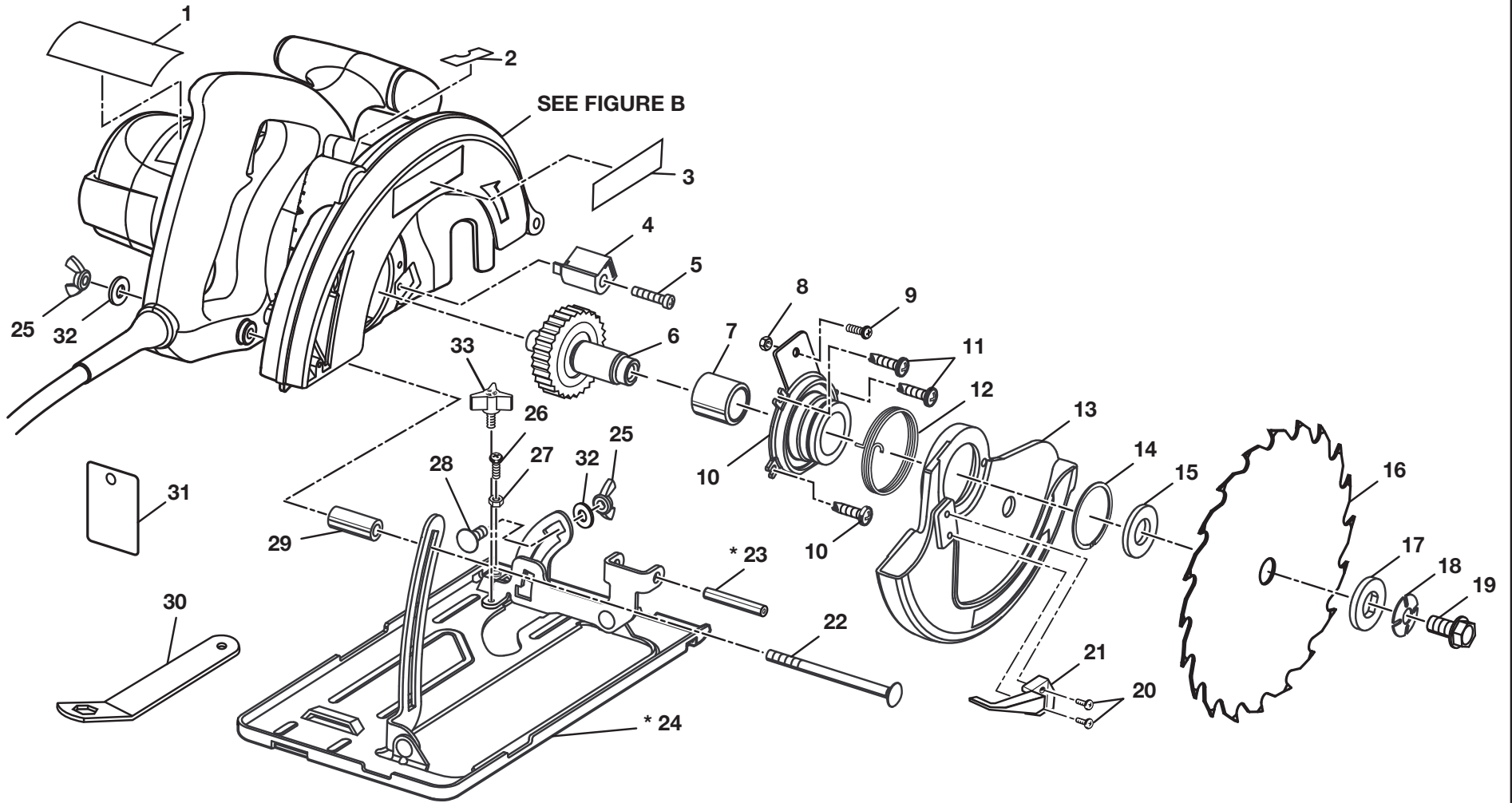


RYOBI CIRCULAR SAW – MODEL NUMBER CSB121



* Note: Changes start with Date Code
0648 and Serial Number 18850

FIGURE A

RYOBI CIRCULAR SAW – MODEL NUMBER CSB121

The model number will be found on a label attached to the motor housing. Always mention the model number in all correspondence regarding your **CIRCULAR SAW** or when ordering parts.

PARTS LIST (Figure A)

KEY NO.	PART NUMBER	DESCRIPTION	QTY	KEY NO.	PART NUMBER	DESCRIPTION	QTY
1	9429813	Data Plate	1	22	621433018	Carriage Bolt (1/4-20 x 3-3/4 in.)	1
2	9427576	Spindle Lock Decal	1	23	* 680980003	Roll Pin	1
3	9429810	Logo Plate	1		6898001	Roll Pin	1
4	974900001	Bumper	1	24	* 300530024	Base Assembly	1
5	982492131	Screw (8-32 x 3/4 in., Fil. Hd.)	1		3053005	Base Assembly	1
6	982481001	Gear and Spindle Assembly	1	25	621438006	Wing Nut	2
7	6880601	Sleeve Bearing	1	26	614658010	Screw (8-32 x 5/8 in., Pan Hd.)	1
8	680022003	Hex Nut	1	27	706404007	Hex Nut (8-32)	1
9	6621205	Screw (M4 x 8 mm)	1	28	621433001	Carriage Bolt (1/4-20 x 5/8 in.)	1
10	6454601	Lower Blade Guard Support	1	29	5542301	Spacer	1
11	610122003	Screw (8-32 x 3/8 in., Pan Hd.)	3	30	974716001	Wrench	1
12	967952001	Torsion Spring	1	31	9426410	Warning Tag	1
13	6447602	Lower Blade Guard	1	32	931744059	Flat Washer	2
14	718602804	Retaining Ring	1	33	550828004	Knob Bolt	1
15	999982001	Inner Blade Washer	1		Not Shown:		
16	6885605	Saw Blade	1		3063680	Carrying Case	1
17	998463001	Outer Blade Washer	1		982829001	Optional Dust Nozzle Kit	1
18	623547002	Spring Washer	1		983000126	Operator's Manual	
19	612999001	Blade Screw	1		2-20-12		
20	615954003	Screw (8-18 x 3/8 in., Pan Hd.)	2		(Rev:04)		
21	5918001	Handle Lever	1				

* Note : Changes start with Date Code
0648 and Serial Number 18850

RYOBI CIRCULAR SAW – MODEL NUMBER CSB121

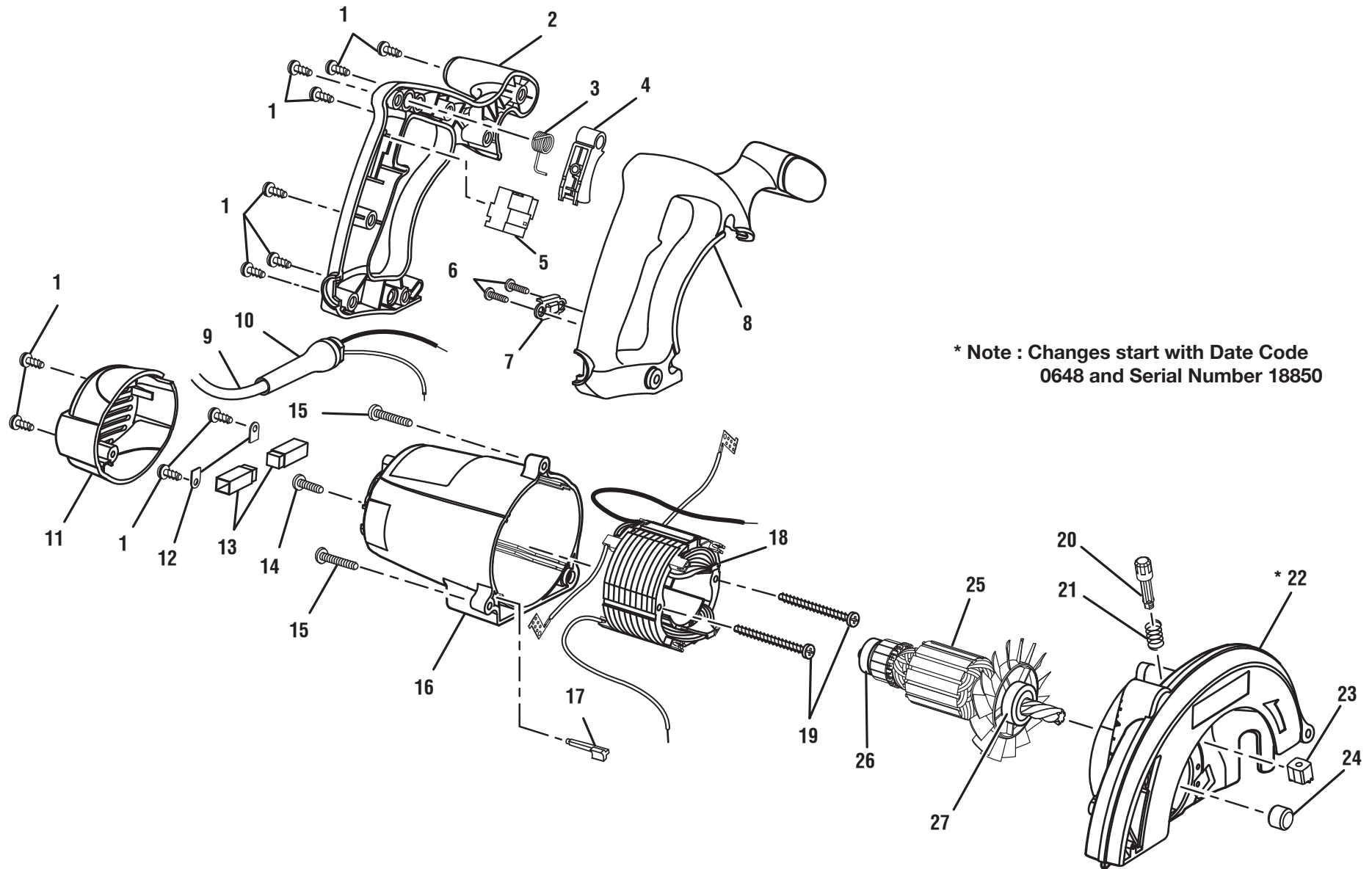


FIGURE B

⚠ WARNING: Improper repair of a double insulated tool can result in damages to the double insulation system possibly causing electrical shock or electrocution. Any repairs requiring disassembly of your tool requires safety testing and should only be performed by a Ryobi Authorized Service Center. For the service center nearest you call 1-800-525-2579.

RYOBI CIRCULAR SAW – MODEL NUMBER CSB121

The model number will be found on a label attached to the motor housing. Always mention the model number in all correspondence regarding your **CIRCULAR SAW** or when ordering parts.

PARTS LIST (Figure B)

KEY NO.	PART NUMBER	DESCRIPTION	QTY
1	968702007	Screw (8-16 x 1/2 in., Pan Hd.)	11
2	5917702	Handle Cover	1
3	6880001	Torsion Spring	1
4	5532203	Switch Trigger	1
5	7621301	Switch	1
6	6620613	Screw	2
7	6933702	Clamp Plate.....	1
8	5917802	Handle Support.....	1
9	730372017	Cord	1
10	5927401	Bend Relief.....	1
11	5917901	End Cap	1
12	617800002	Clamp.....	2
13	968173001	Brush Assembly	2
14	982500131	Screw (10-24 x 3/4 in., Pan Hd.)	1
15	982500137	Screw (10-24 x 1-1/8 in., Pan Hd.).....	2
16	5531904	Motor Housing	1
17	5579301	Wire Holder	1
18	200215009	Field Assembly.....	1
19	972147022	Screw (8-10 x 2-1/8 in., Pan Hd.).....	2
20	5542103	Shaft - Gear Rack	1
21	621342000	Spring.....	1
22	* 640545006	Upper Blade Guard	1
	640545002	Upper Blade Guard	1
23	6942701	Rack - Shaft Lock	1
24	968149003	Sleeve Bearing	1
25	200216011	Armature Assembly (Inc. Key Nos. 26-27)	1
26	680141020	Ball Bearing (608zz).....	1
27	680894001	Ball Bearing (6001 LLU)	1

*** Note: Changes start with Date Code
0648 and Serial Number 18850**