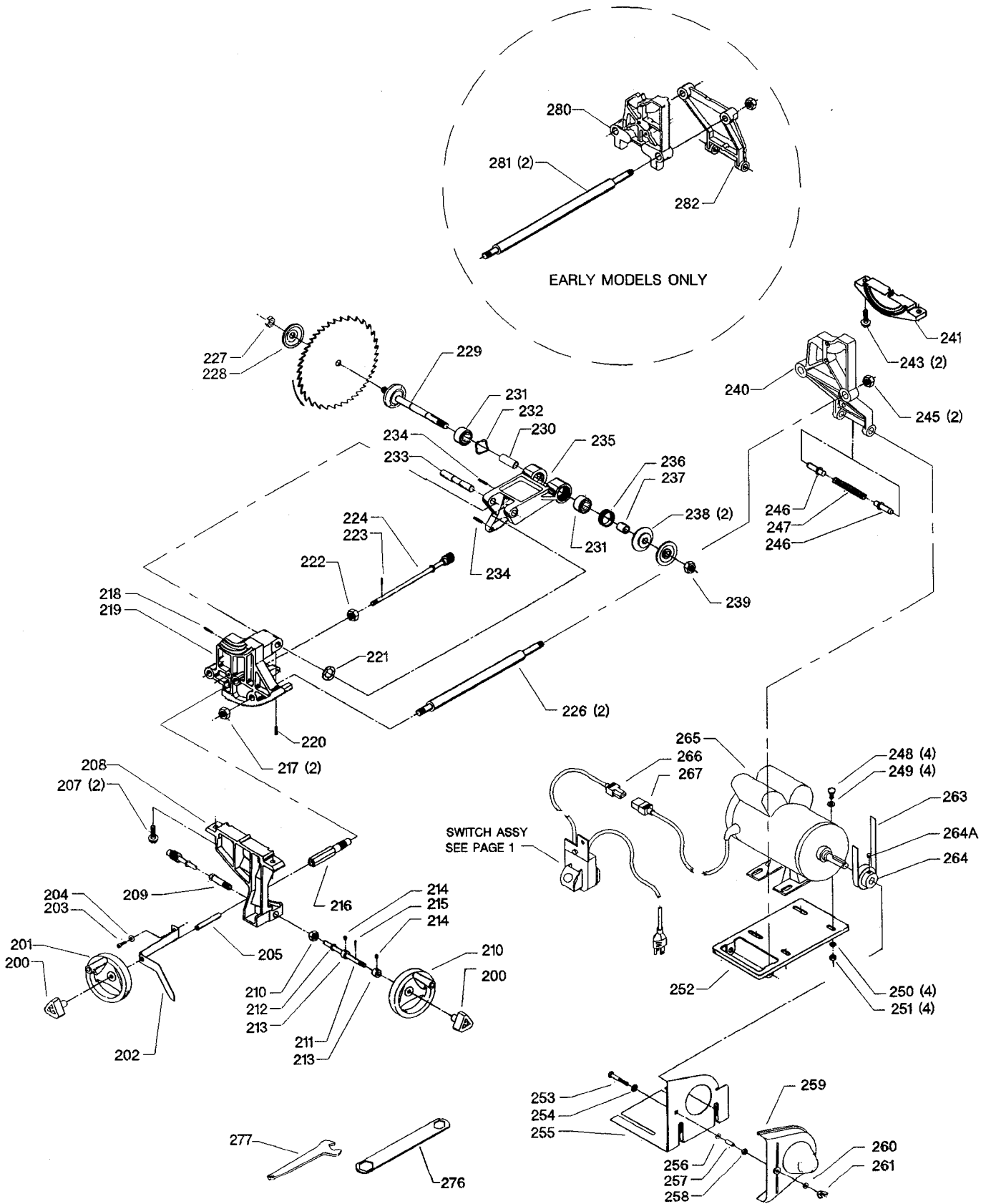


# REPLACEMENT PARTS

REF. NO.	PART NUMBER	DESCRIPTION	REF. NO.	PART NUMBER	DESCRIPTION
*	34-895	MITER GAGE, <i>CONST OF:</i>	61	961-01-010-7462	END PLUG
1	422-02-074-0001	HOLE PLUG	62	422-35-391-0001	TABLE
2	422-02-060-0003	HANDLE	63	1231355	5/16-18 X 1/2" HEX WASHER HD SCR
3	904-07-010-5555	1/4" FIBER WASHER	65	901-01-060-0649	5/16-18 X 1" HEX HD SCR
4	422-01-355-0004	MITER GAGE BODY, <i>INCL:</i>	66	904-01-010-1620	FLAT WASHER
5	901-04-150-1181	1/4-28 X 3/16" HEX SOC SET SCR	67	904-02-010-1703	5/16" LOCK WASHER
6	901-04-150-9428	#08-32 X 1/2" HEX SOC SET SCR	68	902-01-010-1300	5/16-18 HEX NUT
7	422-04-004-0001	BAR, <i>INCL:</i>	*	34-896	FENCE, <i>CONST OF:</i>
8	901-04-150-1181	1/4-28 X 3/16" HEX SOC SET SCR	70	901-02-010-0551	#10-32 X 1/4" ROUND HD SCR
9	422-01-088-0004	STOP LINK ( <i>CMO</i> )	71	951-01-020-7849	POINTER
9A	422-01-088-0002	STOP LINK ( <i>EMO</i> )	72	422-04-105-5001	SLEEVE
10	905-01-033-1754	(DIN 1481) M5 X 6MM SPRING PIN ( <i>EMO</i> )	*	422-04-312-5008	FRONT CLAMP ASSY, <i>CONST OF:</i>
11	422-01-112-0001	SCR	73	422-04-071-5005	PIN
12	422-01-075-0001	POINTER	74	422-04-071-5004	PIN
13	422-04-072-0001	PLATE	75	422-04-111-5002	LEVER
14	901-02-030-5750	1/4-28 X 5/16" FLAT HD SCR	76	931-01-011-4091	BALL HANDLE
20	34-154	TABLE INSERT, <i>INCL:</i>	77	422-04-351-5002	KNOB & PINION
21	901-04-461-5297	1/4-28 X 3/8" HEX SOC SET SCR	78	928-01-201-5898	SPRING
22	34-862	EXTENSION WING, <i>INCL:</i>	79	422-04-327-5002	FRONT CLAMP SHOE, <i>INCL:</i>
23	901-01-060-0680	7/16-20 X 3/4" HEX HD SCR	80	904-08-021-4550	RUBBER BUSHING
24	904-01-010-1638	FLAT WASHER	81	928-01-041-4123	SPRING
25	902-01-010-1207	3/8-24 HEX NUT	82	422-04-012-5005	FRONT CLAMP BODY
26	904-02-020-1704	3/8" LOCK WASHER	83	422-04-042-5005	ECCENTRIC
27	904-01-010-1615	FLAT WASHER	84	901-04-160-6218	1/4-20 X 1/4" HEX SOC SET SCR
28	901-04-293-1395	5/16-18 X 3/4" HEX SOC SET SCR	85	928-01-021-5301	SPRING
29	438-01-004-0054	CABLE TIE	86	422-04-108-5001	ROD
30	422-04-104-0001	SPACER	87	422-04-067-5001	LEVER
31	422-04-112-5007	SPECIAL SCR	88	422-04-010-5002	REAR SLIDE BLOCK
32	422-04-055-0001	FRONT GUIDE RAIL	89	905-04-071-4459	DOWEL PIN
*	34-278	SWITCH KIT ASSY, <i>CONST OF:</i>	90	928-01-041-4118	COIL SPRING
37	902-01-010-5900	3/8-16 JAM NUT	91	422-04-027-0001	HOOK
38	422-19-001-0003	SWITCH PLATE ( <i>CMO</i> )	92	901-01-060-0605	5/16-18 X 1/2" HEX HD SCR
38A	422-39-089-0007	SWITCH PLATE ( <i>EMO</i> )	93	904-01-010-1620	FLAT WASHER
38B	422-19-001-0002	SWITCH ADAPTER PLATE ( <i>EMO</i> )	94	422-19-043-0001	FENCE BODY
39	901-03-030-8013	1/4-20 X 3/4" FLAT HD SCR ( <i>CMO</i> )	95	901-01-060-0677	3/8-24 X 1/2" HEX HD SCR
39A	901-01-060-0642	3/8-16 X 1" HEX HD SCR ( <i>EMO</i> )	96	904-01-033-1451	FLAT WASHER
40	902-01-120-1034	1/4-20 HEX NUT ( <i>CMO</i> )	*	34-412	BLADE GUARD ASSY, <i>CONST OF:</i>
40A	902-01-010-5900	3/8-16 JAM NUT ( <i>EMO</i> )	*	1086935	BLADE GUARD, <i>CONST OF:</i>
40B	904-02-020-1704	3/8" LOCK WASHER ( <i>EMO</i> )	100	1086334	"SEE THRU" GUARD
41	901-05-163-1229	#10-16 X 1/2" PAN HD SCR	101	1086388	PUSH NUT CAP
42	901-05-163-1229	#10-16 X 1/2" PAN HD SCR	102	1087811	PIN
43	422-39-013-0001	SWITCH BOX	103	1086353	SPRING
44	901-05-163-1126	#08-32 X 5/16" PAN HD SCR	104	422-16-047-0001	KICK BACK FINGER
45	438-01-302-0671	CORD <i>W/FEMALE DISCONNECTOR</i> ( <i>SEE NOTE A</i> )	105	422-16-071-0002	PIN
46	422-39-014-0022	SWITCH BOX COVER ( <i>CMO</i> )	106	1086387	PUSH NUT
46A	422-39-014-0009	SWITCH BOX COVER ( <i>EMO</i> )	107	1086337	PIVOT BRACKET
47	438-01-317-0127	SWITCH	108	905-01-010-6729	SPRING PIN
48	422-39-067-0001	SWITCH ACTUATOR	109	1086911	SPLITTER <i>W/BUSHING</i>
49	438-01-302-0672	CORD SET ( <i>SEE NOTE A</i> )	110	901-11-023-1476	5/16-18 X 5/8" CARRIAGE HD SCR
54	1087906	CABINET ASSY, <i>INCL:</i>	111	422-19-089-0003	BRACKET
55	422-19-132-0002	NAMEPLATE	112	904-01-010-1620	FLAT WASHER
56	1087794	RIVIT	113	902-01-010-1300	5/16-18 HEX NUT
57	902-01-503-1514	5/16-18 FLANGE NUT	114	901-01-060-0626	1/4-20 X 3/4" HEX HD SCR
58	901-02-050-0704	5/16-18 X 5/8" FILL HD SCR	115	904-01-010-1614	FLAT WASHER
59	422-03-089-0002	BRACKET	116	904-02-020-1702	1/4" LOCK WASHER
60	422-04-055-0002	REAR GUIDE RAIL	117	901-01-060-0649	5/16-18 X 1" HEX HD SCR
			118	422-03-072-0001	PLATE
			119	422-04-014-0037	SPLITTER BRACKET
			120	901-03-010-0230	1/4-20 X 2" HEX SOC HD SCR
			121	901-03-010-0755	1/4-20 X 3/4" HEX SOC HD SCR
			122	904-01-031-2934	1/4" FLAT WASHER

\* NOT SHOWN ASSEMBLED  
*(EMO)* = EARLY MODELS ONLY  
*(CMO)* = CURRENT MODELS ONLY

**NOTES:** A) WHEN INSTALLING POWER CORDS, (REF. NO. 45 & 49), INTO THE SWITCH BOX, TAKE CARE TO ENSURE THAT THE CORD'S OUTER INSULATING JACKET PASSES THRU THE SWITCH BOX CORD CLAMP AREA BEFORE TIGHTENING THE SWITCH BOX ASSEMBLY SCREWS.



# REPLACEMENT PARTS

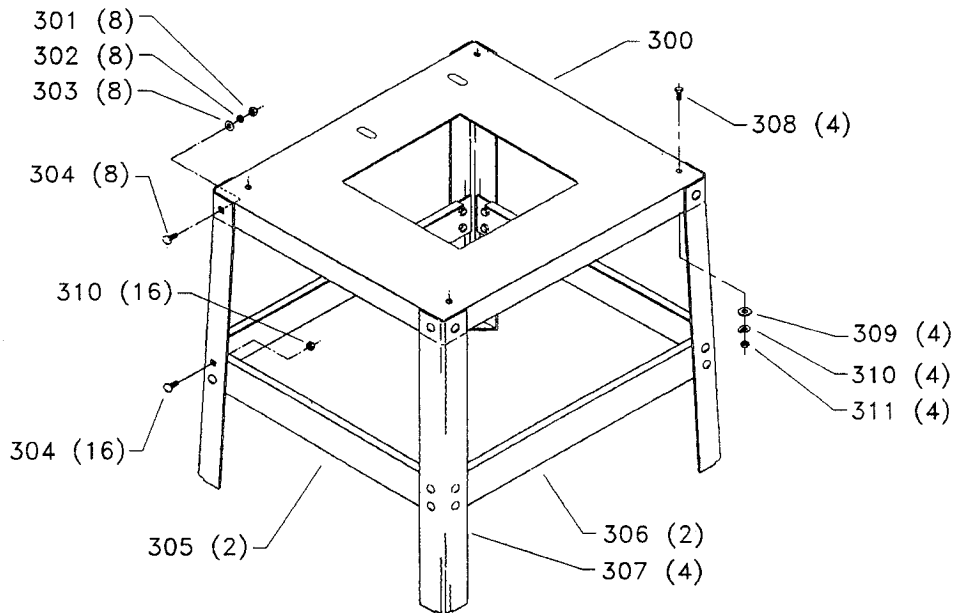
<u>REF. NO.</u>	<u>PART NUMBER</u>	<u>DESCRIPTION</u>	<u>REF. NO.</u>	<u>PART NUMBER</u>	<u>DESCRIPTION</u>
200	422-03-138-0002	KNOB	238	422-19-130-0001	PULLEY HALF
201	1086491	HANDWHEEL ASSY	239	902-01-020-1226	5/8-18 JAM NUT
202	422-19-075-0001	POINTER	240	422-19-095-0004	REAR TRUNNION (CMO)
203	901-03-010-3309	1/4-20 X 5/8" HEX SOC HD SCR	241	422-02-014-0010	TRUNNION BRACKET
204	904-01-010-1614	FLAT WASHER	243	901-02-763-1526	5/16-18 X 7/8" HEX WASHER HD SCR
205	422-19-104-0001	SPACER	245	902-01-283-1393	5/8-18 LOCK NUT
207	901-02-763-1526	5/16-18 X 7/8" HEX WASHER HD SCR	246	422-19-071-0002	PIN
208	1087233	FRONT TRUNNION, INCL:	247	422-19-122-0001	SPRING
209	422-35-042-0001	ECCENTRIC	248	901-11-020-0834	5/16-18 X 3/4" CARRIAGE HD SCR
210	902-01-020-9145	9/16-18 HEX NUT	249	904-01-010-1620	FLAT WASHER
211	1087893	TILT SHAFT ASSY, INCL:	250	904-03-030-1656	5/16" EXT TOOTH WASHER
**	905-01-010-2716	SPRING PIN	251	902-01-010-1300	5/16-18 HEX NUT
212	904-07-010-5554	3/8" FIBER WASHER	252	422-02-089-0005	MOTOR PLATE
213	426-03-388-0001	COLLAR ASSY, INCL:	*	34-965	BELT & PULLEY GUARD, CONST OF:
214	901-04-150-0208	1/4-20 X 1/4" HEX SOC SET SCR	253	901-01-060-3124	1/4-20 X 1 1/2" HEX HD SCR
215	905-01-010-2711	SPRING PIN	254	904-03-030-1757	1/4" EXT TOOTH WASHER
216	422-35-105-0001	SLEEVE	255	1088314	PLATE
217	902-01-283-1393	5/8-18 LOCK NUT	256	904-01-010-1614	FLAT WASHER
218	905-01-010-2706	3/16" X 1" SPRING PIN	257	424-03-017-0003	SPACER
219	422-35-095-0001	FRONT TRUNNION	258	902-01-120-1034	1/4-20 HEX NUT
220	901-04-141-9152	1/4-20 X 5/16" HEX SOC SET SCR	259	1088315	COVER
221	928-06-010-7381	WAVE WASHER	260	904-03-030-1757	1/4" EXT TOOTH WASHER
222	902-01-020-1226	5/8-18 JAM NUT	261	902-04-010-1402	1/4-20 WING NUT
223	905-01-010-2711	SPRING PIN	263	49-034	BELT
224	422-35-406-0001	ELEVATING SHAFT ASSY, INCL:	264	422-19-130-0003	MOTOR PULLEY (2-1/4" O.D.), INCL:
**	905-01-010-2716	SPRING PIN	264A	901-04-150-0206	5/16-18 X 5/16" HEX SOC SET SCR
226	422-19-004-0002	TIE BAR (CMO)	265	62-044	MOTOR ASSY, INCL:
227	902-01-200-9848	ARBOR NUT-LH	266	438-01-302-0671	CORD W/FEMALE DISCONNECTOR
228	422-04-103-5001	FLANGE			(SEE NOTE B)
229	422-19-303-0002	ARBOR ASSY	267	438-01-302-0661	CORD W/MALE CONNECTOR
230	1087857	SPACER			(SEE NOTE B)
231	1086894	BALL BEARING	276	422-39-101-0001	WRENCH (7/8 X 1/2")
232	928-06-020-7382	LOAD SPRING	277	955-01-050-1472	WRENCH
233	952-01-101-3267	SHAFT	280	422-19-095-0003	REAR TRUNNION (EMO)
234	905-01-010-2710	3/16" X 7/8" SPRING PIN	281	422-19-004-0001	TIE BAR (EMO)
235	422-02-014-0017	ARBOR BRACKET	282	422-19-014-0003	MOTOR BRACKET (EMO)
236	902-07-020-7176	BEARING CLOSURE NUT			
237	422-19-104-0005	SPACER			

\* NOT SHOWN ASSEMBLED  
 \*\* NOT SHOWN  
 (EMO) = EARLY MODELS ONLY  
 (CMO) = CURRENT MODELS ONLY

**NOTES:** B) WHEN INSTALLING POWER CORDS, (REF. NO. 266 & 267), INTO THE SWITCH BOX, TAKE CARE TO ENSURE THAT THE CORDS OUTER INSULATING JACKET PASSES THRU THE SWITCH BOX CORD CLAMP AREA BEFORE TIGHTENING THE SWITCH BOX ASSEMBLY SCREWS.

<u>REF. NO.</u>	<u>PART NUMBER</u>	<u>DESCRIPTION</u>
*	50-314	OPEN STEEL STAND, CONST OF:
300	436-02-115-0101	SHELF
301	902-01-010-1300	5/16-18 HEX NUT
302	904-02-010-1703	5/16" LOCK WASHER
303	904-01-010-1620	FLAT WASHER
304	901-11-023-1476	5/16-18 X 5/8" CARRIAGE HD SCR
305	436-02-103-0011	TIE BAR
306	436-02-103-0010	TIE BAR
307	436-02-066-0028	LEG
308	901-01-060-0649	5/16-18 X 1" HEX HD SCR
309	904-01-010-1620	FLAT WASHER
310	904-02-010-1703	5/16" LOCK WASHER
311	902-01-010-1300	5/16-18 HEX NUT

\* NOT SHOWN ASSEMBLED



#### STANDARD SAFETY EQUIPMENT

In order to promote tool safety, Delta International Machinery Corp. strictly enforces the policy of repairing or replacing any damaged or missing standard safety equipment on machines presented to Delta Authorized Service Centers for service/repair. Any product which is presented to a Delta Authorized Service Center for repairs which contains missing or damaged standard safety equipment will have that equipment repaired or replaced and the customer will be charged for any such service/repairs. Customers can avoid such charges only if the missing safety component is supplied to the service center at the time of repair.

This parts list is provided to aid in obtaining service parts. Copies of the instruction and maintenance literature can be obtained through the Delta Technical Publications Department or through your local service outlet.