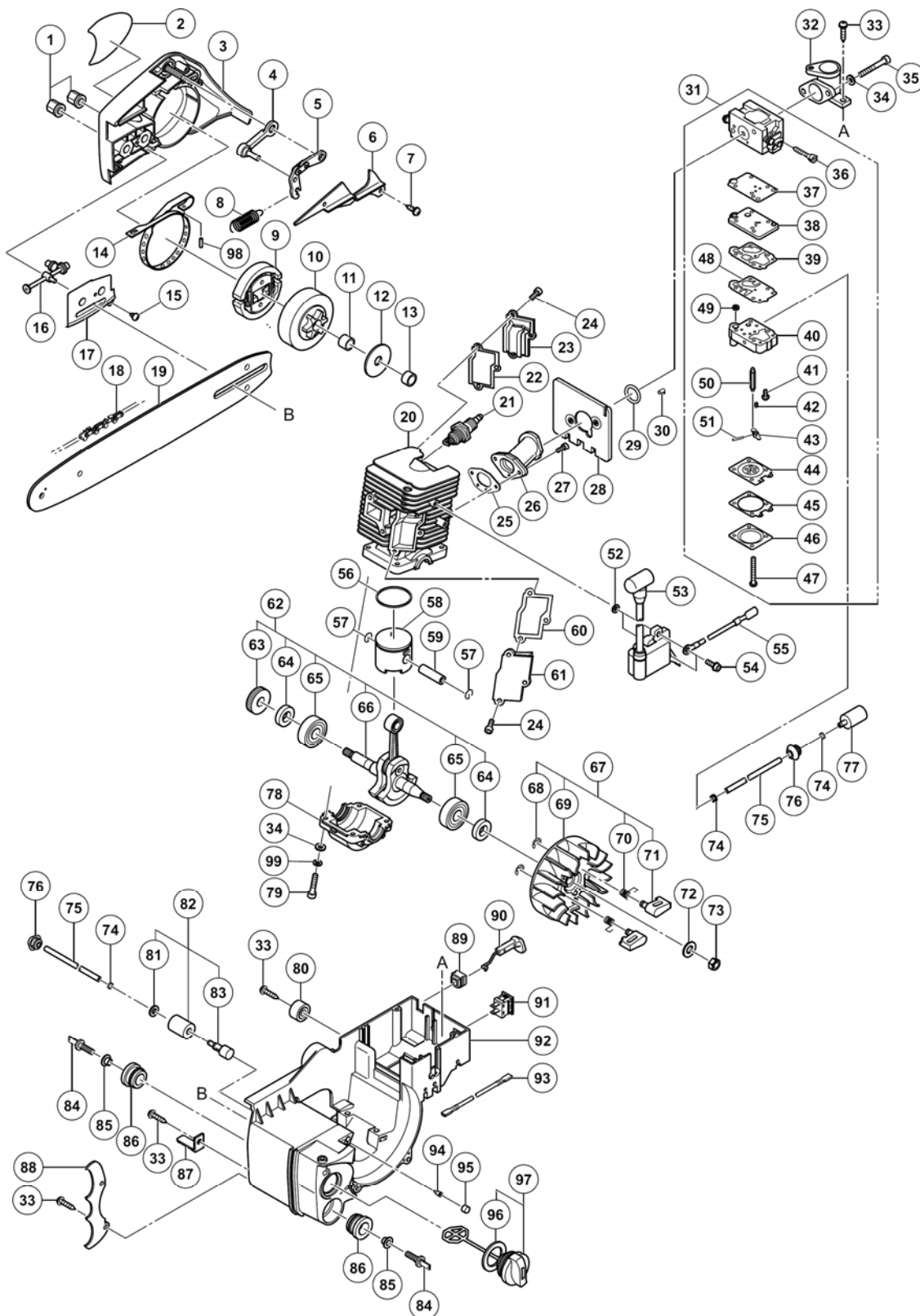


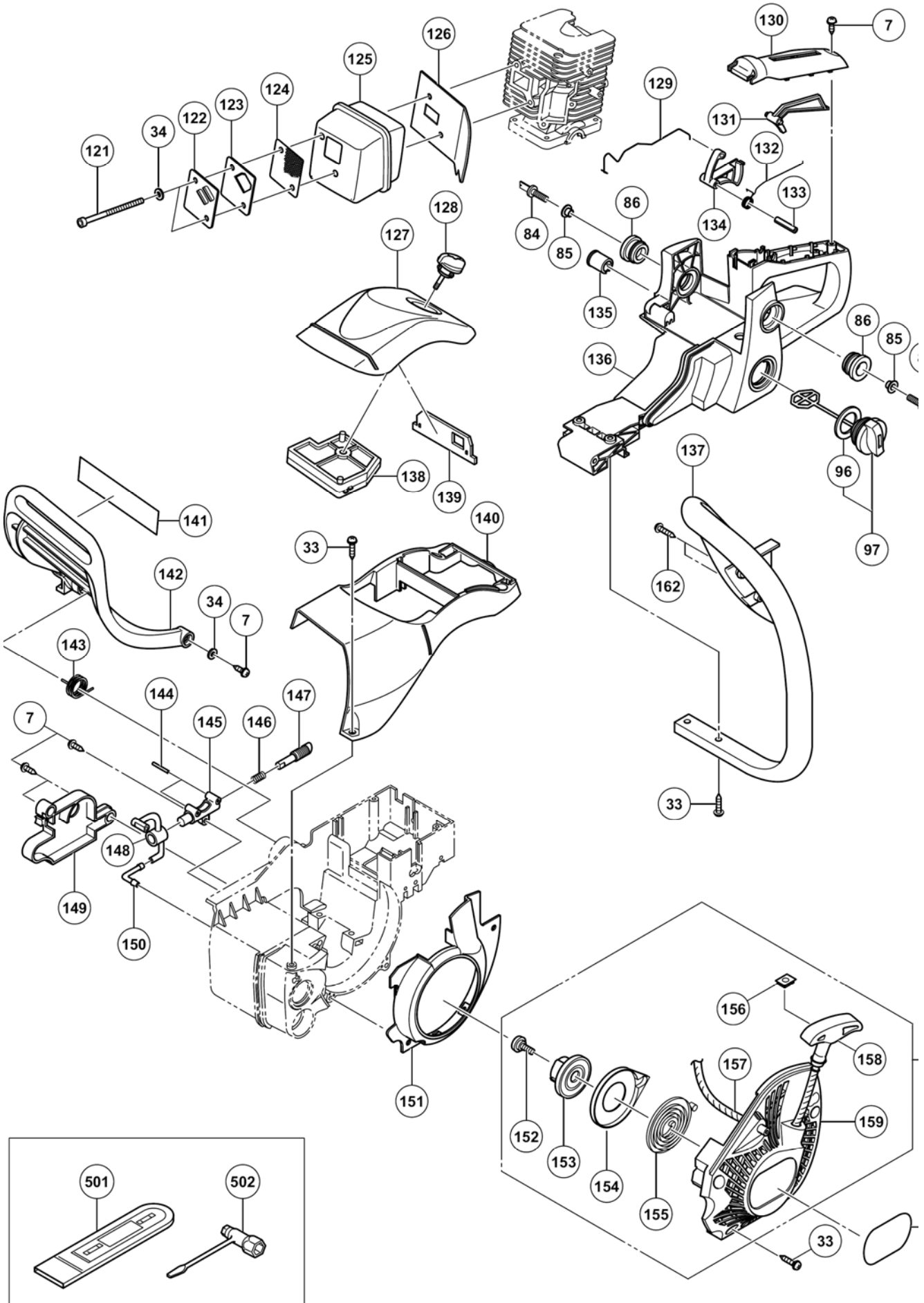
Hitachi Power Tools

ENGINE TOOL PARTS LIST

ENGINE CHAIN SAW
Model CS 33EB

2010 • 05 • 20
(E2)





PARTS

CS 33EB

ITEM NO.	CODE NO.	DESCRIPTION	NO. USED	REMARKS
1	6685416	CHAIN BAR CLAMP NUT	2	
2		NAME PLATE	1	
3	6685406	SIDE COVER SUB	1	
3	6685422	SIDE COVER SUB	1	FOR USA
4	6685387	BRAKE SUPPORT	1	
5	6685388	BRAKE LINK	1	
6	6685392	BRAKE LINK COVER	1	
7	305812	TAPPING SCREW (W/FLANGE) D4X16 (BLACK)	7	
8	6685389	BRAKE SPRING	1	
9	6685362	CLUTCH	1	
10	6685403	CLUTCH HOUSING	1	
11	6685361	NEEDLE BEARING (D)	1	
12	6685414	CLUTCH WASHER	1	
13	6685360	CRANK SHAFT COLLAR	1	
14	6685390	BRAKE BAND	1	
15	6685415	TAPPING SCREW D3X8	2	
16	6685393	CHAIN PULLER	1	
17	6685394	GUIDE PLATE	1	
18	6685170	SAW CHAIN (3/8X12") 91VG-45E	1	
18	6685171	SAW CHAIN (3/8X14") 91VG-52E	1	
18	6696330	SAW CHAIN (3/8X16") 91VG-57E	1	
19	6685294	CHAIN BAR 12 INCH 3/8 SP	1	
19	6685295	CHAIN BAR 14 INCH 3/8 SP	1	
19	6696520	CHAIN BAR 16 INCH 3/8 SP	1	
19	6685258	BAR 12 INCH	1	
19	6685260	BAR 14 INCH	1	
19	6685262	BAR 16 INCH	1	
20	6685405	CYLINDER (B)	1	
20	6685404	CYLINDER (A)	1	FOR EUROPE.U.SA.CAN (SINCE 8.2009 FOR FRG)
21	6685086	SPARK PLUG BPMR6A	1	
21	6685085	SPARK PLUG BPM6A	1	EXCEPT FOR EUROPE.RUS.AUS.CHN.SAF.MEX. PAN
22	6685317	COVER PACKING (B)	1	FOR EUROPE.U.SA.CAN (SINCE 8.2009 FOR FRG)
23	6685315	SCAVENGING COVER (B)	1	FOR EUROPE.U.SA.CAN (SINCE 8.2009 FOR FRG)
24	6696315	SEAL LOCK HEX. SOCKET HD. BOLT M4X8	6	FOR EUROPE.U.SA.CAN (SINCE 8.2009 FOR FRG)
25	6685318	INTAKE PACKING	1	
26	6685319	INTAKE	1	
27	6696860	SEAL LOCK HEX. SOCKET HD. BOLT M4X10	2	
28	6685322	CARBURETOR INSULATOR	1	
29	6696316	O-RING	1	
30	6685321	PULSE GUIDE	1	
31	6685435	CARBURETOR ASS'Y (B) WLB-1A	1	INCLUD.36-51
31	6685436	CARBURETOR ASS'Y (A) WLB-2A	1	INCLUD.36-51 FOR EUROPE USA.CAN (SINCE 8.2009 FOR FRG)
22	6685317	COVER PACKING (B)	1	FOR EUROPE.U.SA.CAN (SINCE 8.2009 FOR FRG)
32	6685323	CLEANER SUPPORT	1	
33	302089	TAPPING SCREW (W/FLANGE) D5X20 (BLACK)	12	
34	6685408	WASHER 5	9	
35	6696317	HEX. SOCKET HD. BOLT M5X45	2	
36	6696318	IDLE ADJUSTING SCREW	1	
37	6696319	PASSAGE GASKET	1	
38	6696320	PASSAGE PLATE	1	
39	6684692	PUMP GASKET	1	
40	6696322	PUMP BODY	1	
41	6691305	HINGE PIN SET SCREW	1	
42	6696323	METEALING LEVER SPRING	1	
43	6685217	CONTROL LEVER	1	
44	6684690	METERING DIAPHRAGM COMP.	1	
45	6685220	DIAPHRAGM PACKING	1	
46	6685222	DIAPHRAGM COVER	1	
47	6684699	SET SCREW	4	
48	6684693	PUMP DIAPHRAGM	1	

Parts

CS 33EB

ITEM NO.	CODE NO.	DESCRIPTION	NO. USED	REMARKS
49	6684700	INLET SCREEN	1	
50	6685215	NEEDLE VALVE	1	
51	6685219	HINGE PIN	1	
52	6684600	WASHER	2	
53	6685333	IGNITION COIL (FL33F)	1	
54	6696326	HEX. SOCKET HD. BOLT (W/FLANGE) M4X18	2	
55	6685338	CORD (B)	1	
56	6685331	PISTON RING (XR1-1856)	1	
57	6685326	CIRCLIP	2	
58	6685325	PISTON	1	
58	6696313	PISTON	1	FOR EUROPE.USA.CAN (SINCE 8.2009 FOR FRG)
59	6685327	PISTON PIN	1	
60	6685316	COVER PACKING (A)	1	FOR EUROPE.USA.CAN (SINCE 8.2009 FOR FRG)
61	6685314	SCAVENGING COVER (A)	1	FOR EUROPE.USA.CAN (SINCE 8.2009 FOR FRG)
62	6685396	CRANK WORM ASS'Y	1	INCLUD.63-66
63	6685330	WORM	1	
64	6685329	OIL SEAL	2	
65	6685328	BALL BEARING	2	
66	6685324	CRANK SHAFT	1	
67	6685418	MAGNETO ROTOR ASS'Y	1	INCLUD.68-71
68	6685336	RETAINING RING D4	2	
69	6685332	MAGNETO ROTOR (FLZ33C)	1	
70	6685335	STARTER PAWL SPRING	2	
71	6685334	STARTER PAWL	2	
72	6685410	BOLT WASHER D8	1	
73	6685337	FLYWHEEL NUT	1	
74	6685311	CLIP	3	
75	6685309	FUEL PIPE (A)	2	
76	6685308	FUEL GROMMET(A)	2	
77	6685199	PUMP FILTER BODY	1	
78	6685339	CRANK CASE	1	
79	6685412	SEAL LOCK HEX. SOCKET HD. BOLT M5	4	
80	6685313	DAMPER (B)	1	
81	6685407	BOLT WASHER D5	1	
82	6685249	OIL FILTER BODY ASS'Y	1	INCLUD.81.83
83	6685310	OIL FILTER BODY	1	
84	6685413	DAMPER SET BOLT	4	
85	696314	DISTANCE PIECE (B)	4	
86	6696327	DAMPER (A)	4	
87	6685363	CHAIN CATCHER	1	
88	6696329	SPIKE SET	1	FOR EUROPE.RUS.AUS.THA.SIN.IND.UAE.MEX
89	6685369	CHOKE ROD RUBBER	1	
90	6685368	CHOKE BUTTON	1	
90	6685421	CHOKE BUTTON	1	FOR USA
91	6685364	STOP SWITCH	1	
92	6685307	ENGINE CASE	1	
93	6685365	CORD (A)	1	
94	6685370	AIR VENT VALVE (B)	1	
95	6685371	AIR VENT SPONGE	1	
96	6685386	TANK CAP PACKING	2	
97	6685384	FUEL TANK CAP ASS'Y	2	INCLUD.96
97	6685385	FUEL TANK CAP ASS'Y	2	INCLUD.96 FOR USA
98	6685391	NEEDLE ROLLER D3	1	
99	949454	SPRING WASHER M5 (10 PCS.)	4	
121	6696328	SEAL LOCK HEX. SOCKET HD. BOLT M5X75	2	
122	6696861	EXHAUST PIPE	1	FOR EUROPE.USA.CAN.AUS
123	6696862	GAUZE FIXING PLATE	1	FOR USA.CAN.AUS
124	6685344	MUFFLER GAUZE	1	FOR USA.CAN.AUS
125	6685341	MUFFLER	1	
125	6685340	MUFFLER	1	FOR EUROPE.USA.CAN (SINCE 8.2009 FOR FRG)

Parts			CS 33EB	
ITEM NO.	CODE NO.	DESCRIPTION	NO. USED	REMARKS
125	6685342	MUFFLER	1	FOR AUS
126	6685346	MUFFLER PACKING	1	
127	6685382	CLEANER COVER	1	
128	6685383	CLEANER KNOB	1	
129	6696846	THROTTLE ROD	1	
130	6685367	REAR HANDLE GRIP	1	
131	6685350	TRIGGER LOCKOUT	1	
131	6685420	TRIGGER LOCKOUT	1	FOR USA
132	6685349	THROTTLE LEVER SPRING	1	
133	6685282	SPRING PIN 5X25	1	
134	6685348	THROTTLE LEVER	1	
134	6685419	THROTTLE LEVER	1	FOR USA
135	6685351	INNER CAP	1	
136	6685347	REAR HANDLE	1	
137	6685375	FRONT HANDLE	1	
138	6685378	CLEANER ELEMENT	1	
139	6685381	SHUTTER PLATE	1	
140	6685376	CYLINDER COVER	1	
140	6685377	CYLINDER COVER	1	FOR EUROPE.USA.CAN (SINCE 8.2009 FOR FRG)
141		CAUTION LABEL (A)	1	
142	6685373	BRAKE HANDLE	1	
143	6685374	BRAKE LEVER SPRING	1	
144	6685356	NEEDLE ROLLER 2.5X9.8	2	
145	6685353	PUMP CASE	1	
146	6685355	PUMP GEAR SPRING	1	
147	6685354	PUMP GEAR	1	
148	6685357	OIL PIPE	1	
149	6685359	PUMP COVER	1	
150	6685358	PIPE JOINT	1	
151	6685372	AIR DEFLECTOR	1	
160	6696847	RECOIL STARTER	1	
160	6696848	RECOIL STARTER	1	FOR USA
161		HITACHI LABEL	1	
162	305558	TAPPING SCREW (W/FLANGE) D5X25 (BLACK)	2	

STANDARD ACCESSORIES

CS 33EB

ITEM NO.	CODE NO.	DESCRIPTION	NO. USED	REMARKS
501	6685401	CHAIN COVER 12"	1	
501	6685439	CHAIN COVER 14"	1	
501	6685440	CHAIN COVER 16"	1	
502	6685402	COMBI BOX SPANNER 10/19MM	1	

OPTIONAL ACCESSORIES

ITEM NO.	CODE NO.	DESCRIPTION	NO. USED	REMARKS
601	6696520	CHAIN BAR 16 INCH 3/8 SP	1	
601	6685294	CHAIN BAR 12 INCH 3/8 SP	1	
601	6685295	CHAIN BAR 14 INCH 3/8 SP	1	
602	6696329	SPIKE SET	1	