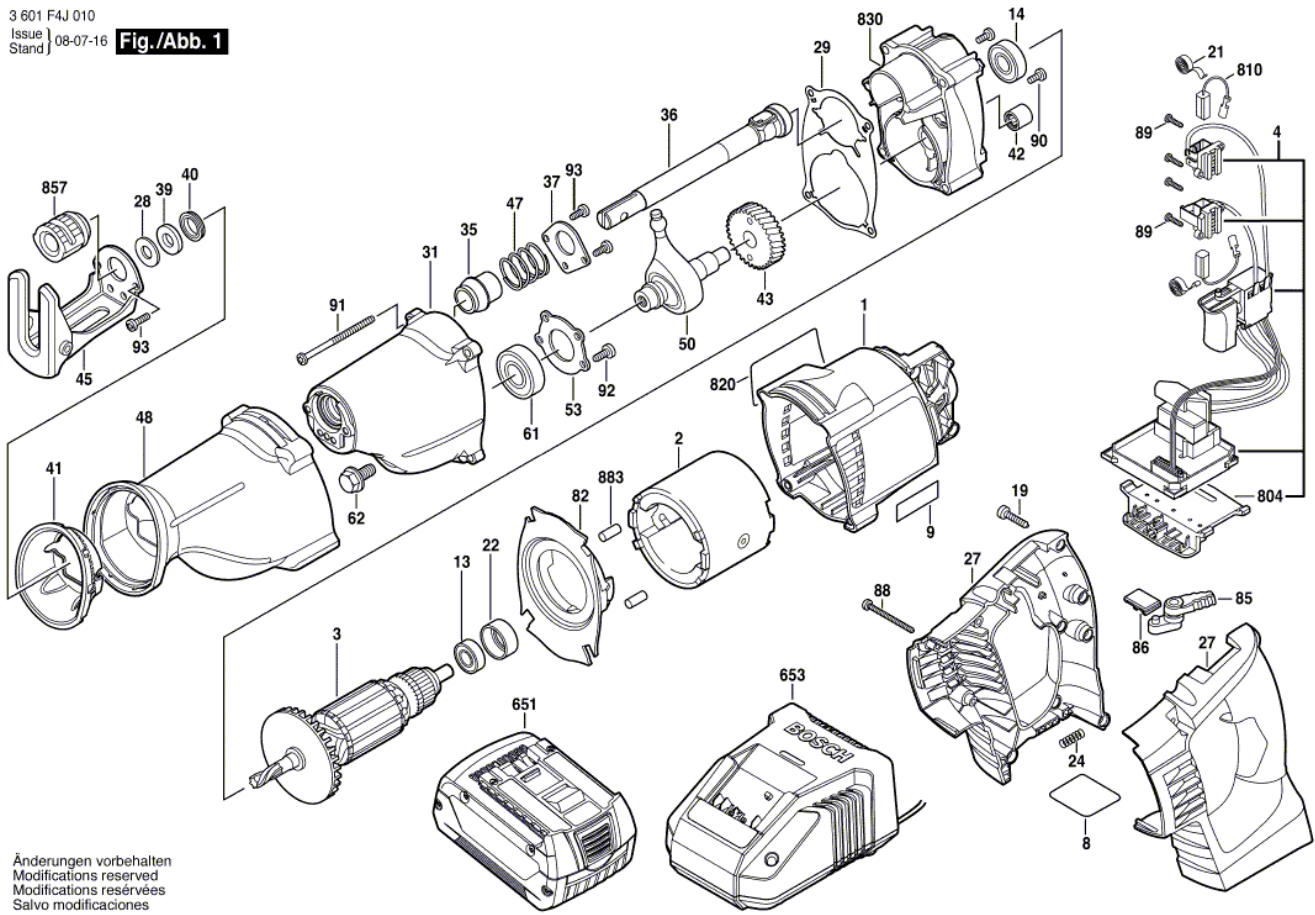


3 601 F4J 010
Issue 08-07-16
Stand

Fig./Abb. 1



Änderungen vorbehalten
Modifications reserved
Modifications réservées
Salvo modificaciones

| Pos. | Part Number | Description | Pos. | Part Number | Description |
|------|---------------|---------------------------|------|-------------|-------------|
| 1 | 2 610 943 009 | Motor Housing | | | |
| 2 | 2 610 942 109 | Field | | | |
| 3 | 2 610 957 808 | | | | |
| 4 | 1 607 233 336 | | | | |
| 8 | 2 610 956 937 | | | | |
| 9 | 2 610 945 890 | Manufacturer's nameplate | | | |
| 13 | 1 619 P01 511 | Deep-Groove Ball Bearing | | | |
| 14 | 1 900 905 173 | Deep-Groove Ball Bearing | | | |
| 19 | 2 610 315 386 | Screw | | | |
| 21 | 2 610 907 388 | Spiral Spring | | | |
| 22 | 1 619 P01 127 | Rubber Ring | | | |
| 24 | 2 604 690 055 | Compression Spring | | | |
| 27 | 2 610 956 663 | | | | |
| 28 | 2 610 908 804 | Protective Washer | | | |
| 29 | 2 610 934 995 | Sealing Plate | | | |
| 31 | 2 610 935 103 | Front Housing | | | |
| 35 | 2 610 934 999 | Sintered-Metal Bushing | | | |
| 36 | 2 610 944 393 | Spindle Assembly | | | |
| 37 | 2 610 935 431 | Spring Retaining Plate | | | |
| 39 | 2 610 030 004 | Felt Disc | | | |
| 40 | 2 610 995 815 | Shaft Seal | | | |
| 41 | 2 610 935 004 | Plastic Collar | | | |
| 42 | 2 610 908 698 | Needle-Roller Bearing | | | |
| 43 | 2 610 942 118 | Conversion Gear | | | |
| 45 | 2 610 935 005 | Supporting foot | | | |
| 47 | 2 610 937 437 | Compression Spring | | | |
| 48 | 2 610 935 008 | Insulating Sleeve | | | |
| 50 | 2 610 938 887 | Wobble Plate | | | |
| 53 | 2 610 935 010 | Retaining Plate | | | |
| 61 | 1 900 905 162 | Deep-Groove Ball Bearing | | | |
| 62 | 2 610 918 051 | Flange Bolt | | | |
| 82 | 2 610 935 014 | Baffle | | | |
| 85 | 2 610 956 664 | | | | |
| 86 | 2 610 956 683 | | | | |
| 88 | 1 619 P01 446 | Screw | | | |
| 89 | 1 619 P06 252 | Torx Oval-Head Screw | | | |
| 90 | 1 603 435 068 | Thread-forming tap. Screw | | | |
| 91 | 1 619 P01 932 | Screw | | | |
| 92 | 1 619 P01 447 | Screw | | | |
| 93 | 1 619 P01 931 | Screw | | | |
| 651 | 2 607 336 093 | | | | |
| 653 | 2 607 225 327 | | | | |
| 804 | 1 609 280 478 | | | | |
| 810 | 2 610 943 623 | Carbon-Brush Set | | | |
| 820 | 2 610 003 217 | | | | |
| 830 | 2 610 945 335 | Bearing Plate | | | |
| 857 | 2 610 920 684 | Blade Holder | | | |
| 883 | 3 602 391 503 | Rubber-Inter Calation | | | |