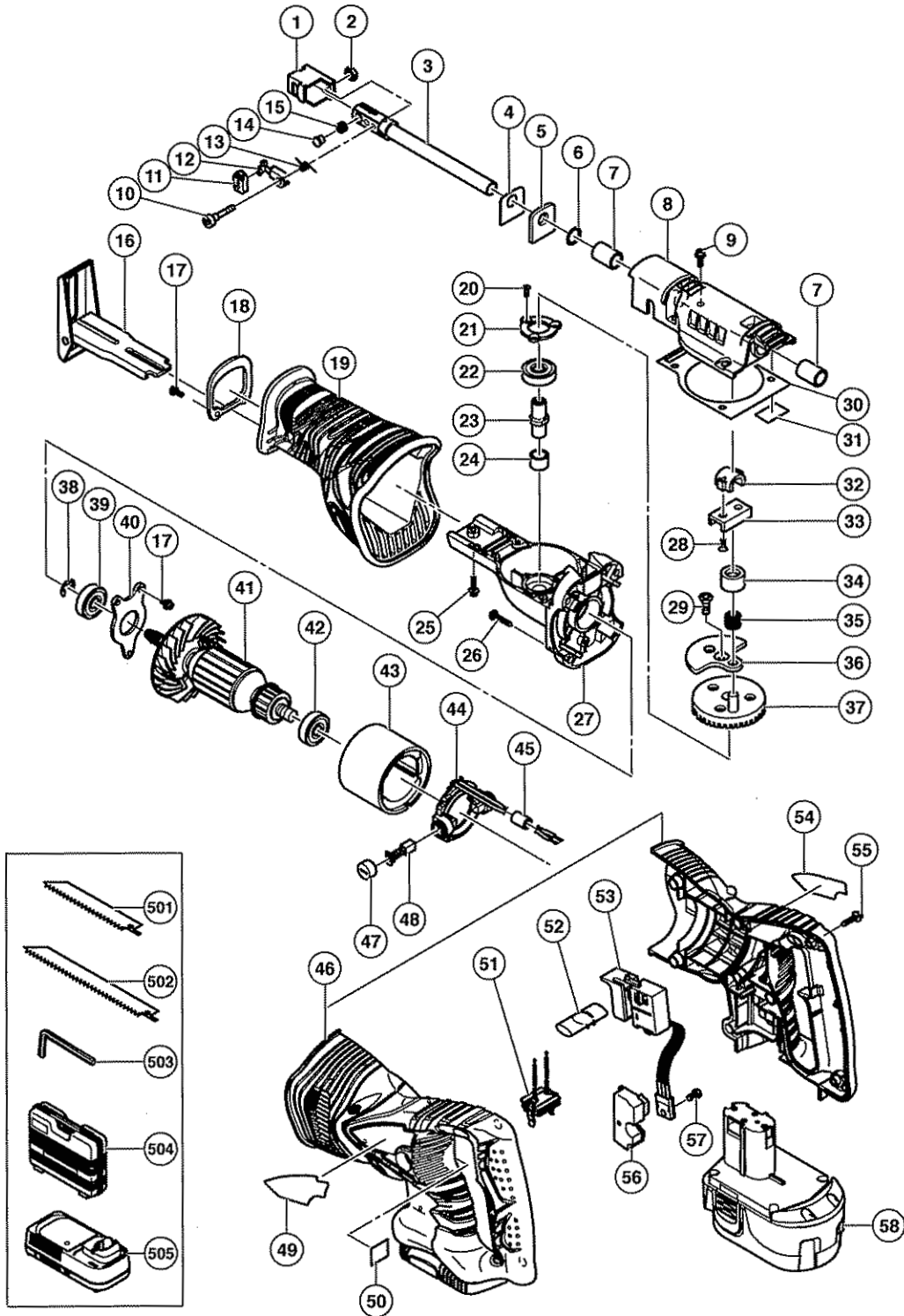


ELECTRIC TOOL PARTS LIST

■ CORDLESS RECIPROCATING SAW 2005 · 4 · 15
Model CR 18DMR (E1)



PARTS

CR 18DMR

| ITEM NO. | CODE NO. | DESCRIPTION | NO. USED | REMARKS |
|----------|----------|---|----------|------------------------------------|
| 1 | 321-132 | BLADE HOLDER (A) | 1 | |
| 2 | 322-709 | NUT M4 (BLACK) | 1 | |
| 3 | 324-472 | PLUNGER | 1 | |
| 4 | 996-401 | PACKING WASHER | 1 | |
| 5 | 996-400 | FELT PACKING | 1 | |
| 6 | 996-407 | O-RING (1AP-12) | 1 | |
| 7 | 956-589 | METAL | 2 | |
| 8 | 324-471 | UPPER COVER | 1 | |
| 9 | 305-574 | HEX. SOCKET HD. BOLT (W/SP. WASHER) M5X16 | 4 | |
| 10 | 322-134 | SPECIAL BOLT M4 | 1 | |
| 11 | 321-130 | CAP | 1 | |
| 12 | 321-131 | LEVER (A) | 1 | |
| 13 | 321-135 | SPRING (D) | 1 | |
| 14 | 321-134 | HOLDER PIN (B) | 1 | |
| 15 | 318-483 | SPRING (B) | 1 | |
| 16 | 319-866 | BASE | 1 | |
| 17 | 951-039 | MACHINE SCREW (W/SP. WASHER) M4X12 | 5 | |
| 18 | 324-474 | COVER PLATE | 1 | |
| 19 | 324-473 | FRONT COVER | 1 | |
| 20 | 993-244 | SEAL LOCK FLAT HD. SCREW M4X12 | 3 | |
| 21 | 319-849 | BEARING COVER (B) | 1 | |
| 22 | 690-1ZZ | BALL BEARING 6901ZZCMPS2L | 1 | |
| 23 | 319-848 | SPINDLE | 1 | |
| 24 | 954-789 | METAL (B) | 1 | |
| 25 | 996-399 | HEX. SOCKET HD. BOLT (W/FLANGE) M5X12 | 1 | |
| 26 | 986-011 | TAPPING SCREW (W/SP. WASHER) D5X30 | 4 | |
| 27 | 319-844 | GEAR COVER ASS'Y | 1 | INCLUD. 24 |
| 28 | 319-875 | SEAL LOCK HEX. SOCKET FLAT HD. BOLT M5X12 | 2 | |
| 29 | 319-851 | NYLOCK HEX. SOCKET FLAT HD. BOLT M6X16 | 1 | |
| 30 | 319-856 | SEAL PACKING | 1 | |
| 31 | 319-874 | PACKING (B) | 1 | |
| 32 | 983-567 | CONNECTOR HOLDER | 1 | |
| 33 | 996-405 | CONNECTOR | 1 | |
| 34 | 983-541 | CONNECTING PIECE (A) | 1 | |
| 35 | 324-470 | NEEDLE ROLLER | 1 | |
| 36 | 319-852 | BALANCE WEIGHT | 1 | |
| 37 | 324-469 | GEAR | 1 | |
| 38 | 670-514 | RETAINING RING (E-TYPE) FOR D10 SHAFT | 1 | |
| 39 | 600-1VV | BALL BEARING 6001VVCMP2L | 1 | |
| 40 | 319-843 | BEARING COVER (A) | 1 | |
| 41 | 360-703 | ARMATURE ASS'Y DC 18V | 1 | INCLUD. 38-40, 42 |
| 42 | 608-VVM | BALL BEARING 608VVC2PS2L | 1 | |
| 43 | 324-468 | MAGNET | 1 | |
| 44 | 324-478 | BRUSH BLOCK | 1 | |
| * 45 | 318-247 | FERRITE CORE | 1 | EXCEPT FOR AUS, NZL, USA, CAN, CHN |
| 46 | 324-475 | HOUSING (A). (B) SET | 1 | |
| 47 | 319-847 | BRUSH CAP | 2 | |
| 48 | 999-058 | CARBON BRUSH (1 PAIR) | 2 | |
| 49 | | HITACHI LABEL | 1 | |
| 50 | | CAUTION LABEL | 1 | |
| 51 | 324-517 | TERMINAL PIECE | 1 | |

