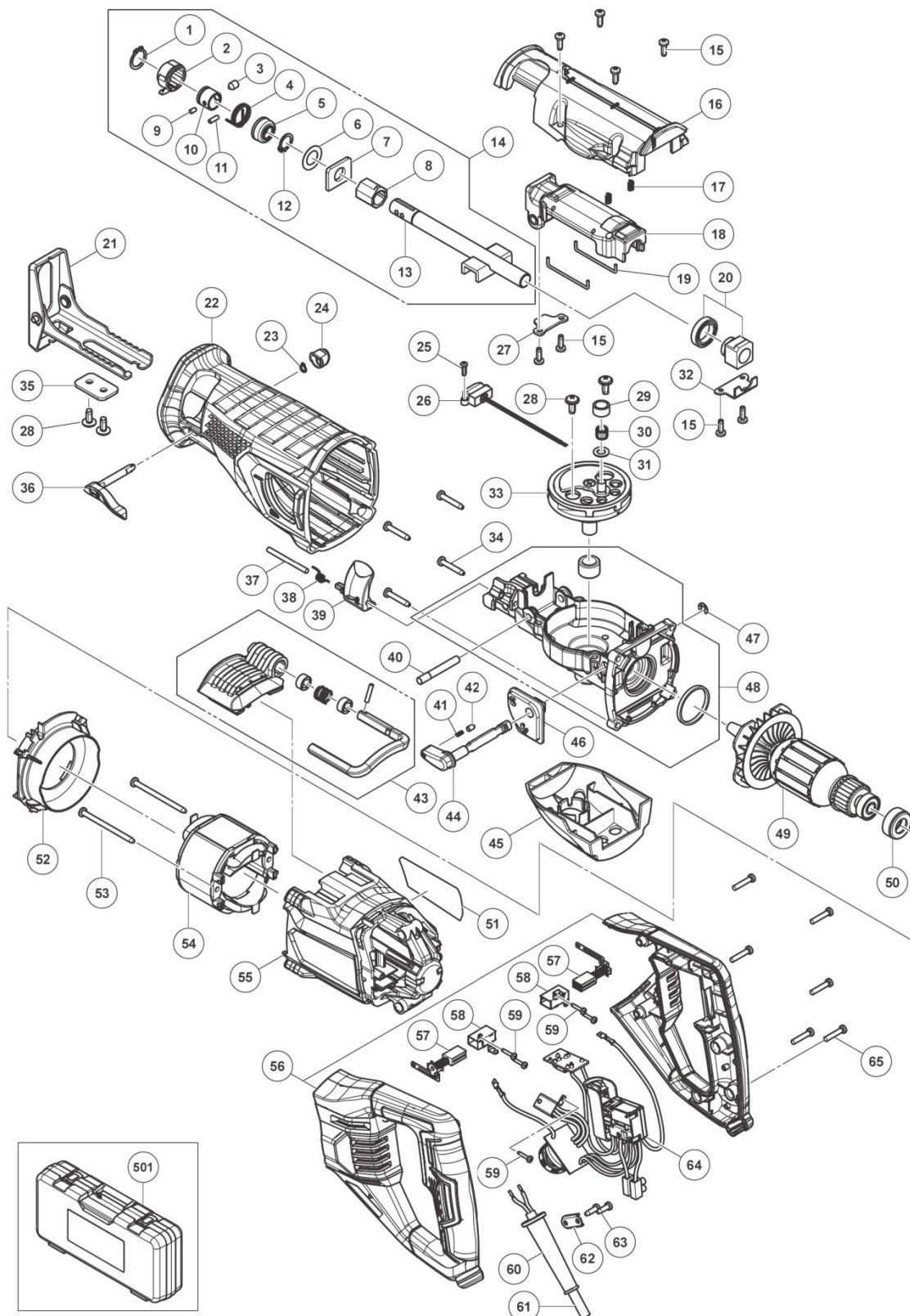


ELECTRIC TOOL PARTS LIST

■ RECIPROCATING SAW
Model CR 13VST

2018 • 05 • 29
(E1)



PARTS

CR13VST

ITEM NO.	CODE NO.	DESCRIPTION	NO. USED	REMARKS
1	372636	RETAINING RING C	1	
2	372637	BLADE HOLDER	1	
3	372639	HOLDER PIN	1	
4	372642	BLADE SPRING	1	
5	372643	BLADE HOLDER COVER	1	
6	372645	PACKING WASHER	1	
7	372646	FELT WASHER	1	
8	372647	METAL (A)	1	
9	372640	PIN (A)	1	
10	372638	SLEEVE	1	
11	372641	PIN (B)	1	
12	372644	RETAINING RING C	1	
13	372648	PLUNGER	1	
14	372693	PLUNGER ASS'Y	1	INCLUDE, 1-13
15	372649	M4 X 12 THREAD FORMING SCREW	4	
16	372650	UPPER COVER	1	
17	372651	SPRING (A)	2	
18	372652	PLUNGER SUPPORT	1	
19	372653	GUIDE WIRE	2	
20	372694	METAL ASS'Y	1	
21	372670	BASE	1	
22	372675	FRONT COVER	1	
23	372673	RETAINING RING C	1	
24	372674	CAP	1	
25	372677	M3 X 10 THREAD FORMING SCREW	1	
26	372678	LED ASS'Y	1	
27	372654	PLATE (A)	1	
28	372655	M5 X 12 THREAD FORMING SCREW	4	
29	372656	CONNECTING PIECE	1	
30	372657	NEEDLE ROLLER (A)	1	
31	372813	WASHER	1	
32	372812	PLATE (B)	1	
33	372658	GEAR (A)	1	
34	372676	ST4.2 X 25 TAPPING SCREW	4	
35	372671	PLATE (C)	1	
36	372672	BASE LEVER	1	
37	372660	BLADE LEVER SHAFT	1	
38	372661	BLADE LEVER SPRING	1	
39	372662	BLADE LEVER	1	
40	372663	SHAFT	1	
41	372667	SPRING (B)	1	
42	372666	STOPPER	1	
43	372696	HOOK ASS'Y	1	
44	372668	ORBITAL LEVER	1	
45	372669	BOTTOM COVER	1	
46	372665	LIMIT PLATE	1	
47	372664	ROLL PIN	1	
48	372695	GEAR COVER ASS'Y	1	
49	372680	ARMATURE ASS'Y	1	
50	372681	BEARING HOLDER	1	
51	372699	NAME PLATE (CR13VST)	1	
52	372682	FAN GUIDE	1	
53	372683	ST4.2 X 60 TAPPING SCREW	2	
54	372684	STATOR ASS'Y	1	
55	372685	HOUSING	1	
56	372697	HANDLE SET	1	
57	372687	CARBON BRUSH SET	1	
58	372686	CB TUBE	2	
59	372688	ST2.5 X 13 TAPPING SCREW	5	
60	372691	CORD ARMOR	1	

