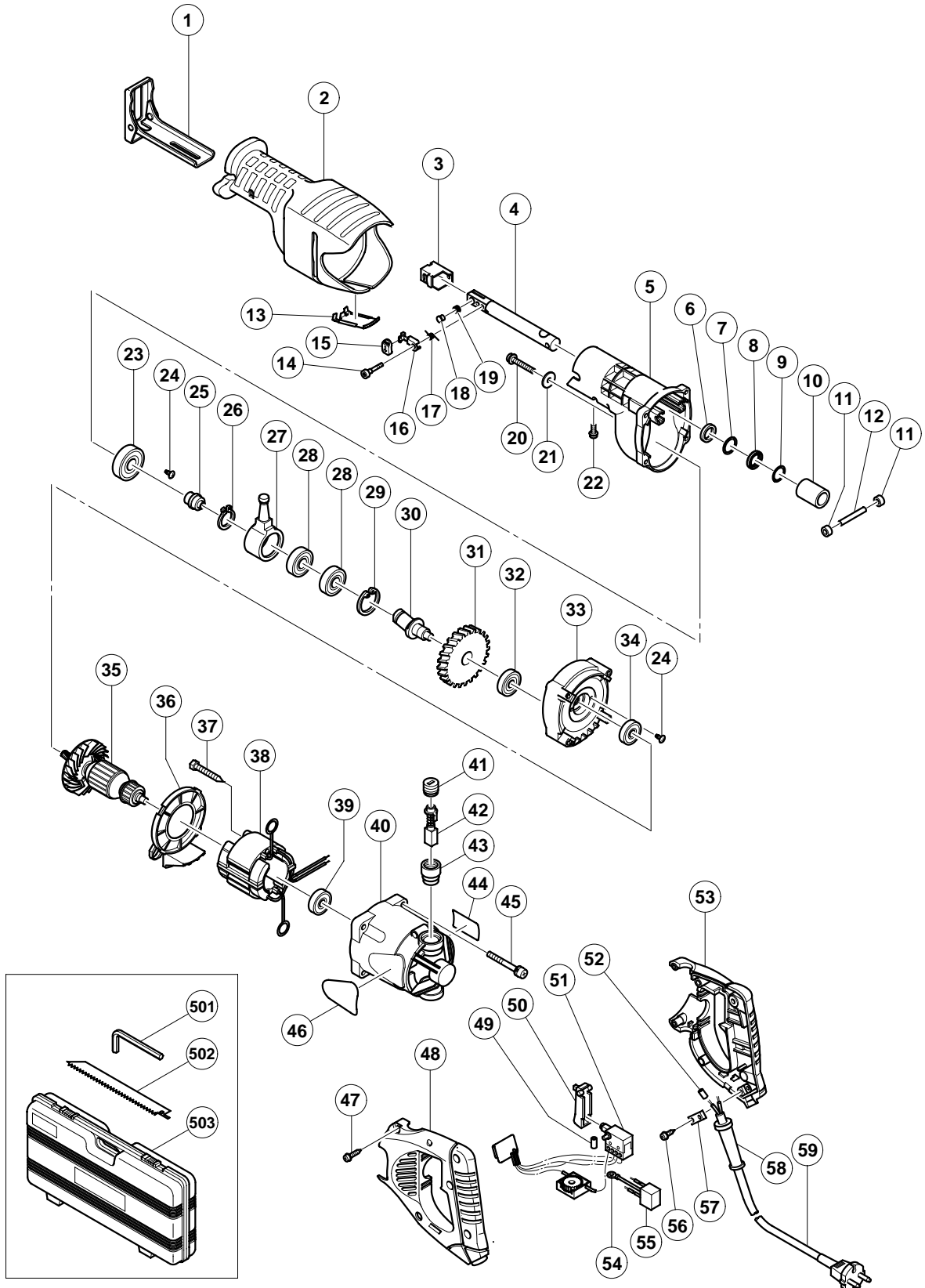


ELECTRIC TOOL PARTS LIST

■ RECIPROCATING SAW Model CR 13VC

2002 · 8 · 30

(E1)



PARTS

CR 13VC

ITEM NO.	CODE NO.	DESCRIPTION	NO. USED	REMARKS	
1	321-116	BASE (B)	1		
2	321-125	FRONT COVER (C)	1		
3	321-132	BLADE HOLDER (A)	1		
4	321-120	PLUNGER (B)	1		
5	321-123	GEAR COVER (B)	1		
6	318-458	FELT WASHER	1		
7	321-117	WASHER (H)	1		
8	318-459	V-RING	1		
9	321-118	O-RING	1		
10	321-214	METAL (B)	1		
11	321-136	SWING ROLLER	2		
12	318-491	PIN D6	1		
13	321-126	COVER CLIP	1		
14	321-133	SPECIAL BOLT M4	1		
15	321-130	CAP	1		
16	321-131	LEVER (A)	1		
17	321-135	SPRING (D)	1		
18	321-134	HOLDER PIN (B)	1		
19	318-483	SPRING (B)	1		
20	318-451	NYLOCK BOLT (W/FLANGE) M6X35	1		
21	318-452	WASHER (G)	1		
22	996-399	HEX. SOCKET HD. BOLT (W/FLANGE) M5X12	1		
23	600-2DD	BALL BEARING 6002DDCMPS2L	1		
24	314-430	SLOTTED HD. SCREW (SEAL LOCK) M4X10	5		
25	321-129	SUB SHAFT (B)	1		
26	967-261	RETAINING RING FOR D17 SHAFT	1		
27	321-121	RECIPRO PLATE	1		
28	600-3VV	BALL BEARING 6003VVCMP2L	2		
29	939-556	RETAINING RING FOR D35 HOLE (10 PCS.)	1		
30	321-128	SECOND SHAFT (B)	1		
31	321-127	GEAR (B)	1		
32	608-VVM	BALL BEARING 608VVC2PS2L	1		
33	321-124	INNER COVER (B)	1		
34	600-1VV	BALL BEARING 6001VVCMP2L	1		
*	35	360-581C	ARMATURE 110V	1	
*	35	360-581U	ARMATURE ASS'Y 120V	1	INCLUD.34,39
*	35	360-581E	ARMATURE 220V-230V	1	
*	35	360-581F	ARMATURE 240V	1	
	36	321-122	FAN GUIDE	1	
	37	961-501	HEX. HD. TAPPING SCREW D5X60	2	
*	38	340-479H	STATOR ASS'Y 110V-115V	1	INCLUD.37
*	38	340-479G	STATOR ASS'Y 120V-127V	1	INCLUD.37
*	38	340-479E	STATOR ASS'Y 220V-230V	1	INCLUD.37
*	38	340-479K	STATOR ASS'Y 240V	1	INCLUD.37
*	38	340-479J	STATOR ASS'Y 220V-230V	1	INCLUD.37 FOR NZL,FIJ,GBR,EUROPE,NOR,SWE, DEN,FIN
	39	608-VVM	BALL BEARING 608VVC2PS2L	1	
	40	318-506	HOUSING (GREEN)	1	
	41	945-161	BRUSH CAP	2	
	42	999-043	CARBON BRUSH (1 PAIR)	2	
	43	958-900	BRUSH HOLDER	2	

STANDARD ACCESSORIES

CR 13VC

ITEM NO.	CODE NO.	DESCRIPTION	NO. USED	REMARKS
501	944-458	HEX. BAR WRENCH 4MM	1	
* 502	318-613	SABER SAW BLADES NO.103 150L P.14 (5 PCS.)	1	
* 502	318-621	SABER SAW BLADES NO.132 203L (5 PCS.)	1	FOR USA,CAN
503	321-142	CASE	1	

OPTIONAL ACCESSORIES

ITEM NO.	CODE NO.	DESCRIPTION	NO. USED	REMARKS
601	959-610	SABER SAW BLADES NO.1 (5 PCS.)	1	
602	958-182	SABER SAW BLADES NO.2 (5 PCS.)	1	
603	958-183	SABER SAW BLADES NO.3 (5 PCS.)	1	
604	959-611	SABER SAW BLADES NO.4 (5 PCS.)	1	
605	958-185	SABER SAW BLADES NO.5 (5 PCS.)	1	
606	958-188	SABER SAW BLADES NO.8 (5 PCS.)	1	
607	318-611	SABER SAW BLADES NO.101 150L P.10 (5 PCS.)	1	
608	318-612	SABER SAW BLADES NO.102 228L P.10 (5 PCS.)	1	
609	318-614	SABER SAW BLADES NO.104 228L P.14 (5 PCS.)	1	
610	318-615	SABER SAW BLADES NO.105 150L P.18 (5 PCS.)	1	
611	318-616	SABER SAW BLADES NO.106 228L P.18 (5 PCS.)	1	
612	318-617	SABER SAW BLADES NO.107 150L P.24 (5 PCS.)	1	
613	318-618	SABER SAW BLADES NO.108 228L P.24 (5 PCS.)	1	
614	318-619	SABER SAW BLADES NO.121 305L P.6 (5 PCS.)	1	
615	318-620	SABER SAW BLADES NO.131 305L P.10/14 (5PC.)	1	
616	318-621	SABER SAW BLADES NO.132 203L (5 PCS.)	1	