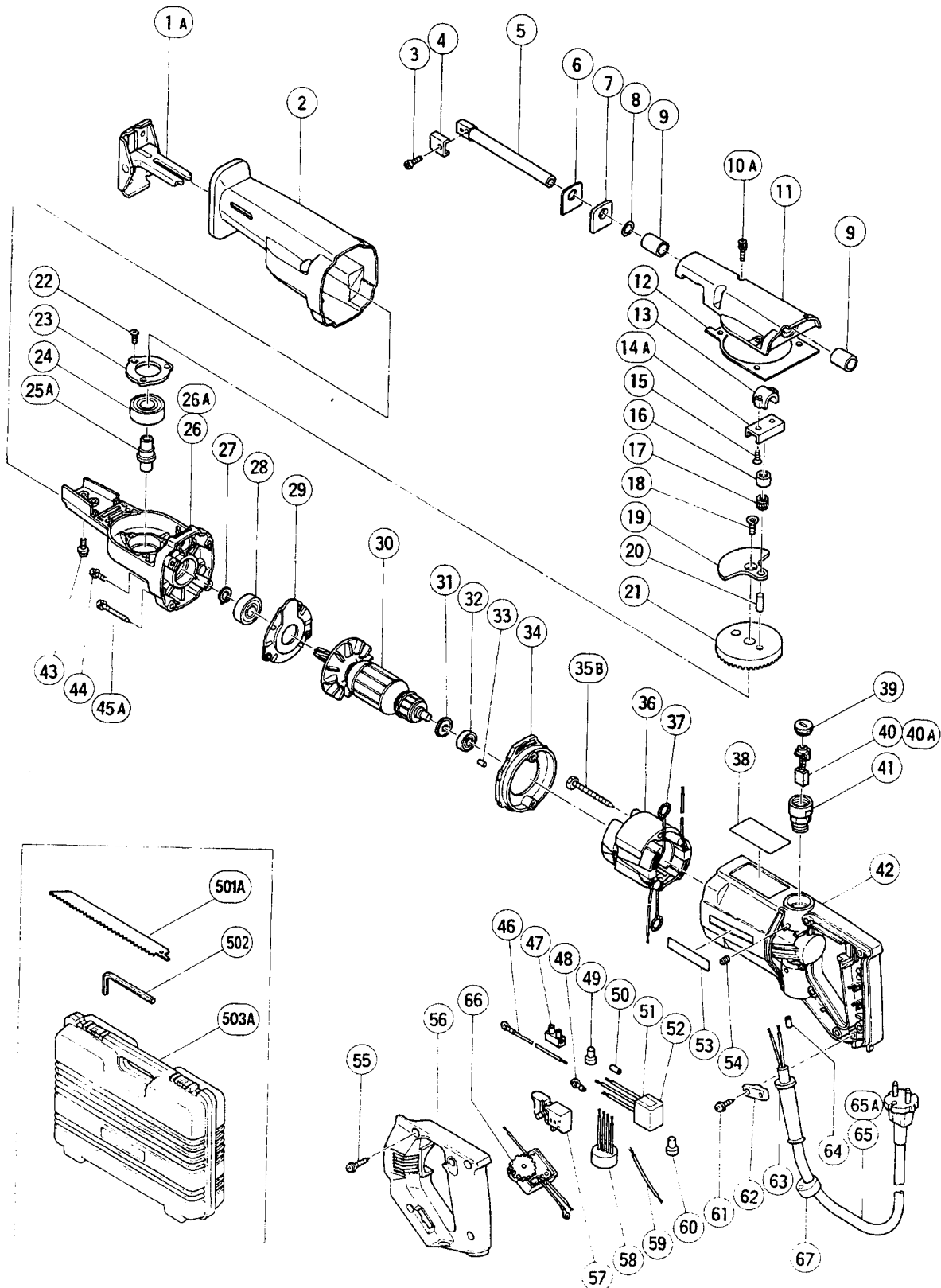


ELECTRIC TOOL PARTS LIST

■ SABER SAW
Model CR 12V

1997 • 5 • 30
(E4)



PARTS

CR 12V

ITEM NO.	CODE NO.	DESCRIPTION	NO. USED	REMARKS	
1A	996 - 452	BASE	1		
2	996 - 397	INSULATING COVER	1		
3	949 - 665	HEX. SOCKET HD. BOLT M5X14 (10 PCS.)	1		
4	956 - 608	BLADE HOLDER	1		
5	996 - 394	PLUNGER	1		
6	996 - 401	PACKING WASHER	1		
7	996 - 400	FELT PACKING	1		
8	996 - 407	O - RING (1AP - 12)	1		
9	956 - 589	METAL	2		
10A	305 - 574	HEX. SOCKET HD. BOLT (W/SP.WASHER) M5X16	4		
11	996 - 396	UPPER COVER ASS'Y	1	INCLUD.9	
12	996 - 406	SEAL PACKING	1		
13	983 - 567	CONNECTOR HOLDER	1		
14A	996 - 405	CONNECTOR	1		
15	983 - 550	SEAL LOCK HEX.SOCKET FLAT HD.BOLT M5X12	2		
16	983 - 541	CONNECTING PIECE (A)	1		
17	983 - 560	NEEDLE ROLLER H - 7108	1		
18	983 - 609	SEAL LOCK HEX.SOCKET FLAT HD.BOLT M6X16	1		
19	996 - 395	BALANCE WEIGHT	1		
20	983 - 558	PIN D7	1		
21	996 - 393	GEAR ASS'Y	1	INCLUD.20	
22	993 - 244	SEAL LOCK FLAT HD. SCREW M4X12	3		
23	996 - 392	BEARING COVER (A)	1		
24	620 - 2VV	BALL BEARING 6202VVCMP2S	1		
25A	984 - 446	SPINDLE	1		
26	996 - 391	GEAR COVER	1	TILL 2.1987	
26A	996 - 428	GEAR COVER	1	SINCE 3.1987	
27	939 - 542	RETAINING RING FOR D12 SHAFT (10 PCS.)	1		
28	620 - 1VV	BALL BEARING 6201VVCMP2S	1		
29	996 - 390	BEARING COVER	1		
*	30	360 - 070	ARMATURE 100V - 127V	1	
*	30	360 - 070E	ARMATURE 220V - 230V	1	
*	30	360 - 070F	ARMATURE 240V	1	
	31	956 - 387	DUST SEAL (A)	1	
	32	608 - VVM	BALL BEARING 608VVMC2EPS2L	1	
	33	946 - 362	BEARING LOCK	1	
	34	981 - 562	FAN GUIDE	1	
	35B	961 - 501	HEX. HD. TAPPING SCREW D5X60	2	
*	36	983 - 580C	STATOR ASS'Y 110V - 127V	1	INCLUD.37
*	36	983 - 580E	STATOR ASS'Y 220V - 240V	1	INCLUD.37
*	36	983 - 580F	STATOR ASS'Y 230V - 240V	1	INCLUD.37 FOR SIN,KUW,NGU,AUS
*	36	983 - 580H	STATOR ASS'Y 220V - 230V	1	INCLUD.37 FOR NZL,SAF,ITA,FIN,AUT,NOR,Sui
*	36	983 - 580J	STATOR ASS'Y 230V - 240V	1	INCLUD.37 FOR GBR,FRG,FRA,HOL,DEN,SWE,ESP
*	36	983 - 580K	STATOR ASS'Y 110V	1	INCLUD.37 FOR GBR
	37	930 - 703	BRUSH TERMINAL	2	
	38		NAME PLATE	1	
	39	961 - 781	BRUSH CAP	2	
*	40	999 - 043	CARBON BRUSH (1 PAIR)	2	
*	40A	981 - 612Z	CARBON BRUSH (AUTO STOP TYPE) (1 PAIR)	2	FOR USA
	41	981 - 586	BRUSH HOLDER	2	
	42	983 - 552	HOUSING ASS'Y	1	INCLUD.41.54

*: ALTERNATIVE PARTS

STANDARD ACCESSORIES

CR 12V

ITEM NO.	CODE NO.	DESCRIPTION	NO. USED	REMARKS
501A	959 - 610	SABER SAW BLADES NO.1 (5 PCS.)	1	
502	944 - 458	HEX. BAR WRENCH 4MM	1	
503A	310 - 905	CASE	1	

OPTIONAL ACCESSORIES

ITEM NO.	CODE NO.	DESCRIPTION	NO. USED	REMARKS
601A	958 - 182	SABER SAW BLADES NO.2 (5 PCS.)	1	
602A	958 - 183	SABER SAW BLADES NO.3 (5 PCS.)	1	
603A	959 - 611	SABER SAW BLADES NO.4 (5 PCS.)	1	
604A	958 - 185	SABER SAW BLADES NO.5 (5 PCS.)	1	
605A	958 - 186	SABER SAW BLADES NO.6 (5 PCS.)	1	
606A	958 - 187	SABER SAW BLADES NO.7 (5 PCS.)	1	
607A	958 - 188	SABER SAW BLADES NO.8 (5 PCS.)	1	
608	996 - 427	SABER SAW BLADES NO. 9 (3 PCS.)	1	
609	958 - 190	SABER SAW BLADES NO.97 FOR STAINLESS(5PC)	1	
610	958 - 191	SABER SAW BLADES NO.98 FOR STAINLESS(5PC)	1	
611	996 - 420	CUT - OFF GUIDE ASS'Y (L) FOR PIPE(75 - 175)	1	INCLUD.612 - 621
612	996 - 424	SLIDE PLATE	1	
613	996 - 421	GUIDE BAR	2	
614	996 - 426	PLATE (A)	1	
615	996 - 452	BASE	1	
616	996 - 423	NUT LEVER	1	
617	996 - 422	CHAIN BOLT	1	
618	949 - 818	HEX. SOCKET HD. BOLT M5X8 (10 PCS.)	2	
619	949 - 755	HEX. SOCKET HD. BOLT M6X16 (10 PCS.)	4	
620	949 - 425	WASHER M6 (10 PCS.)	2	
621	944 - 459	HEX. BAR WRENCH 5MM	1	
622	996 - 429	CUT - OFF GUIDE ASS'Y (S) FOR PIPE (10 - 55)	1	INCLUD.615,623 - 626
623	996 - 450	PLATE GUIDE	1	
624	996 - 451	PLATE	1	
625	993 - 843	KNOB BOLT M6X14	1	
626	976 - 706	MACHINE SCREW (W/WASHERS) M5X10	2	
* 627	312 - 472	BLADE ATTACHMENT	1	FOR FRA

*: ALTERNATIVE PARTS