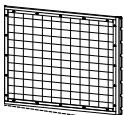


Index No.	Part No.	Description	Qty.
28	8950311718	TABLE	1
38	8950311723	SADDLE	1
39	8950321570	CYLINDER COMPLETE	1
41	8950311724	PLATE	1
60	8950321573	GAUGE	1
72		FRAME	1
81	8950321576	PUMP COMPLETE	1
82	8950311737	COVER	1
87	8950300374	COVER	1
A	8950311775	V- BLOCK SET (2)	1
A1	8950311776	PIN KIT	8
B	8950311777	PIN KIT	4
C	8950311778	FOOT KIT	2
D	8950311779	ROPE KIT	1
83	8950311735	SPRING	

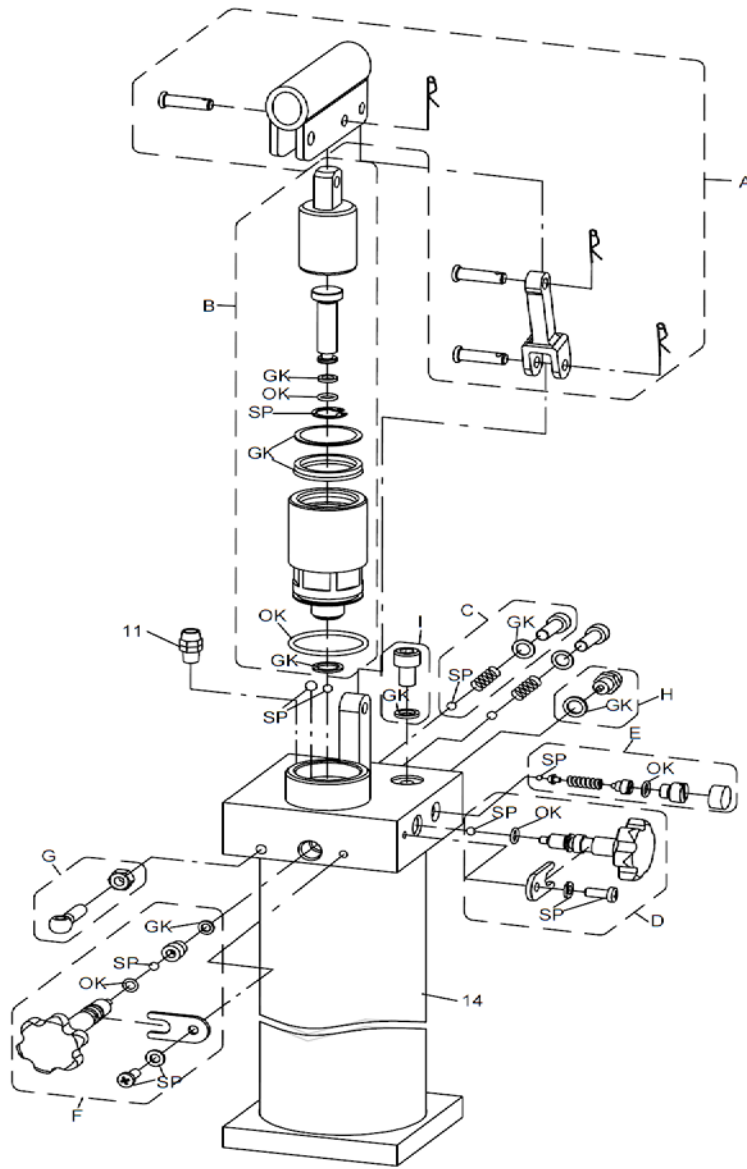
Index No.	Part No.	Description	Qty.
E	8950321617	HOSE KIT	1
F	8950321618	MANIFOLD KIT	1
G	8950311764	HANDLE COMPLETE	1
GK	8950321610	GASKET KIT	1
H	8950311765	FOOT PEDAL COMPLETE	1
I	8950311780	SLIDE KIT	2
J	8950311781	WINCH KIT	1
K	8950311782	PULLEY COMPLETE	1
L	8950311783	PULLEY COMPLETE	1
M	8950311784	PULLEY COMPLETE	2
N	8950311785	PULLEY COMPLETE	2
NP	8940170425	NAMEPLATE	1
SK	8950380018	SCREW KIT	1



8940170883	Safety instructions	1
8940170386	Operator's manual	1
8940170425	Warning label	1

**Recommended Accessories**

**8940173210 PROTECTIVE NET**

**8955000050 PRESS BOLT SET**



Index No.	Part No.	Description	Qty.
A	8950311773	HANDLE SOCKET KIT	1
B	8950321619	PUMP KIT	1
C	8950321528	VALVE KIT	2
D	8950321529	VALVE KIT	1
E	8950321562	VALVE KIT	1
F	8950321612	VALVE KIT	1
G	8950010734	SCREW COMPLETE	1
GK	8950321620	GASKET KIT	1
H	8950311703	PLUG KIT	1
I	8950010735	SCREW COMPLETE	1
OK	8950321621	O-RING KIT	1
SP	8950380019	SMALL PARTS KIT	1

Index No.	Part No.	Description	Qty.



8940170883	Safety instructions	1
8940170386	Operator's manual	1
8940170425	Warning label	1