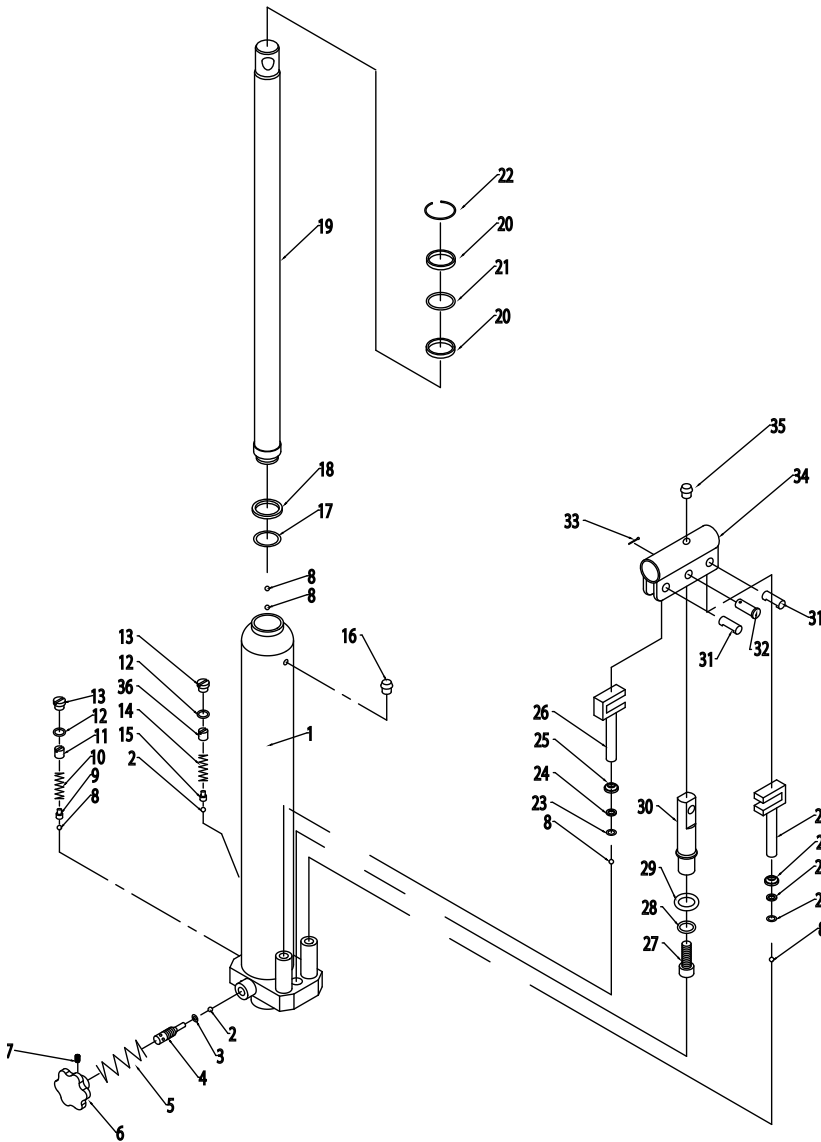


Ref	CP Part No.	Description	Q'ty
A	8940174955	Pin Kit	1
29		Pin	1
30		Retainer Ring 4	2
48		Bolt M6X10	1
B	8940174956	Shaft Kit	1
27		Shaft	1
28		B-Pin	2
C	8940174957	Hook Kit	1
32		Pin	1
33		Retainer Ring 18	2
34		M20 Nut	1
35		Pin Φ 4X30	1
36		Washer Φ 20	1
37		Hook Base	1
38		Hook	1
D	8940174958	Handle Kit	1
21		Sieve	1
39		Handle	1
E	8940174959	Pin Kit	1
19		Support Pin	1
33		Retainer Ring 18	2
40		Bolt M6X8	1
41		Bearing Seat	1
F	8940174960	Rear Caster Kit	2
12		Rear Caster	1
13		Washer	2
14		Underboarding	1
15		Spacer	1
16		Washer Φ 18	1
17		Lock Washer Φ 18	1
18		Screw	1
G	8940174961	Wheel Kit	2
02		Washer Φ 12	2
45		Wheel	1
46		Pin Φ 2.5X18	2
H	8940174962	Front Wheel Kit	2
01		Screw M12X85	1
02		Washer Φ 12	2
03		M12 Lock Nut	1
04		Bearing	2
05		Front Wheel	1
06		Spacer Bush	1
SP	8940174963	Small Part Kit	1
02		Washer Φ 12	7
09		M24 Lock Nut	2
10		Washer Φ 24	2
16		Washer Φ 18	4
22		M18X100 Screw	2
23		M18 Lock Nut	2
25		Spacer	2
42		Screw M12x35	7
43		Lock Washer Φ 12	7
7	8940174913	Front Leg Left	1
8	8940174914	Pin	2
11	8940174917	Plastic Cover	9
20	8940174926	Upright	1
21	8940174927	Sieve	2
24	8940174930	Boom	1
26	8940174932	Pump Assembly	1
31	8940174937	Boom Extension	1
44	8940174950	Base	1
47	8940174953	Front Leg Right	1



8940175026	Warning Label
8940174964	Operator's Manual
8940174964	Safety Instructions



Ref	CP Part No.	Description	Q'ty
A 8940175005 Rod Kit 1			
08		Steel Ball $\Phi 6$	2
17		O-Ring 28x3.55	1
18		Washer	1
19		Piston Rod	1
20		Retaining Ring	2
21		O-Ring 26.3x4.6	1
22		Steel Retainer Ring	1
B 8940175006 Safety Valve Kit 1			
02		Steel Ball $\Phi 6$	1
12		Washer	1
13		Bolt	1
14		Safety Valve Spring	1
15		Ball Sit	1
36		Bolt	1
C 8940175007 Safety Valve Kit 1			
08		Steel Ball $\Phi 6$	1
09		Ball Sit	1
10		Safety Valve Spring	1
11		Bolt	1
12		Washer	1
13		Bolt	1
D 8940175008 Release Valve Kit 1			
02		Steel Ball $\Phi 6$	1
03		O-Ring 7.1x2.65	1
04		Release Rod	1
05		Spring	1
06		Knob	1
07		Bolt M6X8	1
E 8940175009 Handle Socket Kit 1			
31		Shaft B	2
32		Shaft C	1
33		Pin	1
34		Handle Socket	1
35		Screw M8X16	1
F 8940175010 Pump Core Kit 2			
08		Steel Ball $\Phi 6$	1
23		O-Ring	1
24		Nylon Retainer Ring B	1
25		Wiper Ring	1
26		Pump Core	1
G 8940175011 Shaft Kit 1			
27		Hex Bolt M10X20	1
28		Washer 10	1
29		Lock Washer 10	1
30		Shaft A	1
GK 8940175012 Gasket Kit 1			
03		O-Ring 7.1x2.65	1
12		Washer	2
16		Oil Plug	1
17		O-Ring 28x3.55	1
18		Washer	1
20		Retaining Ring	2
21		O-Ring 26.3x4.6	1
23		O-Ring	2
24		Nylon Retainer Ring B	2
25		Wiper Ring	2

1	8940174969	Cylinder house	1
---	------------	----------------	---

	8940175026	Warning Label
	8940174964	Operator's Manual
	8940174964	Safety Instructions