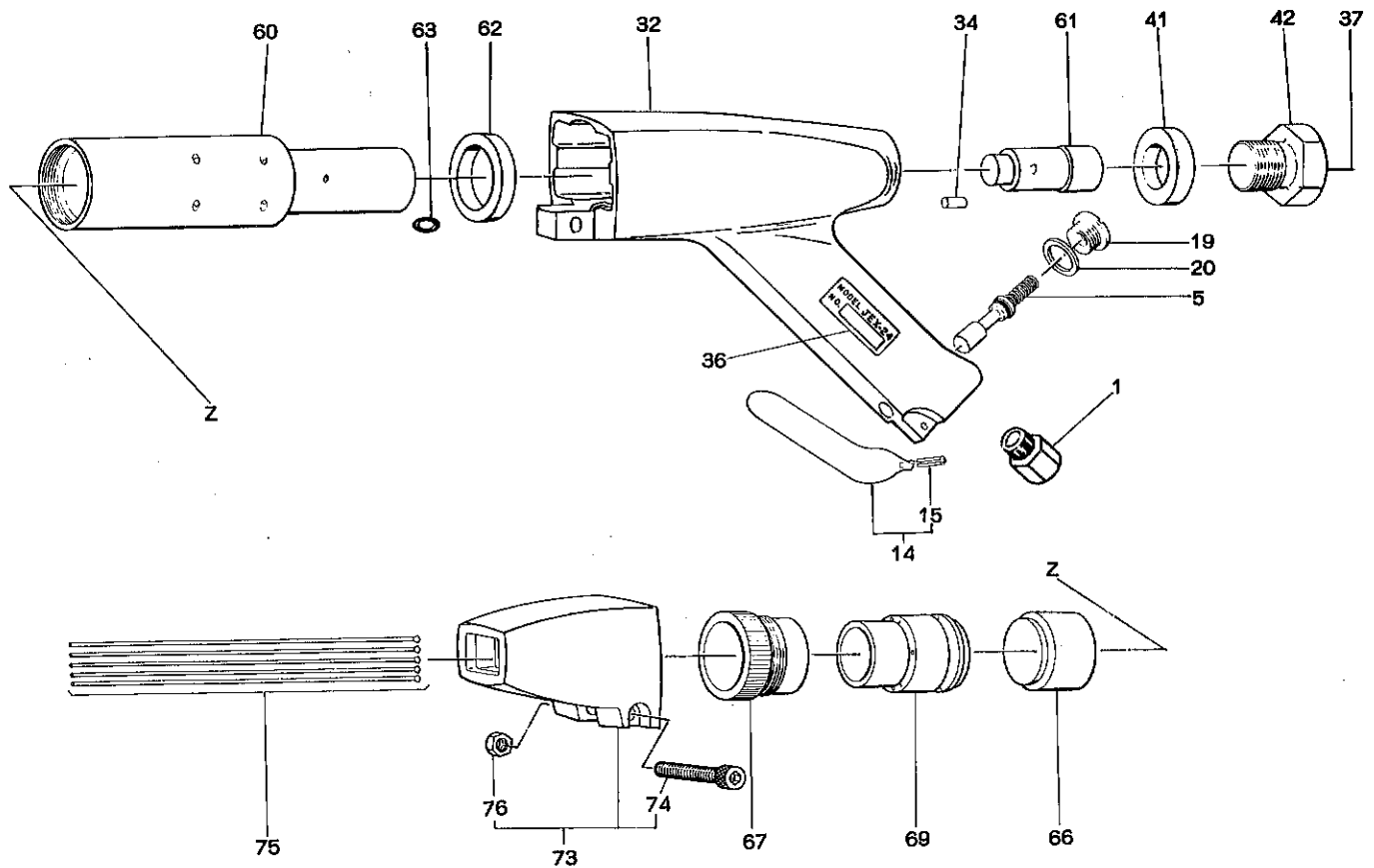


CP-952 NEEDLE SCALER Model "A"



Index No.	CP Part No.	Description	No. Req'd.	Index No.	CP Part No.	Description	No. Req'd.
1	NP-123898	Bushing-Air Inlet	1	62	NP-123909	Washer-Cylinder	1
5	NP-123925	Throttle Valve Ass'y	1	63	NP-123910	"O" Ring	1
14	NP-123916	Lever-Throttle	1	66	NP-123917	Anvil	1
15	NP-123891	Pin-Roll	1	67	NP-123919	Retainer-Needle Holder	1
19	NP-123923	Cap-Valve	1	69	NP-123922	Holder-Needle (3 MM)	1
20	NP-123924	Gasket-Cap	1		NP-123918	Holder-Needle (2 MM)	
32	NP-123908	Housing	1	73	NP-123920	Needle Guide Ass'y	1
34	NP-123912	Pin-Cylinder Lock	1	74	NP-123921	Screw-Socket Head	1
36	NP-124067	Decal-Patent	1		NP-123927	Wrench-Hex.	1
37	NP-124065	Plate-Name (Not Shown)	1	75	NP-123902	Set-Needle (3 MM) (Consists of 23 Steel Needles)	1
41	NP-123914	Washer-Rear Plug	1		NP-123906	Set-Needle (2 MM) (Consists of 53 Steel Needles)	
42	NP-123915	Plug-Housing	1				
60	NP-123911	Cylinder	1	76	KF-124267	Nut M8	1
61	NP-123913	Piston	1				