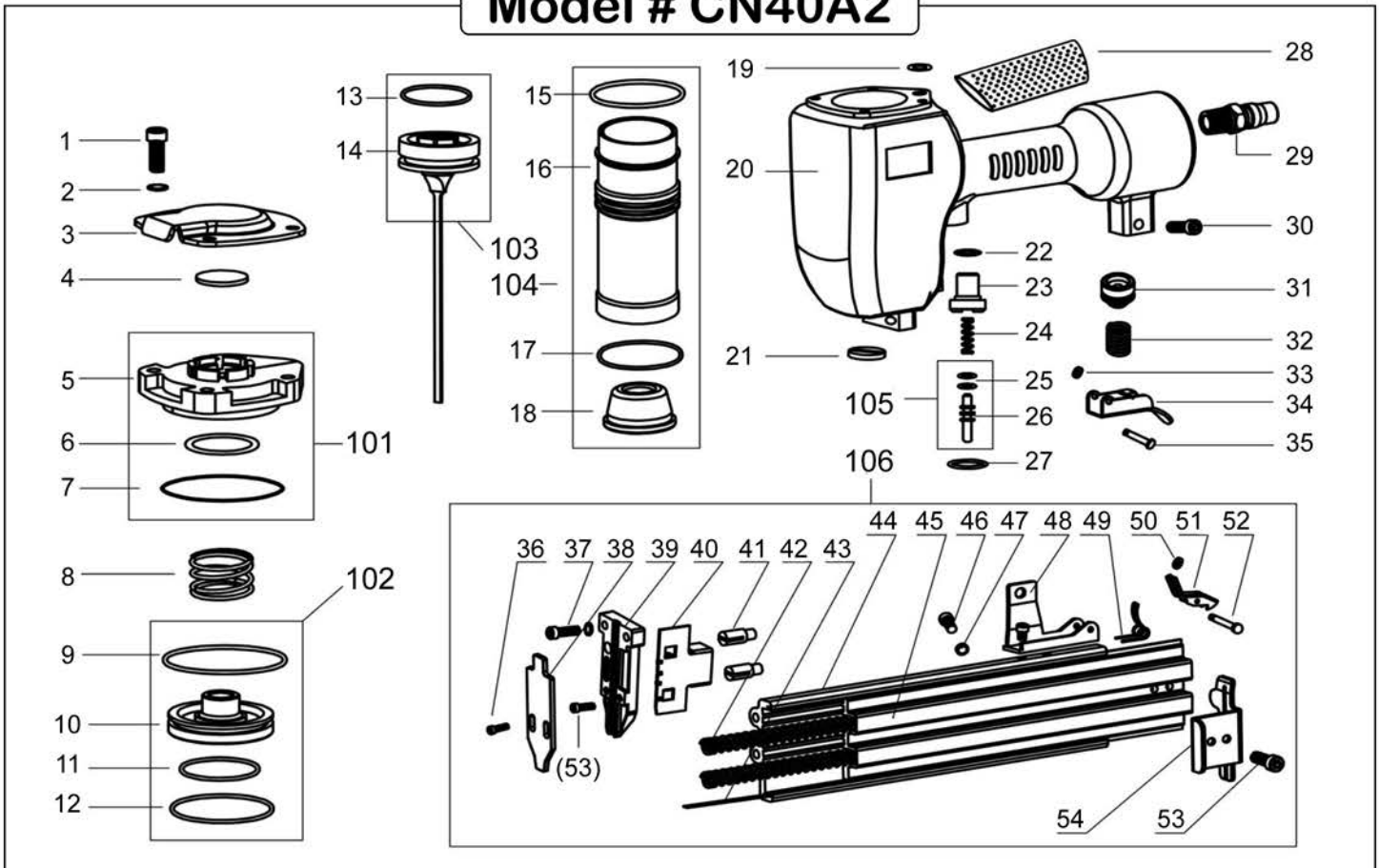


Model # CN40A2



No.	Description	No.	Description	No.	Description
1	Screw M5*25	22	O-Ring 8.75*1.8	43	Lower Magazine
2	Seal M5	23	Valve Head	44	Upper Magazine
3	Exhaust Cover	24	Spring	45	Screw M4*8
4	Upper Seal	25	O-Ring 2.5*1.4	46	Seal M4
5	Cylinder Cap	26	Valve Stem	47	Support Washer
6	O-Ring 15*2.5	27	O-Ring 11.2*1.9	48	Spring
7	O-Ring 48*1.1	28	Soft Grip Sleeve	49	Pin
8	Valve Spring	29	Air Plug	50	Lock Hook
9	O-Ring 40.2*2.5	30	Screw M5*12	51	Pin
10	Valve	31	Trigger Sleeve	52	Screw M4*14
11	O-Ring 25*3.55	32	Trigger Spring	53	Magazine Tail Cover
12	O-Ring 35*3.55	33	Pin	54	Cylinder Cap Set
13	O-Ring 48*1.1	34	Trigger		
14	Piston	35	Pin	101	Valve Set
15	O-Ring 38*2.5	36	Screw M4*12	102	Piston Assembly
16	Cylinder	37	Screw M5*25	103	Cylinder Set
17	O-Ring 38*2	38	Drive Guide Cover	104	Cylinder Set
18	Bumper	39	Driver Guide	105	Valve Stem Set
19	O-Ring 4*1.5	40	Driver Head	106	Magazine Assembly
20	Body	41	Spring Holder		
21	Lower Seal	42	Magazine Spring		