

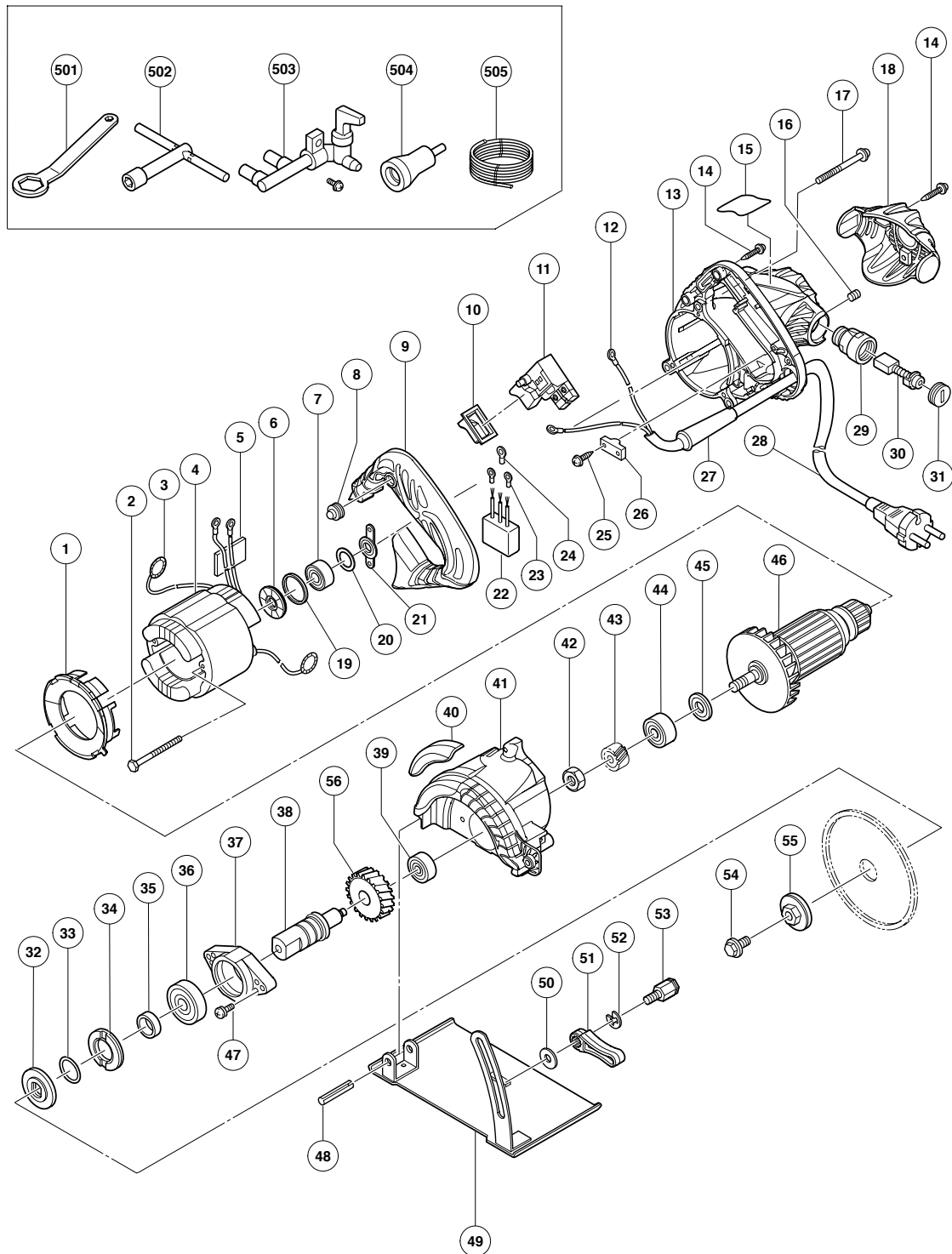
ELECTRIC TOOL PARTS LIST

■ CUTTER

2006 · 2 · 13

Model CM 4SB2

(E1)



PARTS

CM 4SB2

ITEM NO.	CODE NO.	DESCRIPTION	NO. USED	REMARKS
1	325-526	FAN GUIDE	1	
2	960-251	HEX. HD. TAPPING SCREW D5X65	2	
3	930-703	BRUSH TERMINAL	2	
* 4	340-651J	STATOR ASS'Y 110V	1	INCLUD. 3 FOR TPE
* 4	340-651C	STATOR ASS'Y 110V	1	INCLUD. 3
* 4	340-651D	STATOR ASS'Y 120V	1	INCLUD. 3
* 4	340-651E	STATOR ASS'Y 220V	1	INCLUD. 3
* 4	340-651G	STATOR ASS'Y 220V	1	INCLUD. 3 FOR CHN
* 4	340-651H	STATOR ASS'Y 230V	1	INCLUD. 3
* 4	340-651F	STATOR ASS'Y 230V-240V	1	INCLUD. 3 FOR KUW, SIN, IND
5	983-858	SEAL PACKING	1	
6	325-525	DUST SEAL	1	
7	608-VVM	BALL BEARING 608VVC2PS2L	1	
8	956-866	RUBBER COVER (B)	1	
* 9	325-534	HANDLE COVER ASS'Y	1	INCLUD. 8
* 9	325-535	HANDLE COVER	1	FOR NZL
10	325-527	SWITCH RUBBER COVER	1	
* 11	325-531	SWITCH (1P SCREW TYPE) W/LOCK	1	
* 11	325-532	SWITCH (1P SCREW TYPE) W/LOCK	1	FOR USA, CAN
* 11	325-533	SWITCH (1P SCREW TYPE) W/O LOCK	1	FOR NZL
12	980-063	TERMINAL	2	FOR CORD
13	325-516	HOUSING ASS'Y	1	INCLUD. 16, 29
14	302-086	TAPPING SCREW (W/FLANGE) D4X20 (BLACK)	5	
15		NAME PLATE	1	
16	938-477	HEX. SOCKET SET SCREW M5X8	2	
17	317-751	MACHINE SCREW (W/WASHERS) M5X25	3	
18	325-522	TAIL COVER	1	
19	325-524	RUBBER RING	1	
20	325-956	RUBBER WASHER	1	
21	325-523	BEARING BUSHING	1	
* 22	994-273	NOISE SUPPRESSOR	1	FOR NZL, CHN, TPE
* 23	980-063	TERMINAL	2	FOR NOISE SUPPRESSOR
* 24	938-108	TERMINAL	1	FOR NOISE SUPPRESSOR
25	984-750	TAPPING SCREW (W/FLANGE) D4X16	2	
26	960-266	CORD CLIP	1	
* 27	953-327	CORD ARMOR D8.8	1	
* 27	938-051	CORD ARMOR D10.1	1	
* 28	500-447Z	CORD	1	(CORD ARMOR D8.8)
* 28	500-234Z	CORD	1	(CORD ARMOR D8.8) FOR INA, IND
* 28	500-455Z	CORD	1	(CORD ARMOR D8.8) FOR THA
* 28	500-423Z	CORD	1	(CORD ARMOR D8.8) FOR KUW, SIN
* 28	500-241Z	CORD	1	(CORD ARMOR D8.8) FOR USA, CAN
* 28	500-474Z	CORD	1	(CORD ARMOR D10.1) FOR VEN, TPE
* 28	500-439Z	CORD	1	(CORD ARMOR D8.8) FOR NZL
* 28	500-409Z	CORD	1	(CORD ARMOR D8.8) FOR CHN
* 28	500-435Z	CORD	1	(CORD ARMOR D8.8) FOR HKG
29	958-900	BRUSH HOLDER	2	
30	999-043	CARBON BRUSH (1 PAIR)	2	
31	945-161	BRUSH CAP	2	
32	956-879	WASHER (B)	1	
33	944-486	O-RING (1AP-20)	1	

STANDARD ACCESSORIES

CM 4SB2

ITEM NO.	CODE NO.	DESCRIPTION	NO. USED	REMARKS	
501	941-057	WRENCH (HEX. SOCKET 10/19.2MM)	1		
502	940-543	BOX WRENCH 10MM	1		
* 503	303-648	WATER PLUG	1	EXCEPT FOR USA, CAN, CHN	
* 504	956-885	RUBBER CONNECTOR	1	EXCEPT FOR USA, CAN, CHN	
* 505	956-883	HOSE	1	EXCEPT FOR USA, CAN, CHN	

OPTIONAL ACCESSORIES

ITEM NO.	CODE NO.	DESCRIPTION	NO. USED	REMARKS	
601	321-192	DIAMOND WHEEL (SEGMENT) 106MM-D20 HOLE	1		
602	939-586	DIAMOND WHEEL (RIM) 100MM-D20 HOLE	1		
603	939-587	DIAMOND WHEEL (RIM) 110MM-D20 HOLE	1		