

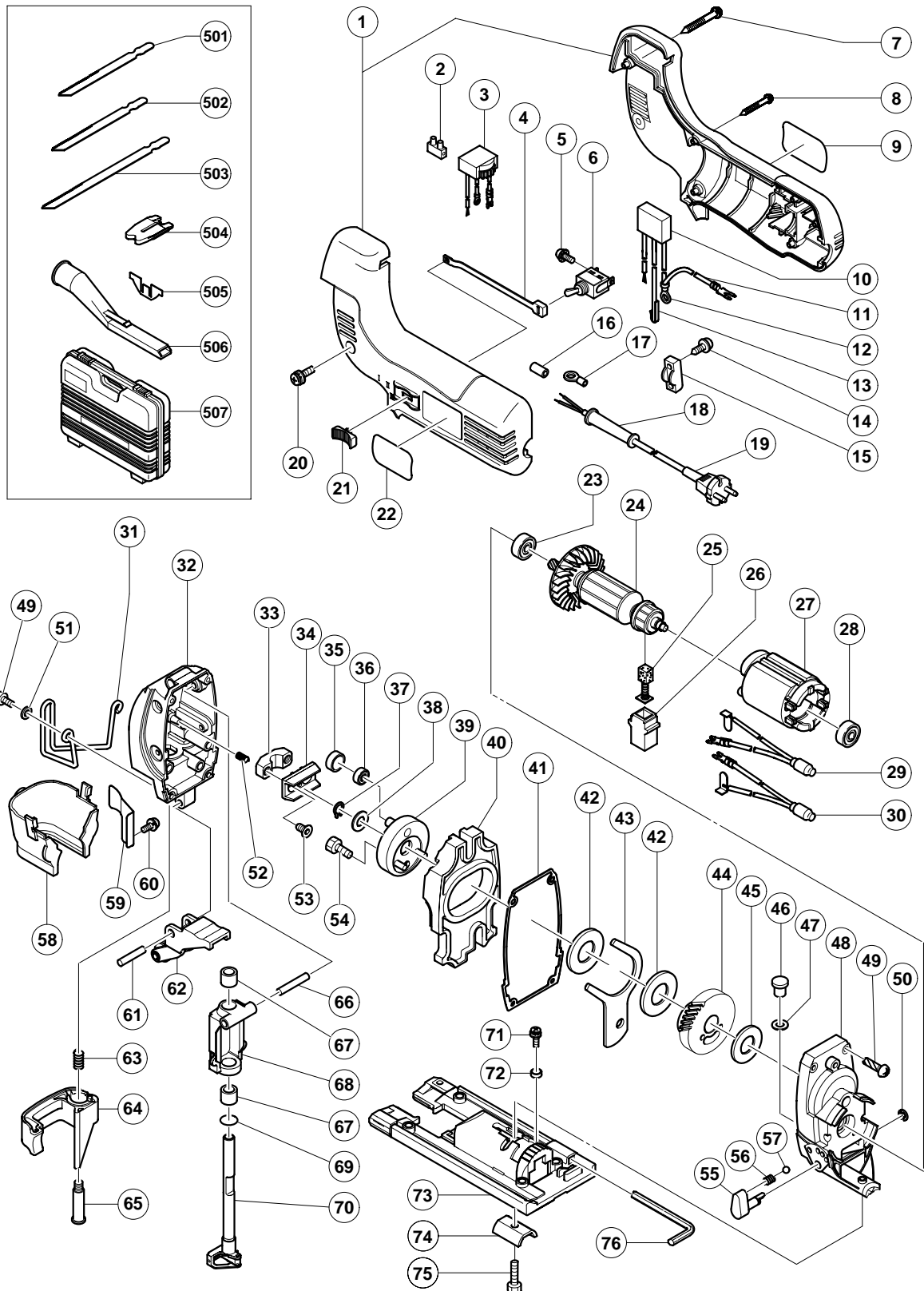
## ELECTRIC TOOL PARTS LIST

### JIG SAW

2002 • 11 • 30

### Model CJ 120VA

(E1)



**PARTS**

CJ 120VA

ITEM NO.	CODE NO.	DESCRIPTION	NO. USED	REMARKS
1	321-616	HOUSING (A).(B) SET	1	
2	938-307	PILLAR TERMINAL	1	
* 3	321-596	CONTROLLER CIRCUIT 110V	1	
* 3	321-684	CONTROLLER CIRCUIT 120V	1	
* 3	321-597	CONTROLLER CIRCUIT 230V-240V	1	
4	321-594	SLIDE BAR	1	
5	305-499	MACHINE SCREW (W/WASHER) M3.5X 6	1	
6	955-509	SWITCH (1P SCREW TYPE)	1	
7	305-490	TAPPING SCREW (W/FLANGE) D4X30 (BLACK)	1	
8	301-653	TAPPING SCREW (W/FLANGE) D4X20 (BLACK)	5	
* 9		NAME PLATE	1	
10	994-273	NOISE SUPPRESSOR	1	
11	321-610	INTERNAL WIRE	1	
12	311-741	TERMINAL	1	
13	302-488	EARTH TERMINAL	1	
14	984-750	TAPPING SCREW (W/FLANGE) D4X16	2	
15	960-266	CORD CLIP	1	
* 16	981-373	TUBE (D)	1	FOR CORD
17	980-063	TERMINAL	1	
18	953-327	CORD ARMOR D8.8	1	
* 19	500-247Z	CORD	1	(CORD ARMOR D8.8)
* 19	500-423Z	CORD	1	(CORD ARMOR D8.8) FOR SIN
* 19	500-234Z	CORD	1	(CORD ARMOR D8.8) FOR NZL, SAF, EUROPE
* 19	500-439Z	CORD	1	(CORD ARMOR D8.8) FOR AUS
* 19	500-450Z	CORD	1	(CORD ARMOR D8.8) FOR GBR (230V)
* 19	500-237Z	CORD	1	(CORD ARMOR D8.8) FOR GBR (110V)
* 19	500-447Z	CORD	1	(CORD ARMOR D8.8) FOR SUI
* 19	500-240Z	CORD	1	(CORD ARMOR D8.8) FOR USA, CAN
20	321-577	SEAL LOCK SCREW (W/WASHER) M4X10	2	
21	321-595	SLIDE KNOB	1	
22		HITACHI LABEL	1	
23	608-DDW	BALL BEARING 608DDW	1	
* 24	360-593U	ARMATURE ASS'Y 110V-120V	1	INCLUD. 23, 28
* 24	360-593E	ARMATURE 230V	1	
* 24	360-593F	ARMATURE 240V	1	
25	999-041	CARBON BRUSH (1 PAIR)	2	
26	955-203	BRUSH HOLDER	2	
* 27	340-545C	STATOR 110V-120V	1	
* 27	340-545E	STATOR 230V-240V	1	
28	608-DDM	BALL BEARING 608DDC2PS2L	1	
29	321-599	CHOKE COIL	1	
30	321-598	CHOKE COIL	1	
31	321-582	GUARD BAR	1	
32	321-584	UPPER COVER	1	
33	321-572	CONNECTOR HOLDER	1	
34	321-570	CONNECTOR	1	
35	321-569	CONNECTING PIECE	1	
36	940-917	NEEDLE BEARING NTN K6X9X8T2	1	
37	940-079	RETAINING RING FOR D8 SHAFT	1	
38	963-351	WASHER (B)	1	
39	305-742	WEIGHT HOLDER	1	

**PARTS**

<b>ITEM NO.</b>	<b>CODE NO.</b>	<b>DESCRIPTION</b>	<b>NO. USED</b>	<b>REMARKS</b>	
40	321-565	BALANCE WEIGHT	1		
41	321-564	PACKING	1		
42	963-349	WASHER (A)	2		
43	305-738	ORBITAL CAM	1		
44	321-563	GEAR	1		
45	957-540	WASHER (A)	1		
46	305-739	ORBITAL PIN	1		
47	305-740	FELT	1		
48	321-562	GEAR COVER	1		
49	949-217	MACHINE SCREW M4X12 (10 PCS.)	4		
50	673-489	RETAINING RING (E-TYPE) FOR D5 SHAFT	1		
51	949-423	WASHER M4 (10 PCS.)	2		
52	305-752	SPRING	2		
53	321-566	SEAL LOCK FLAT HD. SCREW M5X10	2		
54	305-755	HEX. SOCKET HD. BOLT (W/FLANGE) M5X12	1		
55	321-578	CHANGE KNOB	1		
56	982-454	SPRING (C)	1		
57	959-155	STEEL BALL D3.97 (10 PCS.)	1		
58	321-583	CHIP COVER	1		
59	321-592	FENCE	1		
60	958-523	MACHINE SCREW (W/SP. WASHER) M4X8	1		
61	305-592	NEEDLE D5X19.8	1		
62	321-574	ROLLER HOLDER	1		
63	321-580	LEVER SPRING	1		
64	321-581	LEVER	1		
65	321-579	LEVER BOLT	1		
66	321-568	PIN D6	1		
67	941-625	METAL (C)	2		
68	321-571	PLUNGER HOLDER ASS'Y	1	INCLUD. 67, 69	
69	873-095	O-RING (P-16)	1		
70	321-567	PLUNGER	1		
71	315-500	MACHINE SCREW (W/WASHER) M4X8 (BLACK)	1		
72	321-576	RUBBER BUSHING	1		
73	321-573	BASE	1		
74	321-575	BASE LOCKER	1		
75	949-665	HEX. SOCKET HD. BOLT M5X14 (10 PCS.)	1		
76	944-458	HEX. BAR WRENCH 4MM	1		

**STANDARD ACCESSORIES**

CJ 120VA

ITEM NO.	CODE NO.	DESCRIPTION	NO. USED	REMARKS
501		BLADES NO. 123X	1	
502		BLADES NO. 41	1	
503		BLADES NO. 42	1	
504	321-590	TABLE INSERT	1	
505	321-586	SHUTTER	1	
506	321-591	DUST COLLECTOR	1	
507	317-262	CASE	1	

**OPTIONAL ACCESSORIES**

ITEM NO.	CODE NO.	DESCRIPTION	NO. USED	REMARKS
601	963-390	JIG SAW BLADES (A) NO. 11 (10 PCS.)	1	
602	963-392	JIG SAW BLADES (A) NO. 15 (10 PCS.)	1	
603	963-394	JIG SAW BLADES (A) NO. 21 (10 PCS.)	1	
604	963-395	JIG SAW BLADES (A) NO. 22 (10 PCS.)	1	
605	963-400	JIG SAW BLADES NO.97 FOR STAINLESS (5PCS)	1	
606	879-336	JIG SAW BLADES NO. 11 (5 PCS.)	1	
607	879-337	JIG SAW BLADES NO. 12 (5 PCS.)	1	
608	879-338	JIG SAW BLADES NO. 15 (5 PCS.)	1	
609	879-339	JIG SAW BLADES NO. 16 (5 PCS.)	1	
610	879-340	JIG SAW BLADES NO. 21 (5 PCS.)	1	
611	879-341	JIG SAW BLADES NO. 22 (5 PCS.)	1	
612	321-593	GUIDE	1	