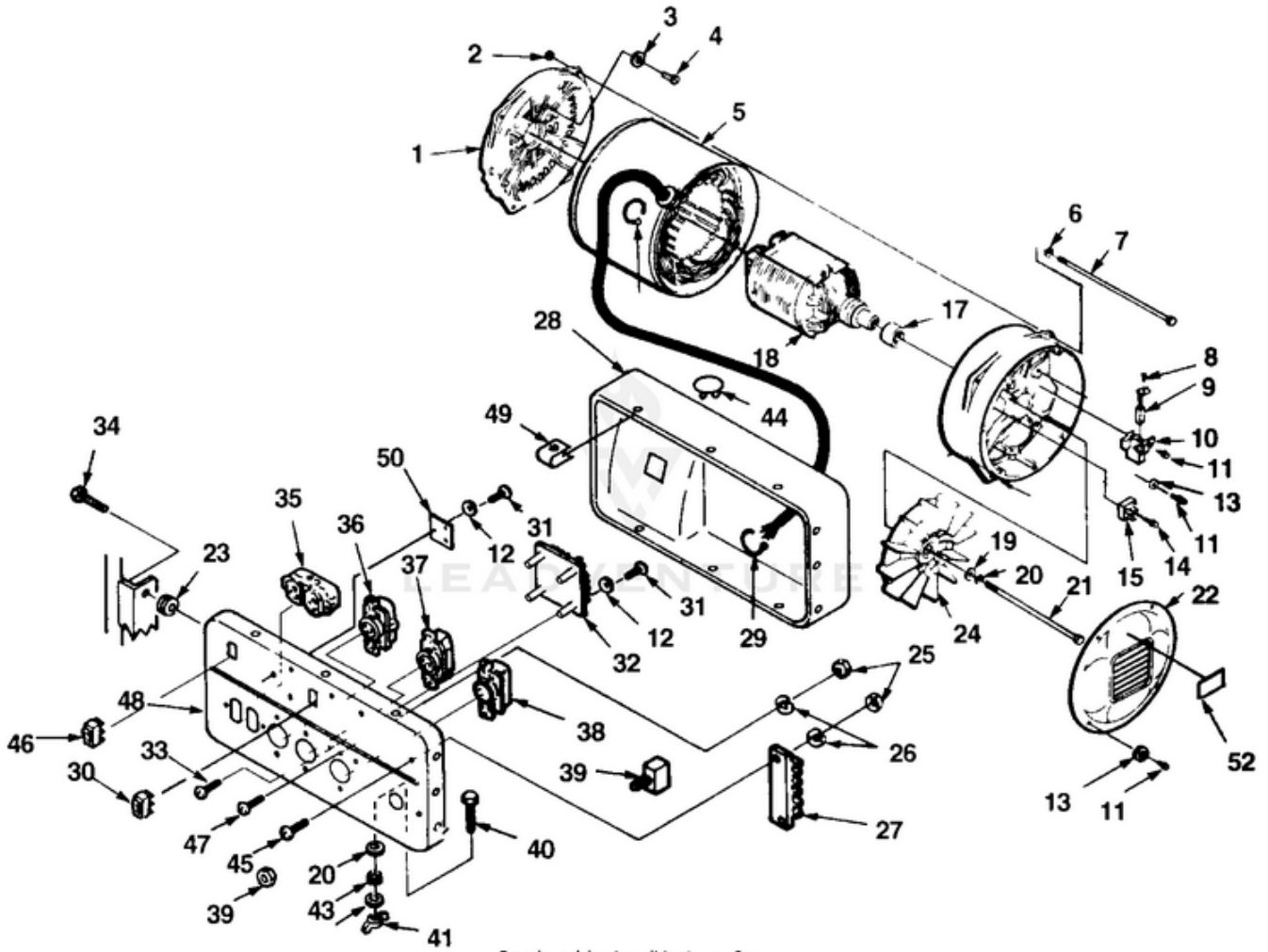


CG4800 Generator UT-03762-B - Brush Head -Generator

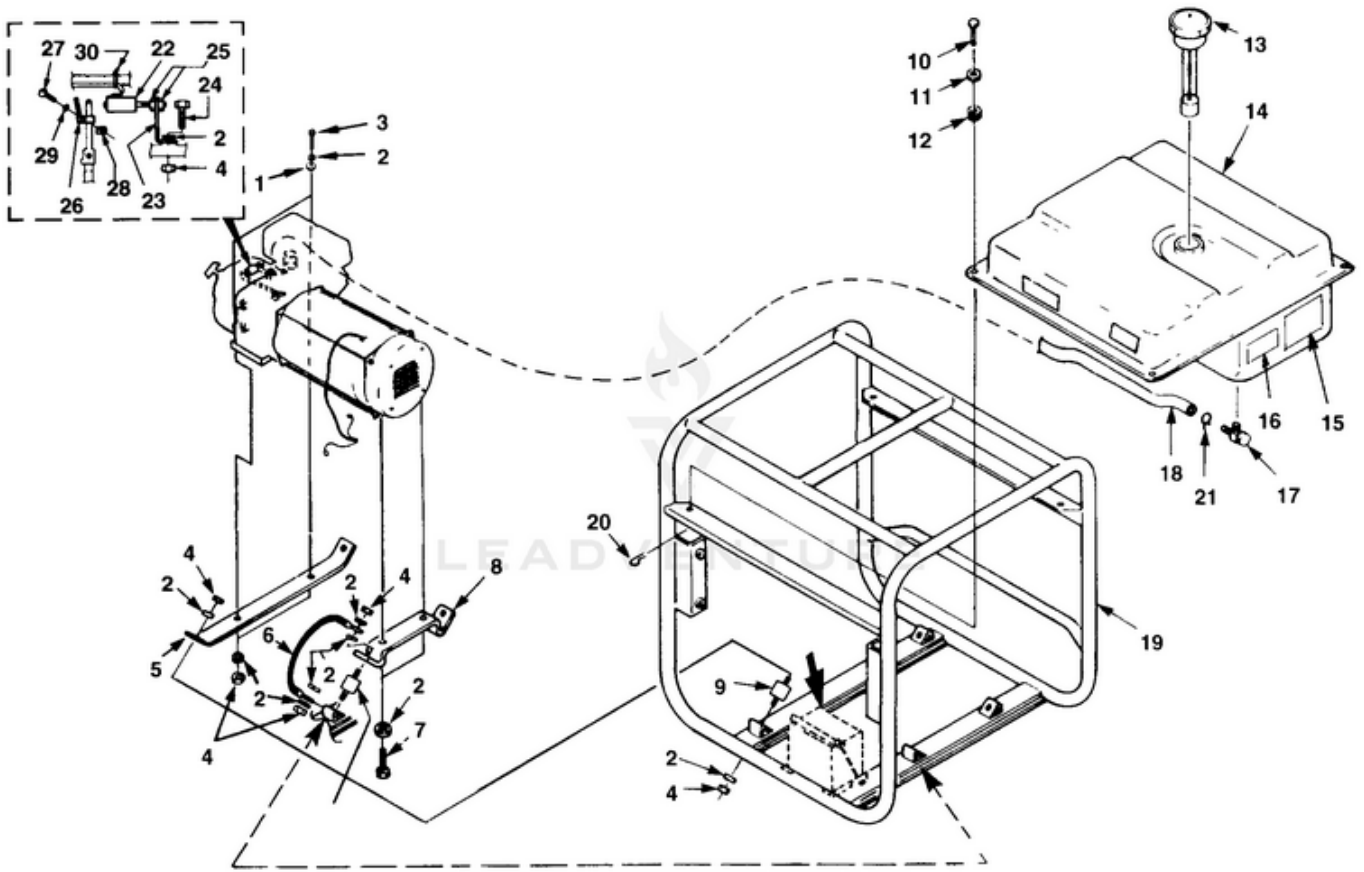


Rendered by LeadVenture, Inc.

| Ref # | Part # | Description | Qty | Context Note |
|-------|---------|------------------------------------|---------|--|
| 1 | 5375226 | END BELL | 1 | |
| 2 | 81053 | NUT-Hex (1/4-20) | 4 | |
| 3 | 83117 | WASHER-Lock | 4 | |
| 4 | PS80187 | SCREW-Hex Hd (3/8-16 X 7/8") | 4 | Torque Specs: 240-250 In/Lbs, 27.1-28.2, Required Loctite Red 277 Nm |
| 5 | A49330S | STATOR SHELL | 1 | |
| 6 | 83070 | WASHER-Lock/Int (1/4") | 4 | |
| 7 | 4885304 | BOLT-Stator | 4 | |
| 8 | 80260 | SCREW-Mach Pan Hd (8-32 X 3/8") | 2 | Torque Specs: 5-7 In/Lbs, .6-.8 Nm |
| 9 | 53762 | BRUSH | 2 | |
| 10 | 53760 | BRUSH HOLDER | 1 | |
| 11 | 82474 | SCREW-Thread Rolling (8-32 X 1/2") | 7 | Torque Specs: 18-22 In/Lbs, 2.0-2.5 Nm |
| 12 | 84025 | WASHER-Flat (#8) | 7 | |
| 13 | 83022 | WASHER-Lock (#8) | 5 | |
| 14 | 82205 | SCREW-Hex Tap (8-32 X 3/4") | 1 | Torque Specs: 18-22 In/Lbs, 2.0-2.5 Nm |
| 15 | 53818A | RECTIFIER | 1 | |
| 16 | 491844 | BRUSH HEAD | 1 | |
| 17 | 53819 | BEARING | 1 | |
| 18 | A49095S | ROTOR | 1 | |
| 19 | 84058 | WASHER-Flat (5/16) | 1 | |
| 20 | 83002 | WASHER-Lock (5/16) | 2 | |
| 21 | 4885209 | BOLT-Rotor | 1 | |
| 22 | 513941A | BRUSH HEAD COVER | 1 | |
| 23 | 49351 | GROMMET | 4 | |
| 24 | A53769 | FAN | 1 | |
| 25 | 81009 | NUT-Hex (8-32) | 10 | |
| 26 | 83060 | WASHER-Lock (#8) | 10 | |
| 27 | 42366 | BLOCK-Terminal | 1 | |
| 28 | A49271 | PANEL-Cover | 1 | |
| 29 | PS46840 | CABLE TIE | A/ R | |
| 30 | 49569 | SWITCH (DPDT) | 1 | |
| 31 | 80577 | SCREW-Pan Hd (#8-32 X 1/2") | 7 | Torque Specs: 8-10 In/Lbs, 1.4-1.6 Nm |
| 32 | A06289 | VOLTAGE REGULATOR | 1 | |
| 33 | 82596 | SCREW-Plastite (8-16 x 1") | 4 | Torque Specs: 12-14 In/Lbs, 1.4-1.6 Nm |
| 34 | 49748 | SCREW-Shoulder | 4 | |
| 35 | A08633 | RECEPTACLE, GFCI (Nema 5-15R) | 1 | |
| 36 | 48978 | RECEPTACLE-Locking (Nema L5-20R) | 1 | |
| 37 | 42601 | RECEPTACLE-Locking (Nema L5-30R) | 1 | |
| 38 | 46508 | RECEPTACLE-Locking (Nema L14-20R) | 1 | |
| 39 | 48952 | CIRCUIT BREAKER-2 5 Amp | 1 | |

| Ref # | Part # | Description | Qty | Context Note |
|-------|---------|---------------------------------|-----|--|
| 40 | 82598 | SCREW-Hex Hd (5/16-18 X 1") | 1 | |
| 41 | 81015 | NUT-Wing (5/16-18) | 1 | Torque Specs: Hand Tight |
| 42 | 83081 | WASHER-Lock (5/16) | 1 | |
| 43 | 81018 | NUT-Hex (5/16-18) | 1 | |
| 44 | 49368 | CLAMP-Cable | 1 | |
| 45 | 80582 | SCREW-Pan Hd (8/32 X 5/8") | 2 | Torque Specs: 12-14 In/Lbs, 1.4-1.6 Nm |
| 46 | 49299 | SWITCH-Rocker | 1 | |
| 47 | 80577 | SCREW-Machine Pan (8-32 X 3/8") | 23 | Torque Specs: 12-14 In/Lbs, 1.4-1.6 Nm |
| 48 | A02208 | CONTROL PANEL | 1 | |
| 49 | 02191 | DECAL-Schematic | 1 | |
| 50 | A01865A | IDLE CONTROL | 1 | |
| 51 | 81227 | NUT-Speed | 8 | |
| 52 | 49613 | DECAL-Warning | 1 | |
| | 09181 | CIRCUIT BREAKER (15 AMP) | 1 | |
| | 09183 | CIRCUIT BREAKER (20 AMP) | 2 | |
| | 06692A | CIRCUIT BREAKER (30 AMP) | 1 | |

CG4800 Generator UT-03762-B - Roll Cage - Fuel Tank



Rendered by LeadVenture, Inc.

| Ref # | Part # | Description | Qty | Context Note |
|-------|----------|------------------------------------|-----|--|
| 1 | 84046 | WASHER-Flat (5/16) | 1 | |
| 2 | 83081 | WASHER-Lock/Int. | 16 | |
| 3 | 80288 | SCREW-Cap Hex Hd. | 2 | Torque Specs: 145-155 In/Lbs, 16.4-17.5 Nm |
| 4 | 81162 | NUT-Hex (5/16-18) | 10 | Torque Specs: 145-155 In/Lbs, 16.4-17.5 Nm |
| 5 | PS49265 | SUPPORT-Engine | 1 | |
| 6 | A49399 | GROUND-Strap | 1 | |
| 7 | 82206 | SCREW-Thread Form (5/16-18 X 1") | 2 | Torque Specs: 220-250 In/Lbs, 24.9-28.2 Nm |
| 8 | 48944 | SUPPORT-Generator | 1 | |
| 9 | PS49367 | ISOLATOR-Vibration | 4 | |
| 10 | 49329 | PIN-Clevis | 4 | |
| 11 | 84006 | WASHER-Flat | 4 | |
| 12 | 49351 | GROMMET-Isolator | 4 | |
| 13 | 49179 | CAP-Fuel | 1 | |
| 14 | 021101 | TANK-Fuel | 1 | |
| 15 | 49598 | DECAL-Caution | 1 | |
| 16 | 49340A | DECAL-Fuel Valve | 1 | |
| 17 | 02192 | VALVE-Fuel | 1 | |
| 18 | 0216002 | FUEL-Line | 1 | |
| 19 | A040601 | ROLL CAGE | 1 | |
| 20 | 49412 | PIN-Cotter Hair | 4 | |
| 21 | 02181 | HOSE-Clip | 2 | |
| 22 | A02233 | ELECTROMAGNET | 1 | |
| 23 | 02174 | BRACKET-Magnet, 8HP | 1 | |
| 24 | 82598 | SCREW-Cap Hex Hd (5/16-18 X 1") | 1 | |
| 25 | 810652 | NUT-Hex | 2 | Torque Specs: 25 In/Lbs, 2.8 Nm |
| 26 | 02172 | PADDLE-8HP & 11HP | 1 | |
| 27 | 80577 | SCREW-Machine Pan Hd (8-32 X 3/8") | 1 | Torque Specs: 10-15 In/Lbs, 1.1-1.7 Nm |
| 28 | 81227 | NUT-Speed | 1 | |
| 29 | 83022 | WASHER-Lock/Int | 1 | |
| 30 | JA994274 | TIE-Cable | 2 | |

