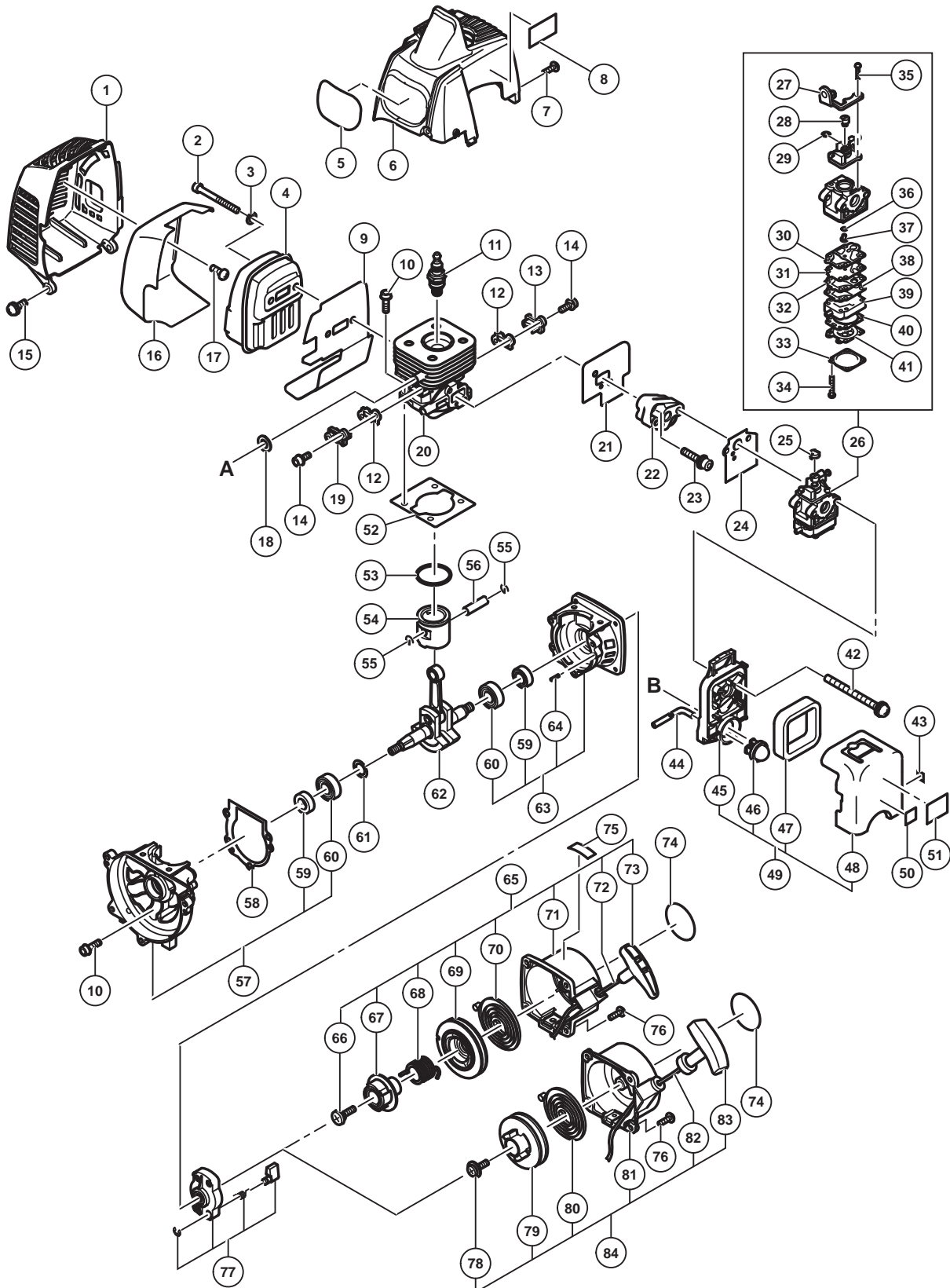
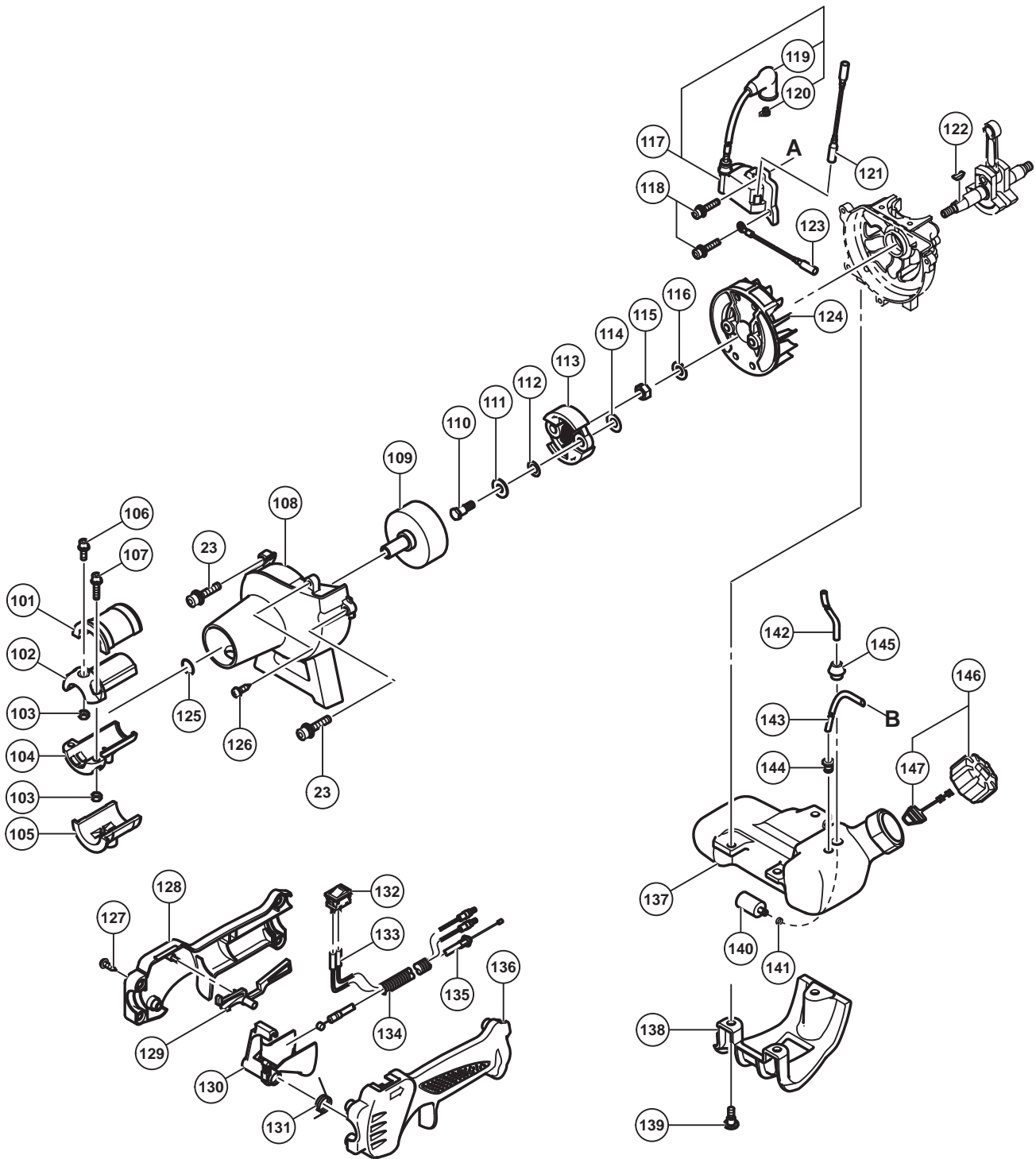


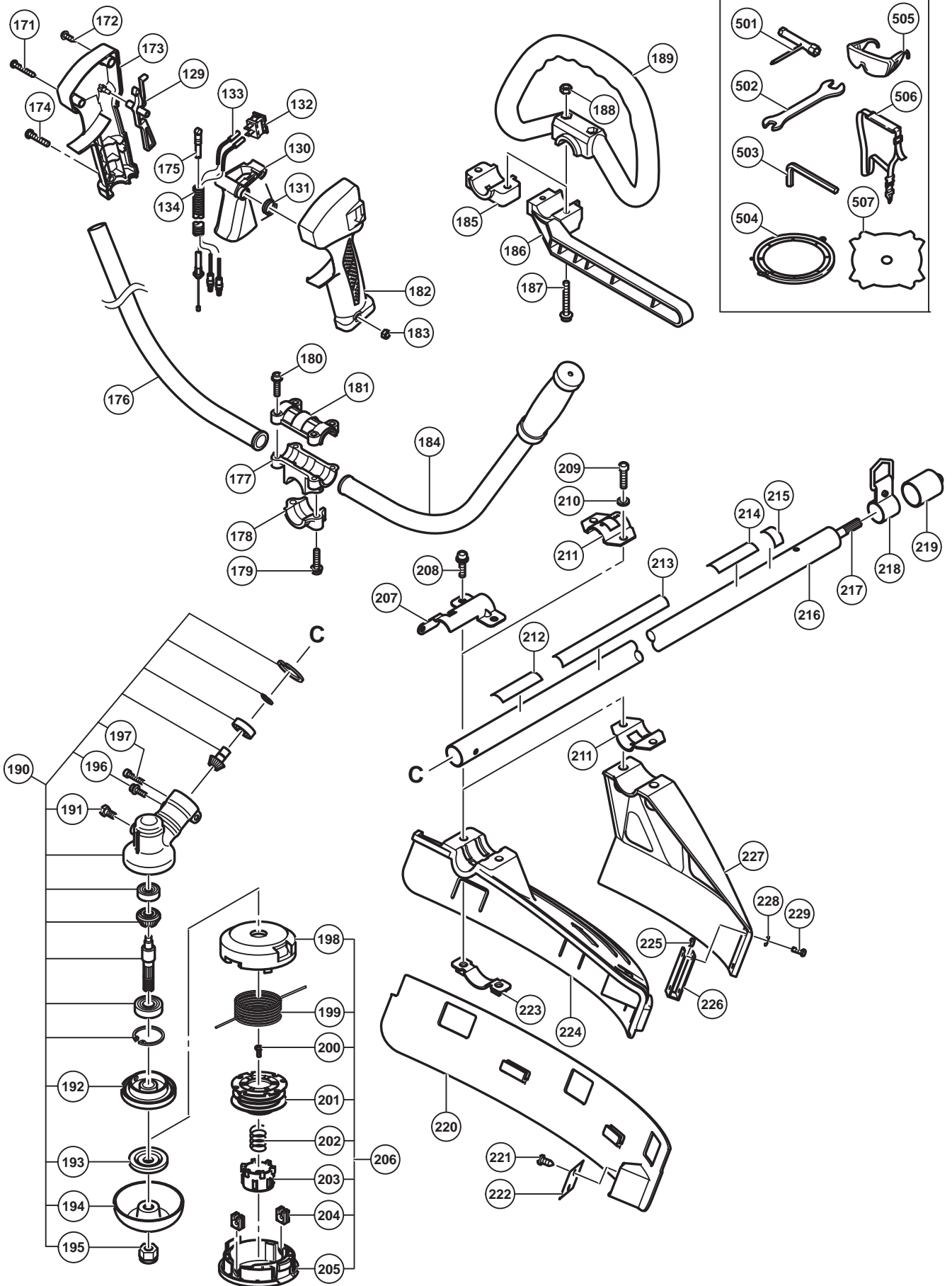
ENGINE TOOL PARTS LIST

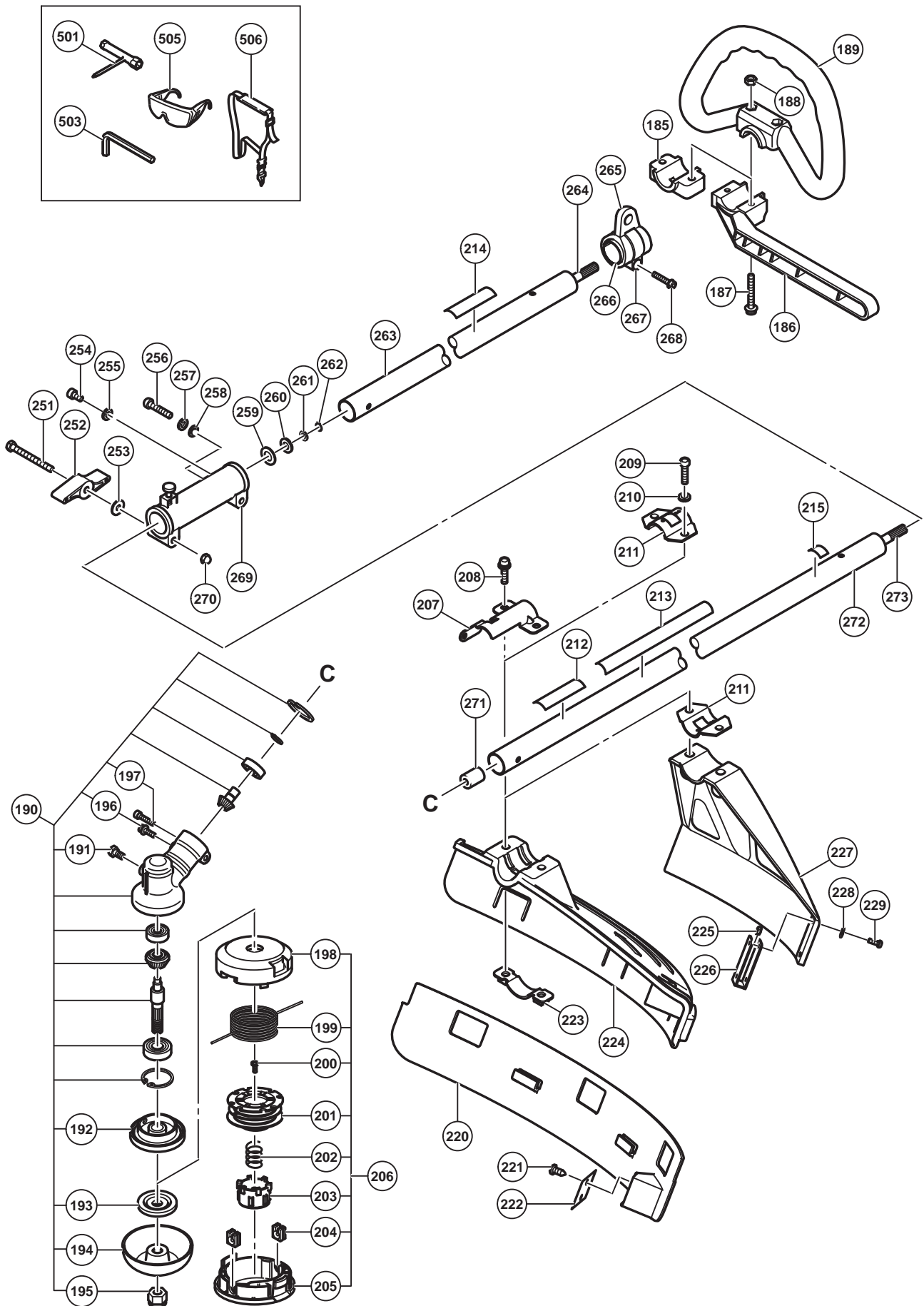
ENGINE GRASS TRIMMER
Model CG 22EAP2

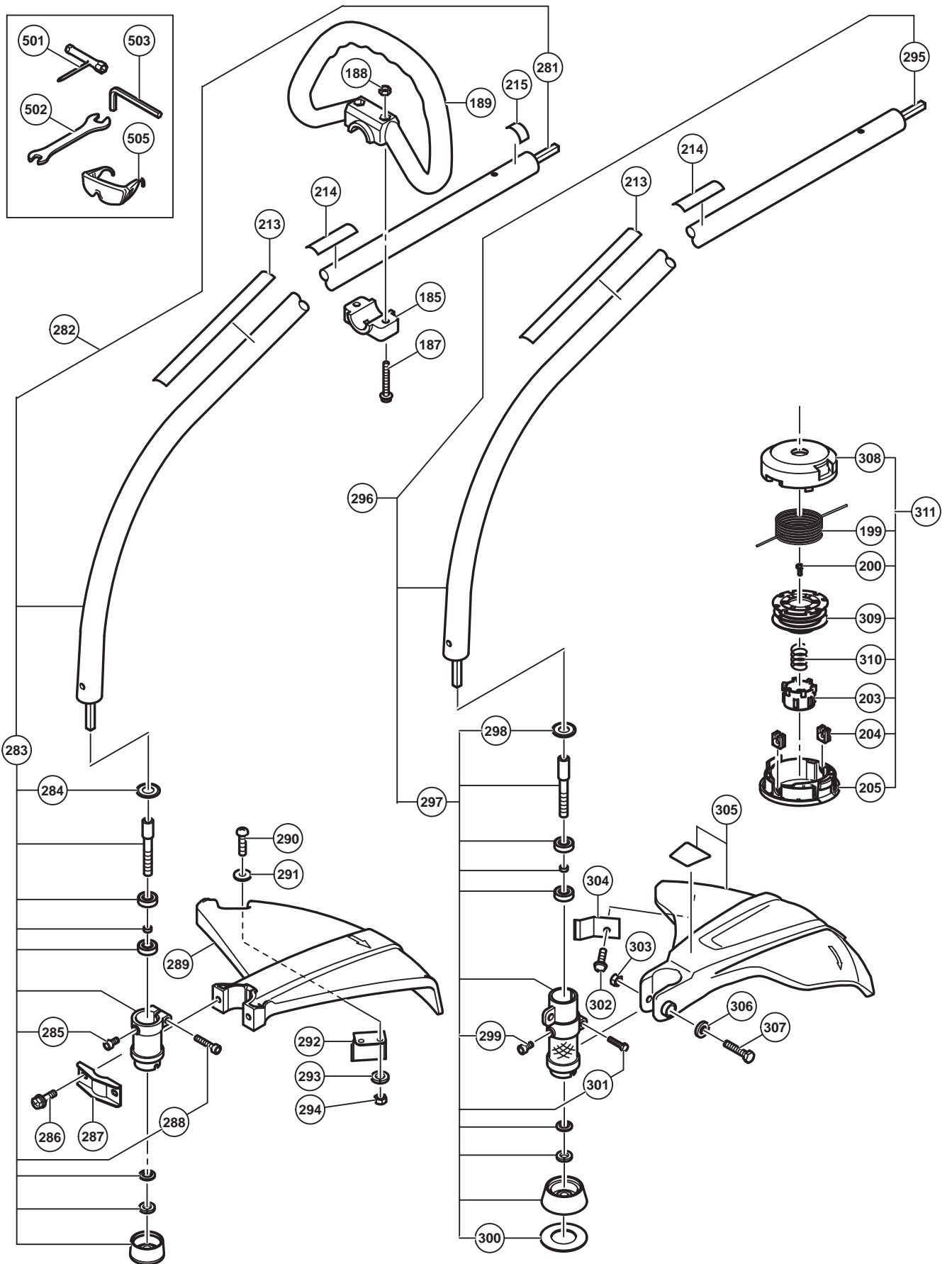
2015-2-10
(E1)











PARTS

CG 22EAP2

ITEM NO.	CODE NO.	DESCRIPTION	NO. USED	REMARKS
1	6600423	MUFFLER PROTECTOR	1	
2	6696819	HEX. SOCKET HD. BOLT M6 X 55	2	
3	949432	BOLT WASHER M6 (10 PCS.)	2	
4	6696554	MUFFLER	1	
5		HITACHI LABEL	1	
*	6	6600424	CYLINDER COVER	1
*	6	6600425	CYLINDER COVER	1 FOR USA
7	307606	MACHINE SCREW (W/WASHERS) M4 X 20 (BLACK)	2	
8		CAUTION LABEL	1	
9	6600320	HEAT PROTECTION PANEL	1	
10	6698386	HEX. SOCKET HD. BOLT (W/SP.WASHER) M5 X 18	8	
*	11	6699316	SPARK PLUG ASS'Y BMR7A	1
*	11	6699322	SPARK PLUG ASS'Y CJ6	1 FOR USA
12	6696534	COVER PACKING	2	
13	6696535	INTAKE COVER (A)	1	
14	6698385	HEX. SOCKET HD. BOLT M4 X 12	4	
15	887021	SCREW (W/WASHERS) M5 X 16 (BLACK)	2	
16	6600340	MUFFER HEAT COVER	1	
17	6600325	TAPPING SCREW D4 X 10	2	
18	6698700	GLASS WASHER	2	
19	6696536	INTAKE COVER (B)	1	
20	6696527	CYLINDER	1	
21	6696548	INTAKE PACKING	1	
22	6698387	CARBURETOR INSULATOR	1	
23	6698844	SEAL LOCK HEX. SOCKET BOLT (W/WASHERS) M5	5	
24	6698405	CARBURETOR PACKING	1	
25	6691337	SWIVEL CAP	1	
26	6696550	CARBURETOR ASS'Y WYC-22	1	INCLUD.27-41
27	6699287	CABLE ADJUST STAY	1	
28	6696830	SWIVEL	1	
29	6684696	STOP RING	1	
30	6684692	PUMP GASKET	1	
31	6684693	PUMP DIAPHRAGM	1	
32	6691242	PUMP PLATE	1	
33	6685222	DIAPHRAGM COVER-METERING	1	
34	6691312	SET SCREW	4	
35	6696829	SET SCREW M3 X 12	2	
36	6684695	O-RING	1	
37	6697947	MAIN JET	1	
38	6691234	CIRCUIT PLATE	1	
39	6696828	PUMP BODY COMP.	1	
40	6685220	DIAPHRAGM PACKING-METERING	1	
41	6684690	METERING DIAPHRAGM	1	
42	307224	MACHINE SCREW (W/WASHERS) M5 X 60 (BLACK)	2	
*	43	6600327	MARK PLATE (T)	1 EXCEPT FOR USA
44	6699014	FUEL PIPE L70	1	
45	6696832	AIR CLEANER HOUSING	1	
46	6685139	PRIMING PUMP COMP.	1	
47	6690347	CLEANER ELEMENT	1	
48	6696831	AIR CLEANER COVER	1	

PARTS

CG 22EAP2

ITEM NO.	CODE NO.	DESCRIPTION	NO. USED	REMARKS
49	6696549	AIR CLEANER ASS'Y	1	INCLUD.45-48
* 50	6699000	PRIMER LABEL	1	EXCEPT FOR USA
* 51	002093	START LABEL (A)	1	FOR USA
52	6696530	CYLINDER PACKING	1	
53	6696532	PISTON RING	1	
54	6696531	PISTON	1	
55	6684590	CIR CLIP	2	
56	6696944	PISTON PIN	1	
57	6696538	CRANK CASE (B) COMP	1	INCLUD.59,60
58	6696539	CRANK CASE PACKING	1	
59	6684607	OIL SEAL TB 12227	2	
60	6684608	BALL BEARING 6001 C3	2	
61	6696946	SHIM T0.2	1	
61	6696945	SHIM T0.3	1	
62	6696533	CRANK SHAFT COMP.	1	
63	6696537	CRANK CASE (A) ASS'Y	1	INCLUD.59,60,64
64	6696947	KNOCK PIN 4 X 12	2	
* 65	6699995	RECOIL STARTER BODY ASS'Y	1	INCLUD.66-73 EXCEPT FOR EUROPE (LB), NOR (LB)
* 66	6684679	SET SCREW	1	EXCEPT FOR EUROPE (LB),NOR (LB)
* 67	6699996	CAM PLATE	1	EXCEPT FOR EUROPE (LB),NOR (LB)
* 68	6684677	DAMPER SPRING	1	EXCEPT FOR EUROPE (LB),NOR (LB)
* 69	6699997	STARTER ROPE REEL	1	EXCEPT FOR EUROPE (LB),NOR (LB)
* 70	6684675	RECOIL SPRING	1	EXCEPT FOR EUROPE (LB),NOR (LB)
* 71	6684673	RECOIL STARTER BODY COMP.	1	EXCEPT FOR EUROPE (LB),NOR (LB)
* 72	6684674	STARTER ROPE 3.5 X 860	1	EXCEPT FOR EUROPE (LB),NOR (LB)
* 73	6684680	STARTER HANDLE	1	EXCEPT FOR EUROPE (LB),NOR (LB)
74		NAME PLATE	1	
* 75	6698921	TANK MARK LABEL (50:1)	1	FOR GBR (SL)
76	6698398	SCREW (W/WASHERS) M4 X 16	2	
* 77	6684681	STARTER PULLEY ASS'Y	1	
* 77	6696471	STARTER PULLEY ASS'Y	1	FOR EUROPE (LB),NOR (LB)
* 78	6693633	SET SCREW	1	FOR EUROPE (LB),NOR (LB)
* 79		RELL	1	FOR EUROPE (LB),NOR (LB)
* 80	6684675	RECOIL SPRING	1	FOR EUROPE (LB),NOR (LB)
* 81		STARTER CASE	1	FOR EUROPE (LB),NOR (LB)
* 82	6693168	ROPE	1	FOR EUROPE (LB),NOR (LB)
* 83	6693227	STARTER HANDLE	1	FOR EUROPE (LB),NOR (LB)
* 84	6696572	RECOIL STARTER BODY ASS'Y	1	INCLUD.78-83 FOR EUROPE (LB),NOR (LB)
101	6696963	ANTI VIBE RUBBER (A)	1	
* 102	6696542	PIPE HOLDER (A)	1	
* 102	6698643	PIPE HOLDER (A)	1	FOR GBR (SL),EUROPE (S)
* 103	302012	NUT M5 (BLACK)	3	EXCEPT FOR GBR (SL),EUROPE (S)
* 104	6696543	PIPE HOLDER (B)	1	
* 104	6698644	PIPE HOLDER (B)	1	FOR GBR (SL),EUROPE (S)
105	6696964	ANTI VIBE RUBBER (B)	1	
106	6699176	HEX. SOCKET HD. BOLT (W/SP.WASHER) M5 X 12	1	
107	6695492	HEX. HOLE BOLT 5 X 22/S	2	
* 108	6699159	FAN CASE (VERMILION)	1	
* 108	6699160	FAN CASE (LIGHT GREEN)	1	FOR USA

PARTS

CG 22EAP2

ITEM NO.	CODE NO.	DESCRIPTION	NO. USED	REMARKS
* 109	6699199	CLUTCH SHAFT	1	
* 109	6698790	CLUTCH SHAFT	1	FOR NOR,EUROPE (LB),USA (SLB)
110	6696469	STEP BOLT	2	
111	6684648	BENT WASHER 8	2	
112	6696546	CLUTCH PLATE (A)	2	
113	6696948	CLUTCH	1	
114	6696547	CLUTCH WASHER (B)	2	
115	6685337	FLYWHEEL NUT	1	
116	323212	BOLT WASHER M8 (BLACK)	1	
117	6699464	IGNITION COIL ASS'Y	1	INCLUD.119,120
118	6698388	HEX. SOCKET HD. BOLT (W/WASHERS) M4 X 18	2	
119	6699932	PLUG CAP	1	
120	6699186	PLUG CAP METAL	1	
121	6696544	CORD	1	
122	6684899	WOODRUFF KEY 3 X 13 X 4.5	1	
123	6696545	EARTH CORD	1	
124	6699289	MAGNETO ROTOR ASS'Y	1	
* 125	939542	RETAINING RING FOR D12 SHAFT (10 PCS.)	1	EXCEPT FOR EUROPE (LB),NOR (LB),USA(SLB)
126	6698878	TAPPING SCREW D4.5 X 16	1	
* 127	305812	TAPPING SCREW (W/FLANGE) D4 X 16 (BLACK)	1	EXCEPT FOR EUROPE (S)
* 128	6696942	HANDLE (B)	1	FOR USA
* 128	6696487	HANDLE (B)	1	EXCEPT FOR USA,EUROPE (S)
* 129	6696490	LOCK LEVER	1	EXCEPT FOR USA
130	6696488	LEVER	1	
131	6696489	SPRING (A)	1	
132	6696940	STOP SWITCH	1	
* 133	6696491	STOP SWITCH CORD	2	
* 133	6696592	STOP SWITCH CORD	2	FOR EUROPE (S)
* 134	6696967	PROTECTION TUBE	1	
* 134	6696594	PROTECTION TUBE	1	FOR EUROPE (S)
* 135	6696560	THROTTLE WIRE COMP.	1	EXCEPT FOR EUROPE (S)
* 136	6696941	HANDLE (A)	1	FOR USA
* 136	6696486	HANDLE (A)	1	EXCEPT FOR USA,EUROPE (S)
* 137	6696569	TANK	1	
* 137	6696552	TANK	1	FOR USA
* 138	6696556	STAND	1	FOR USA,EUROPE (LB),NOR (LB)
* 139	6696574	BOLT (W/FLANGE) L17.8	3	
* 139	6696557	FLANGE BOLT	3	FOR USA,EUROPE (LB),NOR (LB)
140	6600351	PUMP FILTER	1	
141	6696949	CLIP	1	
* 142	6698716	FUEL PIPE	1	
* 142	6698932	FUEL PIPE L180	1	FOR USA
143	6696476	FUEL PIPE (PINK)	1	
144	6697846	RETURN GROMMET	1	
145	6698931	FUEL GROMMET	1	
146	6698402	FUEL TANK CAP ASS'Y	1	INCLUD.147
147	6698732	TANK CAP CHAIN	1	
* 171	323837	TAPPING SCREW (W/FLANGE) D4 X 30	1	FOR EUROPE (S)
* 172	302086	TAPPING SCREW (W/FLANGE) D4 X 20 (BLACK)	1	FOR EUROPE (S)
* 173	6696590	HANDLE (B)	1	FOR EUROPE (S)

PARTS

CG 22EAP2

ITEM NO.	CODE NO.	DESCRIPTION	NO. USED	REMARKS	
* 174	323041	MACHINE SCREW M5 X 30 (BLACK)	1	FOR EUROPE (S)	
* 175	6696593	THROTTLE WIRE COMP.	1	FOR EUROPE (S)	
* 176	6696585	HANDLE RIGHT	1	FOR EUROPE (S)	
* 177	6696577	HANDLE HOLDER (B)	1	FOR EUROPE (S)	
* 178	6696578	HANDLE HOLDER (C)	1	FOR EUROPE (S)	
* 179	6684714	HEX. HOLE BUTTON SCREW 6 X 25S	2	FOR EUROPE (S)	
* 180	6684709	HEX. HOLE BOLT M5 X 25/S	4	FOR EUROPE (S)	
* 181	6696576	HANDLE HOLDER (A)	1	FOR EUROPE (S)	
* 182	6696588	HANDLE (A)	1	FOR EUROPE (S)	
* 183	302012	NUT M5 (BLACK)	1	FOR EUROPE (S)	
* 184	6696595	HANDLE LEFT	1	FOR EUROPE (S)	
* 185	6696972	HANDLE HOLDER (A)	1	FOR USA,EUROPE (LB),NOR (LB)	
* 186	6696973	BARRIER	1	FOR EUROPE (SL,SLD),GBR (SL)	
	187	6696974	BOLT (BLACK) M6	2	
	188	949556	NUT M6 (10 PCS.)	2	
	189	6696975	LOOP HANDLE	1	
* 190	6699402	GEAR CASE ASS'Y 3BB(A)	1	INCLUD.191-197 FOR EUROPE (S,SL,SLD), GBR (SL)	
* 190	6696976	GEAR CASE ASS'Y 3BB (B) SET	1	INCLUD.191,192,196,197 FOR USA (SL,SLD)	
* 191	6684737	BOLT (W/PLUS) M6 X 8	1	FOR EUROPE (S,SL,SLD), GBR (SL), USA (SL,SLD)	
* 192	6696977	CUTTER HOLDER (A)	1	FOR EUROPE (S,SL,SLD),GBR (SL), USA (SL,SLD)	
* 193	6698659	CUTTER HOLDER (B)	1	FOR EUROPE (S,SL,SLD),GBR (SL)	
* 194	6699188	NUT COVER	1	FOR EUROPE (S,SL,SLD),GBR (SL)	
* 195	335759	U-NUT (LEFT HAND) M10	1	FOR EUROPE (S,SL,SLD),GBR (SL)	
* 196	6695414	SCREW 5 X 12/W.S	1	FOR EUROPE (S,SL,SLD),GBR (SL) USA (SL,SLD)	
* 197	949664	HEX. SOCKET HD. BOLT M5 X 30 (10 PCS.)	1	FOR EUROPE (S,SL,SLD),GBR (SL) USA (SL,SLD)	
* 198	6698794	COVER	1	FOR EUROPE (S,SL,SLD),USA (SL,SLD)	
	199		1	NYLON CORD	
	200	6698795	1	SET SCREW	
* 201	6698796	REEL	1	EXCEPT FOR NOR (LB),EUROPE (LB),USA(SLB)	
* 202	6698797	RETURN SPRING	1	EXCEPT FOR NOR (LB),EUROPE (LB),USA(SLB)	
	203	6698798	1	BUTTON	
	204	6698799	2	CORD GUIDE	
	205	6698800	1	CASE	
* 206	6696454	NYLON HEAD ASS'Y	1	INCLUD.198-205 EXCEPT FOR NOR (LB), EUROPE (LB),USA (SLB)	
* 207	6696494	COVER BRACKET	1	FOR EUROPE (S,SL,SLD),GBR (SL)	
* 208	6684714	HEX. HOLE BUTTON SCREW 6 X 25S	2	FOR EUROPE (S,SL,SLD),GBR (SL)	
* 209	6685064	HEX. SOCKET HD. BOLT (W/BUTTON) M6 X 20	2	FOR USA (SL,SLD)	
* 210	949455	SPRING WASHER M6 (10 PCS.)	2	FOR USA (SL,SLD)	
* 211	6696978	COVER BRACKET	2	FOR USA (SL,SLD)	
* 212	6685061	LEVEL MARK	1	FOR USA (SL,SLD)	
* 213	6600450	CAUTION MARK HITACHI	1		
* 213	6600447	CAUTION MARK (USA)	1		
* 214	6600446	LEVEL MARK (B)	1	EXCEPT FOR EUROPE (S)	
* 215	6684851	LEVEL MARK	1	FOR EUROPE (S,SL,SLD,LB),NOR (LB),USA (SLD)	

PARTS

CG 22EAP2

ITEM NO.	CODE NO.	DESCRIPTION	NO. USED	REMARKS
*	216	6696558	MAIN PIPE COMP.	1 FOR EUROPE (S,SL),GBR (SL),USA (SL)
*	217	6698514	DRIVE SHAFT	1 FOR EUROPE (S,SL),GBR (SL),USA (SL)
*	218	6696493	HANGER	1 FOR EUROPE (S,SL),GBR (SL)
*	219	6698515	CAP (A)	1 FOR EUROPE (S,SL)
*	220	6696950	COVER GUARD	1 FOR EUROPE (S,SL,SLD),GBR (SL)
*	221	6684751	TAPPING SCREW 4 X 14	1 FOR EUROPE (S,SL,SLD),GBR (SL)
*	222	6684750	KNIFE	1 FOR EUROPE (S,SL,SLD),GBR (SL)
*	223	6696951	GUARD HOLDER	1 FOR EUROPE (S,SL,SLD),GBR (SL)
*	224	6696980	COVER	1 FOR EUROPE (S,SL,SLD),GBR (SL)
*	225	949554	NUT M4 (10 PCS.)	2 FOR USA (SL,SLD)
*	226	6696584	KNIFE	1 FOR USA (SL,SLD)
*	227	6696583	GUARD	1 FOR USA (SL,SLD)
*	228	323210	BOLT WASHER M4 (BLACK)	2 FOR USA (SL,SLD)
*	229	6685068	MACHINE SCREW (W/SP. WASHER) M4 X 12	2 FOR USA (SL,SLD)
*	251	6684824	HEX. BOLT 6 X 50	1 FOR EUROPE (SLD),USA (SLD)
*	252	6684823	HANDLE KNOB	1 FOR EUROPE (SLD),USA (SLD)
*	253	6684822	SPECIAL WASHER B	1 FOR EUROPE (SLD),USA (SLD)
*	254	6684829	HEX. SOCKET HD. BOLT M5 X 12	1 FOR EUROPE (SLD),USA (SLD)
*	255	6698884	SPRING WASHER M5	1 FOR EUROPE (SLD),USA (SLD)
*	256	6684825	HEX. SOCKET HD. BOLT (W/BUTTON) M6	1 FOR EUROPE (SLD),USA (SLD)
*	257	949455	SPRING WASHER M6 (10 PCS.)	1 FOR EUROPE (SLD),USA (SLD)
*	258	949425	WASHER M6 (10 PCS.)	1 FOR EUROPE (SLD),USA (SLD)
*	259	6689139	SPACER 1.6	1 FOR EUROPE (SLD),USA (SLD)
*	260	6684819	SPACER	1 FOR EUROPE (SLD),USA (SLD)
*	261	6684820	PULLEY WASHER	1 FOR EUROPE (SLD),USA (SLD)
*	262	939540	RETAINING RING FOR D10 SHAFT (10 PCS.)	1 FOR EUROPE (SLD),USA (SLD)
*	263	6684815	MAIN PIPE COMP.	1 FOR EUROPE (SLD),USA (SLD)
*	264	6684814	DRIVE SHAFT A	1 FOR EUROPE (SLD),USA (SLD)
*	265	6684705	HANGER	1 FOR EUROPE (SLD),USA (SLD)
*	266	6684704	HANGER COLLAR	1 FOR EUROPE (SLD),USA (SLD)
*	267	6684706	HANGER FIXING BRACKET	1 FOR EUROPE (SLD),USA (SLD)
*	268	6684709	HEX. HOLE BOLT M5 X 25/S	1 FOR EUROPE (SLD),USA (SLD)
*	269	6684817	JOINT CASE	1 FOR EUROPE (SLD),USA (SLD)
*	270	6684828	CAP NUT 6	1 FOR EUROPE (SLD),USA (SLD)
*	271	6684833	BUSHING	1 FOR EUROPE (SLD),USA (SLD)
*	272	6697838	DRIVE SHAFT COMP	1 FOR EUROPE (SLD),USA (SLD)
*	273	6684832	DRIVE SHAFT B 783L	1 FOR EUROPE (SLD),USA (SLD)
*	281	6698325	FLEXIBLE SHAFT	1 FOR EUROPE (LB),NOR (LB)
*	282	6696580	MAIN PIPE ASS'Y	1 INCLUD.281,283 FOR EUROPE (LB),NOR (LB)
*	283	6698810	CUTTER CASE	1 INCLUD.284,285,288 FOR EUROPE (LB),
				NOR (LB)
*	284	6698331	BEARING WASHER	1 FOR EUROPE (LB),NOR (LB)
*	285	949819	HEX. SOCKET HD. BOLT M5 X 10 (10 PCS.)	1 FOR EUROPE (LB),NOR (LB)
*	286	6698334	BOLT M6	2 FOR EUROPE (LB),NOR (LB)
*	287	6698335	GUARD BRACKET	1 FOR EUROPE (LB),NOR (LB)
*	288	949662	HEX. SOCKET HD. BOLT M5 X 25 (10 PCS.)	1 FOR EUROPE (LB),NOR (LB)
*	289	6698809	GUARD	1 FOR EUROPE (LB),NOR (LB)
*	290	949238	MACHINE SCREW M5 X 14 (10 PCS.)	2 FOR EUROPE (LB),NOR (LB)
*	291	949424	WASHER M5 (10 PCS.)	2 FOR EUROPE (LB),NOR (LB)
*	292	6698333	KNIFE	1 FOR EUROPE (LB),NOR (LB)

PARTS

CG 22EAP2

ITEM NO.	CODE NO.	DESCRIPTION	NO. USED	REMARKS
* 293	949454	SPRING WASHER M5 (10 PCS.)	2	FOR EUROPE (LB),NOR (LB)
* 294	949555	NUT M5 (10 PCS.)	2	FOR EUROPE (LB),NOR (LB)
* 295	6685038	FLEXIBLE SHAFT (A)	1	FOR USA (SLB)
* 296	6696582	MAIN PIPE (A) ASS'Y	1	INCLUD.295,297 FOR USA (SLB)
* 297	6698811	CUTTER CASE (A)	1	INCLUD.298-301 FOR USA (SLB)
* 298	6698340	BEARING WASHER (A)	1	FOR USA (SLB)
* 299	949707	BOLT M5 X 10 (10 PCS.)	1	FOR USA (SLB)
* 300	6685001	WASHER	1	FOR USA (SLB)
* 301		HEX. SOCKET HD. BOLT (W/SP.WASHER) M5 X 28	1	FOR USA (SLB)
* 302	6685074	TAPPING SCREW D5 X 16	1	FOR USA (SLB)
* 303	6684792	NUT M6	1	FOR USA (SLB)
* 304	6685015	KNIFE	1	FOR USA (SLB)
* 305	6699075	GUARD (W/CAUTION LABEL)	1	FOR USA (SLB)
* 306	6684639	BOLT WASHER 6	1	FOR USA (SLB)
* 307	6684995	PLUS BOLT M6 X 45	1	FOR USA (SLB)
* 308	6698801	COVER	1	FOR EUROPE (LB),NOR (LB),USA (SLB)
* 309	6698802	REEL	1	FOR EUROPE (LB),NOR (LB),USA (SLB)
* 310	6698803	RETURN SPRING	1	FOR EUROPE (LB),NOR (LB),USA (SLB)
* 311	6696597	NYLON HEAD (R)	1	INCLUD.199,200,203-205,308-310
				FOR EUROPE (LB),NOR (LB),USA (SLB)

STANDARD ACCESSORIES

ITEM NO.	CODE NO.	DESCRIPTION	NO. USED	REMARKS
501	6684764	BOX WRENCH (HEX. SOCKET 17/19)	1	
* 502	6696596	WRENCH 8 X 10	1	FOR EUROPE (S,SL,LB),NOR (LB)
503	944458	HEX. BAR WRENCH 4MM	1	
* 504	6699756	CUTTER COVER	1	FOR EUROPE (S)
505	875769	SAFETY GLASSES	1	
* 506	6696448	SHOULDER BELT SINGLE	1	FOR EUROPE (S,SL,SLD),GBR (SL),USA (SLD)
* 507	6684767	CUTTING BLADE 4 X 230, TYPE M	1	FOR EUROPE (S)