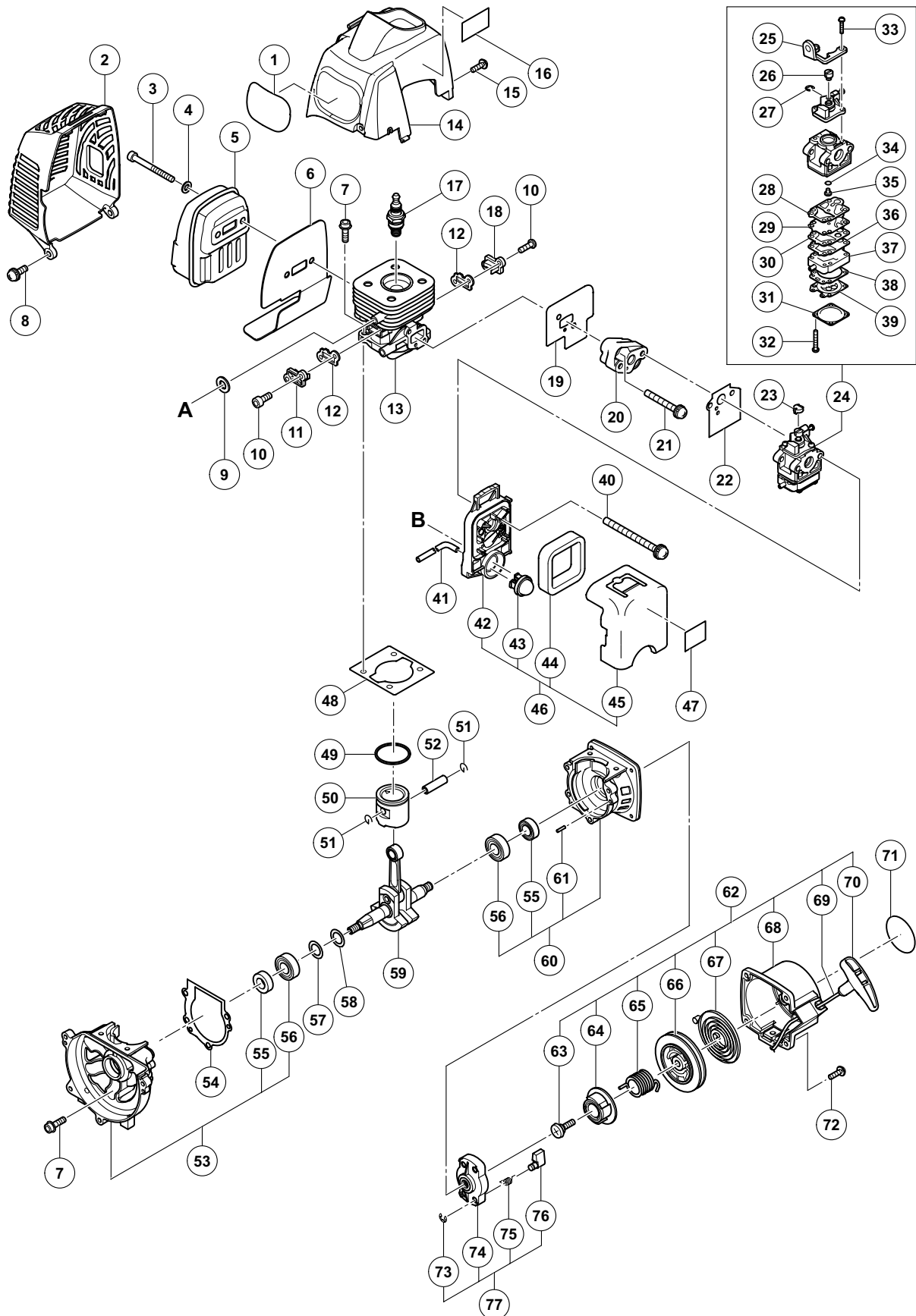


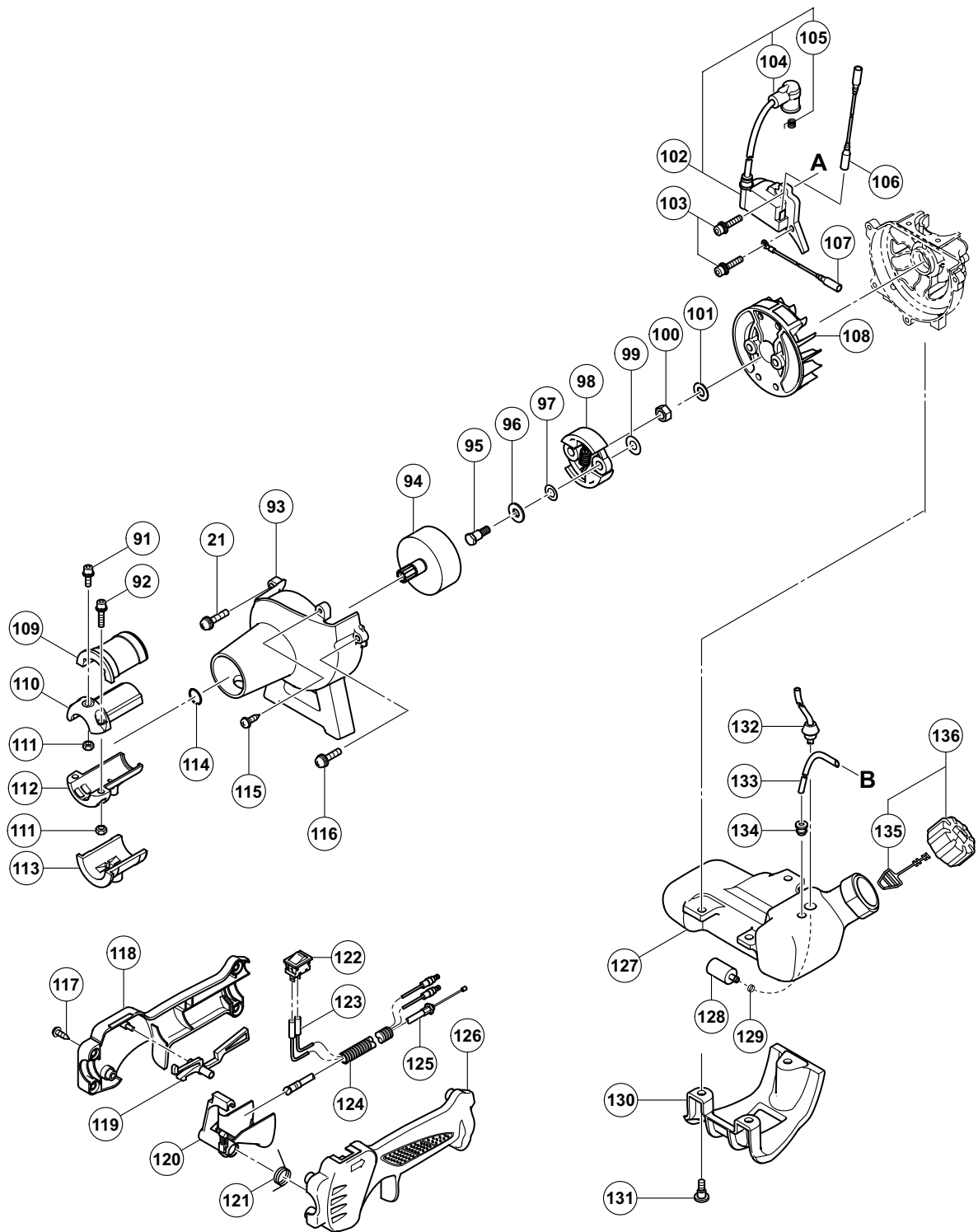
ENGINE TOOL PARTS LIST

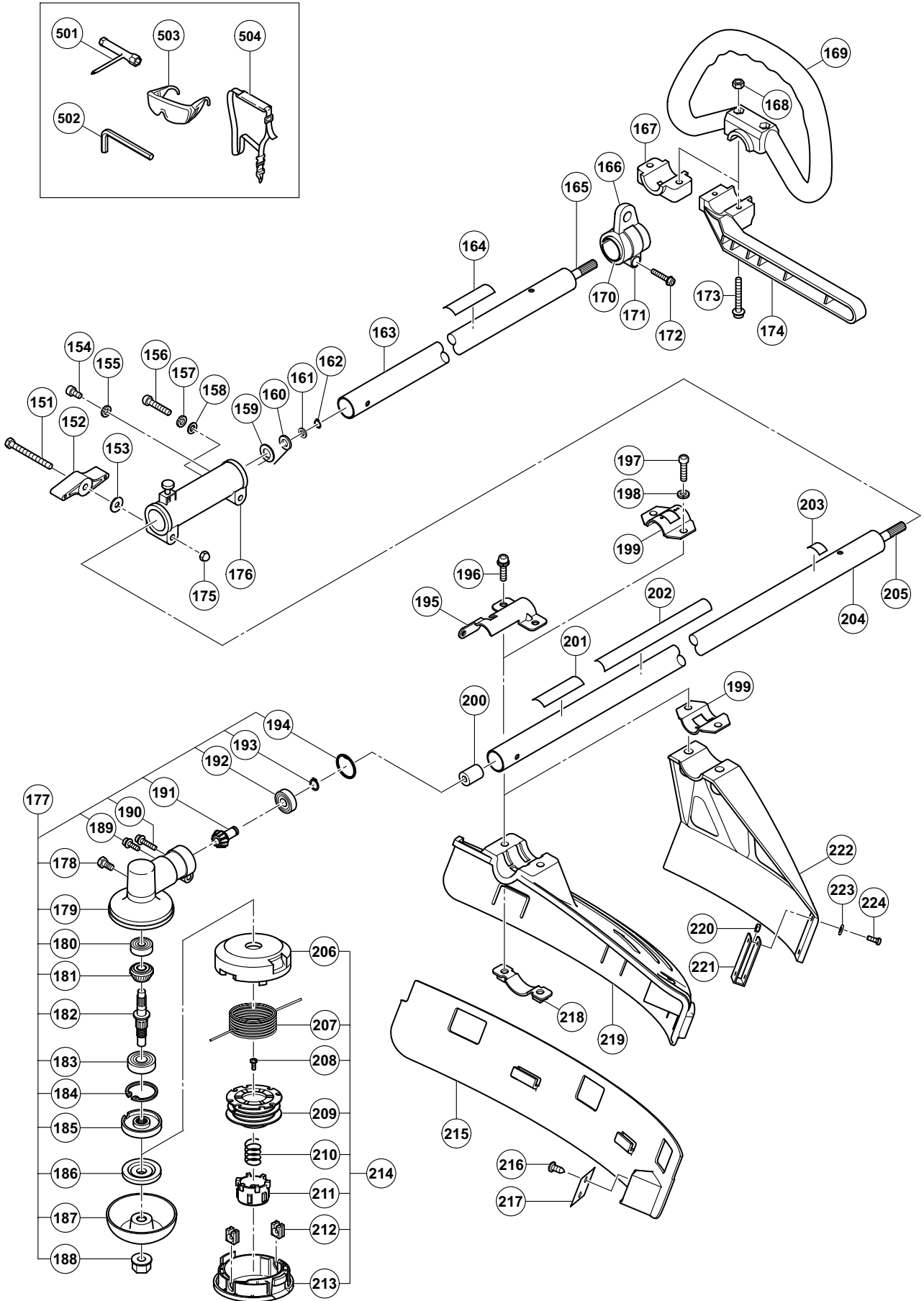
ENGINE BRUSH CUTTER Model CG 22EAD

2010·3·16

(E1)







PARTS

CG 22EAD

ITEM NO.	CODE NO.	DESCRIPTION	NO. USED	REMARKS
		HITACHI LABEL	1	
*	2 669-6571	MUFFLER PROTECTOR	1	
*	2 669-6555	MUFFLER PROTECTOR	1	FOR EUROPE (SLP), USA (SLP), CAN (SLP)
	3 668-4638	HEX. HOLE BOLT M6 X 55	2	
	4 949-432	BOLT WASHER M6 (10 PCS.)	2	
*	5 669-6570	MUFFLER	1	
*	5 669-6554	MUFFLER	1	FOR EUROPE (SLP), USA (SLP), CAN (SLP)
	6 669-6553	HEAT PROTECTION PANEL	1	
	7 668-4586	HEX. HOLE BOLT M5 X 18/S	8	
	8 887-021	SCREW (W/WASHERS) M5 X 16 (BLACK)	2	
*	9 668-4600	WASHER	2	FOR EUROPE (SLP), USA (SLP), CAN (SLP)
	10 668-4595	HEX. HOLE BOLT M4 X 12/S	4	
	11 669-6536	INTAKE COVER (B)	1	
	12 669-6534	COVER PACKING	2	
	13 669-6527	CYLINDER	1	
*	14 669-6528	CYLINDER COVER	1	
*	14 669-6529	CYLINDER COVER	1	FOR USA (SLP), CAN (SLP)
	15 307-606	MACHINE SCREW (W/WASHERS) M4 X 20 (BLACK)	2	
	16	CAUTION LABEL (EU)	1	
*	17 668-4584	SPARK PLUG BMR7A	1	
*	17 668-5052	SPARK PLUG CJ6	1	FOR USA (SLP), CAN (SLP), MEX (SL), UAE (SL), TPE (SL), SIN (SL)
	18 669-6535	INTAKE COVER (A)	1	
	19 669-6548	INTAKE PACKING	1	
	20 669-6943	CARBURETOR INSULATOR	1	
	21 880-734	MACHINE SCREW (W/WASHERS) M5 X 25 (BLACK)	3	
	22 668-4616	CARBURETOR GASKET	1	
	23 668-4628	SWIVEL CAP	1	
	24 669-6550	CARBURETOR ASS'Y WYC-22	1	INCLUD. 25-39
	25	BRACKET CABLE	1	
	26	SWIVEL	1	
	27 668-4696	STOP RING	1	
	28 668-4692	PUMP GASKET	1	
	29 668-4693	PUMP DIAPHRAGM	1	
	30 669-1242	PUMP PLATE	1	
	31 668-5222	DIAPHRAGM COVER	1	
	32 669-1312	SET SCREW	4	
	33	SCREW	2	
	34 668-4695	O-RING	1	
	35	JET	1	
	36 669-1234	CIRCUIT PLATE	1	
	37	BODY ASS'Y PUMP	1	
	38 668-5220	DIAPHRAGM PACKING	1	
	39 668-4690	METERING DIAPHRAGM COMP.	1	
	40 307-224	MACHINE SCREW (W/WASHERS) M5 X 60 (BLACK)	2	
	41 669-6962	FUEL PIPE	1	
	42	AIR CLEANER HOUSING	1	
	43 668-5139	PRIMING PUMP COMP.	1	
	44 669-0347	CLEANER ELEMENT	1	
	45	CLEANER COVER	1	

PARTS

CG 22EAD

ITEM NO.	CODE NO.	DESCRIPTION	NO. USED	REMARKS
46	669-6549	AIR CLEANER ASS'Y	1	INCLUD. 42-45
* 47		START LABEL (A)	1	FOR USA (SLP), CAN (SLP)
48	669-6530	CYLINDER PACKING	1	
49	669-6532	PISTON RING	1	
50	669-6531	PISTON	1	
51	668-4590	PISTON PIN CIRCLIP	2	
52	669-6944	PISTON PIN	1	
53	669-6538	CRANK CASE (B) COMP	1	INCLUD. 55, 56
54	669-6539	CRANK CASE PACKING	1	
55	668-4607	OIL SEAL TB 12227	2	
56	668-4608	BALL BEARING 6001 C3	2	
57	669-6946	SHIM	1	
58	669-6945	SHIM	1	
59	669-6533	CRANK SHAFT COMP.	1	
60	669-6537	CRANK CASE (A) COMP	1	INCLUD. 55, 56, 61
61	669-5521	KNOCK PIN 4 X 12	2	
62	668-4672	RECOIL STARTER BODY ASS'Y	1	INCLUD. 63-70
63	668-4679	SET SCREW	1	
64	668-4678	CAM PLATE	1	
65	668-4677	DUMPER SPRING	1	
66	668-4676	STARTER ROPE REEL	1	
67	668-4675	RECOIL SPRING	1	
68	668-4673	RECOIL STARTER BODY COMP.	1	
69	668-4674	STARTER ROPE 3.5 X 860	1	
70	668-4680	STARTER HANDLE	1	
71		NAME PLATE	1	
72	993-539	MACHINE SCREW (W/WASHERS) M4 X 16	2	
73		RETAINING RING D5E	2	
74		STARTER PULLEY	1	
75		STARTER PAWL SPRING	2	
76		STARTER PAWL	2	
77	668-4681	STARTER PULLEY ASS'Y	1	INCLUD. 73-76
91	668-4667	HEX. HOLE BOLT M5 X 12/S	1	
92	305-583	HEX. SOCKET HD. BOLT (W/SP. WASHER) M5 X 20	2	
93	669-6540	FAN CASE COMP	1	
94	669-6541	CLUTCH SHAFT COMP	1	
95	669-6469	STEP BOLT	2	
96	668-4648	BENT WASHER 8	2	
97	669-6546	CLUTCH PLATE (A)	2	
98	669-6948	CLUTCH	1	
99	669-6547	CLUTCH WASHER (B)	2	
100	668-5337	FLYWHEEL NUT	1	
101	323-212	BOLT WASHER M8 (BLACK)	1	
102	669-6929	IGNITION COIL ASS'Y	1	INCLUD. 104, 105
103	668-4599	HEX. HOLE BOLT M4 X 18/WS	2	
104		PLUG CAP	1	
105		METAL FITTING OF PLUG CAP	1	
106	669-6544	CORD	1	
107	669-6545	EARTH CORD	1	
108	669-6928	MAGNETO ROTOR COMP.	1	

PARTS

CG 22EAD

ITEM NO.	CODE NO.	DESCRIPTION	NO. USED	REMARKS
109	669-6963	ANTI VIBE RUBBER (A)	1	
110	669-6542	PIPE HOLDER (A)	1	
111	302-012	NUT M5 (BLACK)	3	
112	669-6543	PIPE HOLDER (B)	1	
113	669-6964	ANTI VIBE RUBBER (B)	1	
114	939-542	RETAINING RING FOR D12 SHAFT (10 PCS.)	1	
115	668-4636	TAPPING SCREW D4.5 X 16	1	
116	995-096	MACHINE SCREW (W/WASHERS) M5 X 20 (BLACK)	2	
117	305-812	TAPPING SCREW (W/FLANGE) D4 X 16 (BLACK)	4	
* 118	669-6487	HANDLE (B)	1	
* 118	669-6942	HANDLE (B)	1	FOR USA (SLP), CAN (SLP), MEX (SL), UAE (SL), TPE (SL), SIN (SL)
* 119	669-6490	LOCK LEVER	1	FOR EUROPE (SLP), RUS (SL), AUS (SL), NZL(SL), CHN (SL)
120	669-6488	LEVER	1	
121	669-6489	SPRING (A)	1	
122	669-6940	STOP SWITCH	1	
123	669-6491	STOP SWITCH CORD	2	
124	669-6967	PROTECTION TUBE	1	
125	669-6560	THROTTLE WIRE COMP	1	
* 126	669-6486	HANDLE (A)	1	
* 126	669-6941	HANDLE (A)	1	FOR USA (SLP), CAN (SLP), MEX (SL), UAE (SL), TPE (SL), SIN (SL)
* 127	669-6569	TANK	1	
* 127	669-6552	TANK	1	FOR USA (SLP), CAN (SLP)
128	668-4620	PUMP FILTER BODY COMP.	1	
129	669-6949	CLIP	1	
* 130	669-6556	STAND	1	FOR USA (SLP), CAN (SLP)
* 131	669-6574	BOLT (W/FLANGE)	3	
* 131	669-6557	FLANGE BOLT	3	FOR USA (SLP), CAN (SLP)
132	669-6551	SHIELD TUBE	1	
133	669-6476	FUEL PIPE (PINK)	1	
134	669-6970	RETURN GROMMET	1	
* 135	668-4625	TANK CAP CHAIN	1	FOR EUROPE (SLP), RUS (SL), USA (SLP), CAN (SLP), AUS (SL), NZL (SL), CAN (SL)
* 136	668-5071	TANK CAP ASS'Y	1	INCLUD. 135
* 136	668-4622	TANK CAP ASS'Y	1	INCLUD. 135 FOR EUROPE (SLP), RUS (SL), USA (SLP), CAN (SLP), AUS (SL), NZL (SL), CHN (SL)
151	668-4824	HEX. BOLT 6 X 50	1	
152	668-4823	HANDLE KNOB	1	
153	668-4822	SPECIAL WASHER B	1	
154	668-4829	HEX. SOCKET HD. BOLT M5 X 12	1	
155	949-454	SPRING WASHER M5 (10 PCS.)	1	
156	668-4825	HEX. SOCKET HD. BOLT (W/BUTTON) M6	1	
157	949-455	SPRING WASHER M6 (10 PCS.)	1	
158	949-425	WASHER M6 (10 PCS.)	1	
159	668-4818	SPACER 1.6	1	
160	668-4819	SPACER	1	
161	668-4820	PULLEY WASHER	1	

PARTS

CG 22EAD

ITEM NO.	CODE NO.	DESCRIPTION	NO. USED	REMARKS
162	939-540	RETAINING RING FOR D10 SHAFT (10 PCS.)	1	
163	668-4815	MAIN PIPE COMP.	1	
164		LEVEL MARK	1	
165	668-4814	DRIVE SHAFT A	1	
166	668-4705	HANGER	1	
* 167	669-6972	HANDLE HOLDER (A)	1	FUR USA (SLP), CAN (SLP), MEX (SL), UAE (SL), TPE (SL), SIN (SL)
168	949-556	NUT M6 (10 PCS.)	2	
169	669-6975	LOOP HANDLE	1	
170	668-4704	HANGER COLLAR	1	
171	668-4706	HANGER FIXING BRACKET	1	
172	668-4709	HEX. HOLE BOLT M5 X 25/S	1	
173	669-6974	BOLT (BLACK) M6	2	
* 174	669-6973	BARRIER	1	FOR EUROPE (SLP), RUS (SL), AUS (SL), NZL (SL), CHN (SL)
175	668-4828	CAP NUT 6	1	
176	668-4817	JOINT CASE	1	
* 177	669-6485	GEAR CASE ASS'Y 3BB(A)	1	INCLUD. 178-194
* 177	669-6976	GEAR CASE ASS'Y 3BB(B)SET	1	INCLUD. 178-194 FOR USA (SLP), CAN (SLP)
178	669-6974	BOLT (BLACK) M6	1	
179		GEAR CASE D24	1	
180		BALL BEARING 626	1	
181		GEAR	1	
182		GEAR SHAFT D24	1	
183		BALL BEARING 6000DDU	1	
184		C-RING D26	1	
185	669-6977	CUTTER HOLDER (A)	1	
* 186		CUTTER HOLDER (B)	1	EXCEPT FOR USA (SLP), CAN (SLP)
* 187		NUT COVER	1	EXCEPT FOR USA (SLP), CAN (SLP)
* 188		LEFT HAND NYLON NUT M10	1	EXCEPT FOR USA (SLP), CAN (SLP)
189		SCREW W/SPRING WASHER M5	1	
190		HEX. BOLT M5	1	
191		PINION	1	
192		BALL BEARING 609Z	1	
193		GRIP RING D9	1	
194		C-RING D24	1	
* 195	669-6494	COVER BRACKET	1	FOR EUROPE (SLP), RUS (SL), AUS (SL), NZL (SL), CHN (SL)
* 196	668-4714	HEX. HOLE BUTTON SCREW 6 X 25S	2	FOR EUROPE (SLP), RUS (SL), AUS (SL), NZL (SL), CHN (SL)
* 197	668-5064	HEX. SOCKET HD. BOLT (W/BUTTON) M6 X 20	2	FOR USA,(SLP),CAN (SLP),MEX (SL), UAE (SL), TPE (SL), SIN (SL)
* 198	949-455	SPRING WASHER M6 (10 PCS.)	2	FOR USA (SLP), CAN (SLP), MEX (SL), UAE (SL), TPE (SL), SIN (SL)
* 199	669-6978	COVER BRACKET	2	FOR USA (SLP), CAN (SLP), MEX (SL), UAE (SL), TPE (SL), SIN (SL)
200	668-4833	BUSHING	1	
201	668-4851	LEVEL MARK	1	
202		CAUTION MARK	1	
203	668-4851	LEVEL MARK	1	

PARTS

CG 22EAD

ITEM NO.	CODE NO.	DESCRIPTION	NO. USED	REMARKS
204	668-4830	MAIN PIPE COMP.	1	
205	668-4832	DRIVE SHAFT B 783L	1	
206		COVER	1	
207		NYLON CORD	1	
208		SET SCREW	1	
209		REEL	1	
210		RETURN SPRING SET SCREW	1	
211		BUTTON	1	
212		CORD GUIDE	2	
213		CASE	1	
214	669-6454	NYLON HEAD ASS'Y	1	INCLUD. 206-213
* 215	669-6950	COVER GUARD	1	FOR EUROPE (SLP), RUS (SL), AUS (SL), NZL (SL), CHN (SL)
* 216	668-4751	TAPPING SCREW 4 X 14	1	FOR EUROPE (SLP), RUS (SL), AUS (SL), NZL (SL), CHN (SL)
* 217	668-4750	KNIFE	1	FOR EUROPE (SLP), RUS (SL), AUS (SL), NZL (SL), CHN (SL)
* 218	669-6951	SAFETY COVER HOLDER	1	FOR EUROPE (SLP), RUS (SL), AUS (SL), NZL (SL), CHN (SL)
* 219	669-6980	COVER	1	FOR EUROPE (SLP), RUS (SL), AUS (SL), NZL (SL), CHN (SL)
* 220	949-554	NUT M4 (10 PCS.)	2	FOR USA (SLP), CAN (SLP), MEX (SL), UAE (SL), TPE (SL), SIN (SL)
* 221	669-6584	KNIFE	1	FOR USA (SLP), CAN (SLP), MEX (SL), UAE (SL), TPE (SL), SIN (SL)
* 222	669-6583	SAFETY COVER COMP.	1	FOR USA (SLP), CAN (SLP), MEX (SL), UAE (SL), TPE (SL), CHN (SL)
* 223	323-210	BOLT WASHER M4 (BLACK)	2	FOR USA (SLP), CAN (SLP), MEX (SL), UAE (SL), TPE (SL), SIN (SL)
* 224	668-5068	MACHINE SCREW (W/SP. WASHER) M4 X 12	2	FOR USA (SLP), NZL (SLP), MEX (SL), UAE (SL), TPE (SL), SIN (SL)

STANDARD ACCESSORIES

ITEM NO.	CODE NO.	DESCRIPTION	NO. USED	REMARKS
501	668-4764	BOX WRENCH (HEX. SOCKET 17/19)	1	
502	944-458	HEX. BAR WRENCH 4MM	1	
503	875-769	SAFETY GLASSES	1	
504	669-6448	SHOULDER BELT SINGLE	1	