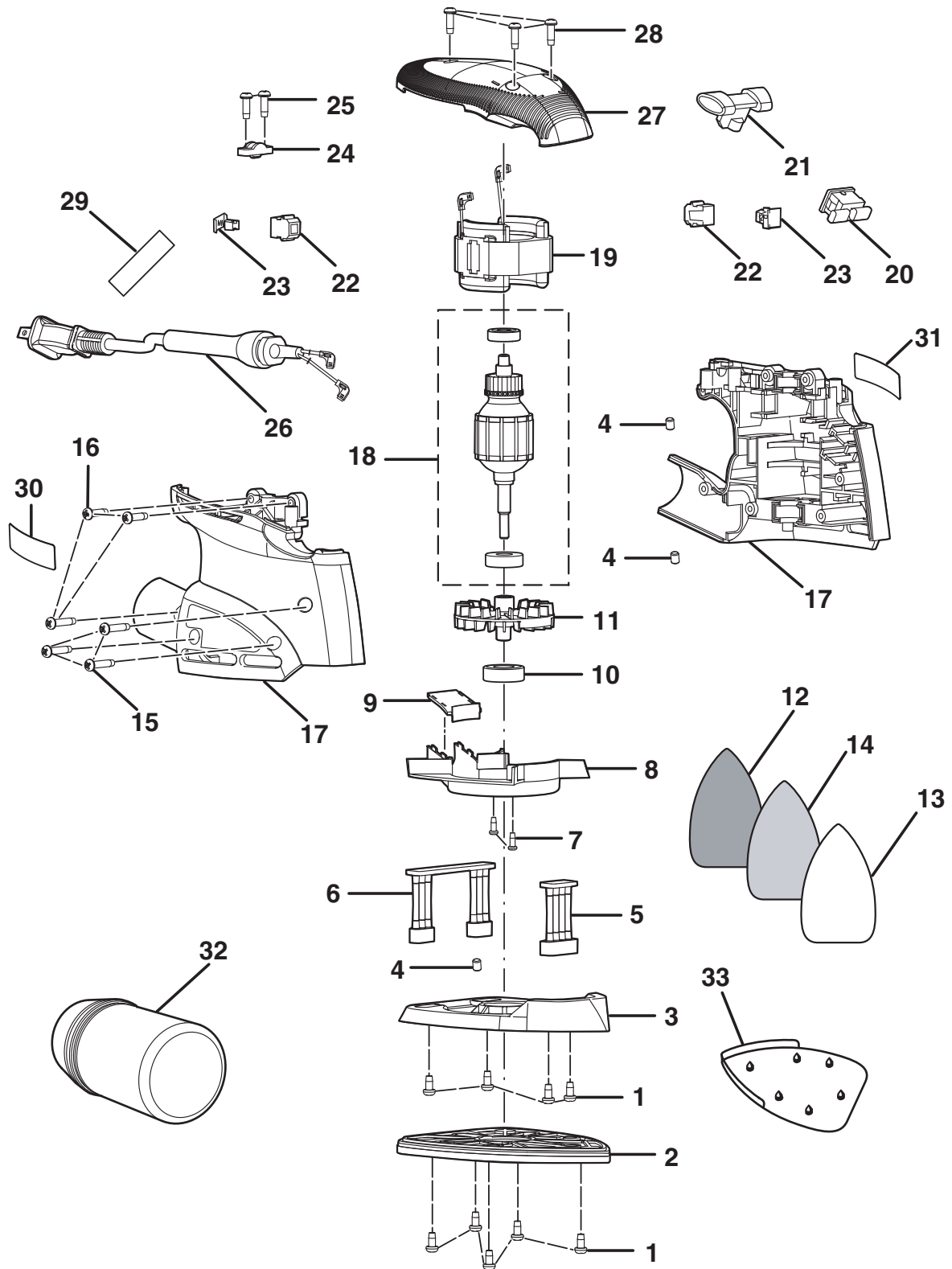


RYOBI CORNER CAT SANDER – MODEL NUMBER CFS1502



NOTE: To avoid the possibility of alteration or damage to this product, service should be performed by your nearest Ryobi Authorized Service Center. For the service center nearest you call 1-800-525-2579.

RYOBI CORNER CAT SANDER – MODEL NUMBER CFS1502

The model number will be found on a plate attached to the motor housing. Always mention the model number in all correspondence regarding your **CORNER CAT SANDER** or when ordering repair parts.

PARTS LIST

Key No.	Part Number	Description	Qty.
1	CFS1501-01	SCREW (M4.2 X 8 mm PAN HD.)	9
2	CFS1501-02	PLATEN ASSEMBLY	1
3	CFS1501-03	PLATEN SUPPORT	1
4	CFS1501-04	RUBBER PIN.....	3
5	CFS1501-05	CUSHION SUPPORT (FRONT).....	1
6	CFS1501-06	CUSHION SUPPORT (REAR)	1
7	CFS1501-07	SCREW (M3 X 8 mm PAN HD.)	2
8	CFS1501-08	FAN BAFFLE	1
9	CFS1501-09	DUST PORT COVER	1
10	CFS1501-10	BALL BEARING (628Z).....	1
11	CFS1501-11	FAN	1
12	CFS1501-36	HEAVY SCRUB PAD	1
13	CFS1501-37	LIGHT SCRUB PAD	1
14	CFS1501-38	POLISHING SCRUB PAD	1
15	CFS1501-16	SCREW (M4.2 X 20 mm PAN HD.)	3
16	CFS1501-17	SCREW (M4.2 X 16 mm PAN HD.)	3
17	CFS1501-18	HOUSING ASSEMBLY	1
18	CFS1501-12	ARMATURE ASSEMBLY	1
19	CFS1501-21	FIELD ASSEMBLY	1
20	CFS1501-22	SWITCH.....	1
21	CFS1501-23	SWITCH TRIGGER	1
22	CFS1501-24	BRUSH HOLDER	2
23	CFS1501-25	BRUSH ASSEMBLY	2
24	CFS1501-26	CORD CLAMP	1
25	CFS1501-27	SCREW (M4.2 X 12 mm PAN HD.)	2
26	CFS1501-28	POWER CORD ASSEMBLY	1
27	039110006002	TOP COVER W/OVERMOLD	1
28	CFS1501-30	SCREW (M4.2 X 14 mm PAN HD.)	3
29	039110006005	CORD LABEL.....	1
30	039110006004	LOGO LABEL.....	1
31	039110006003	DATA LABEL.....	1
32	CFS1501-31	DUST BAG	1
33	CFS1501-32	PUNCHER.....	1
34	CFS1501-33	60 GRIT SANDPAPER (NOT SHOWN).....	1
35	CFS1501-34	120 GRIT SANDPAPER (NOT SHOWN).....	1
36	CFS1501-35	240 GRIT SANDPAPER (NOT SHOWN).....	1
37	039110006015	CARRYING CASE (NOT SHOWN)	1
	983000663	OPERATOR'S MANUAL (039110006006)	
	983000663R	REPAIR SHEET (REV:00)	
	02-21-05		

* Standard Hardware Item – May Be Purchased Locally