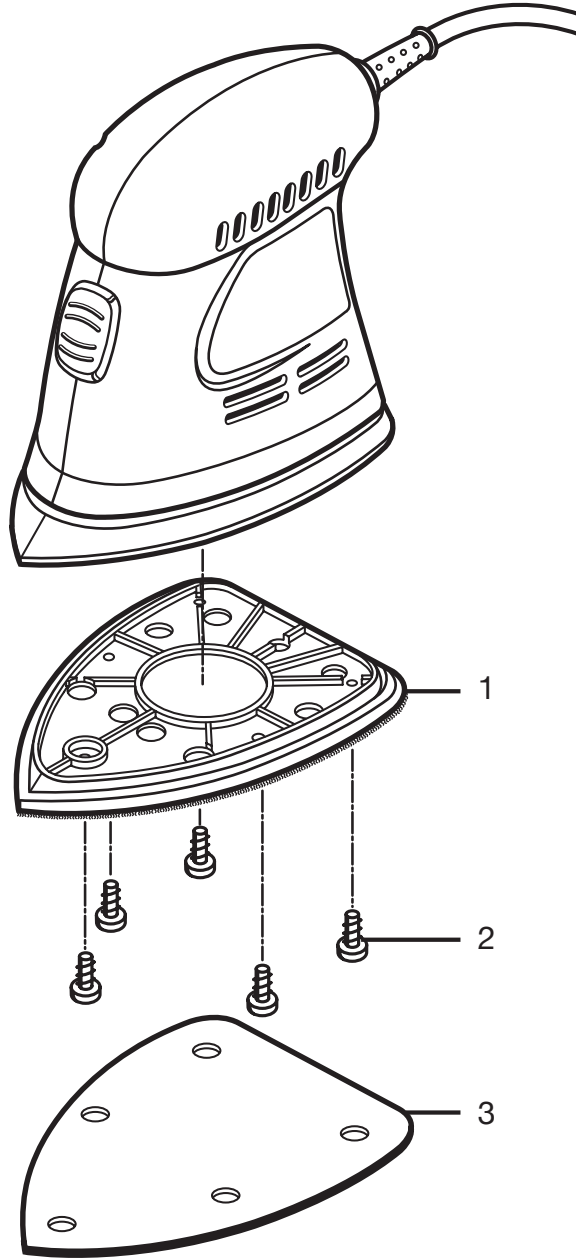


## RYOBI FINISHING SANDER – MODEL NUMBER CFS1500

The model number will be found on a plate attached to the motor housing. Always mention the model number in all correspondence regarding your **FINISHING SANDER** or when ordering repair parts.



### PARTS LIST

KEY NO.	PART NUMBER	DESCRIPTION	QTY.
1	CFS1500-3	PLASTIC BASE.....	1
2	CFS1500-1	TAPPING SCREW.....	5
3	CFS1500-2	WORKING BASE.....	1
	972000-929	OPERATOR'S MANUAL	
	972000-929R	REPAIR SHEET	
	02-18-04		