

Model / Modèl / Modelo CFN325XP
 Part No. / No de pièce / Pieza No. 906300
 Model / Modèl / Modelo CF325IM
 Part No. / No de pièce / Pieza No. 905800

TORQUE VALUES

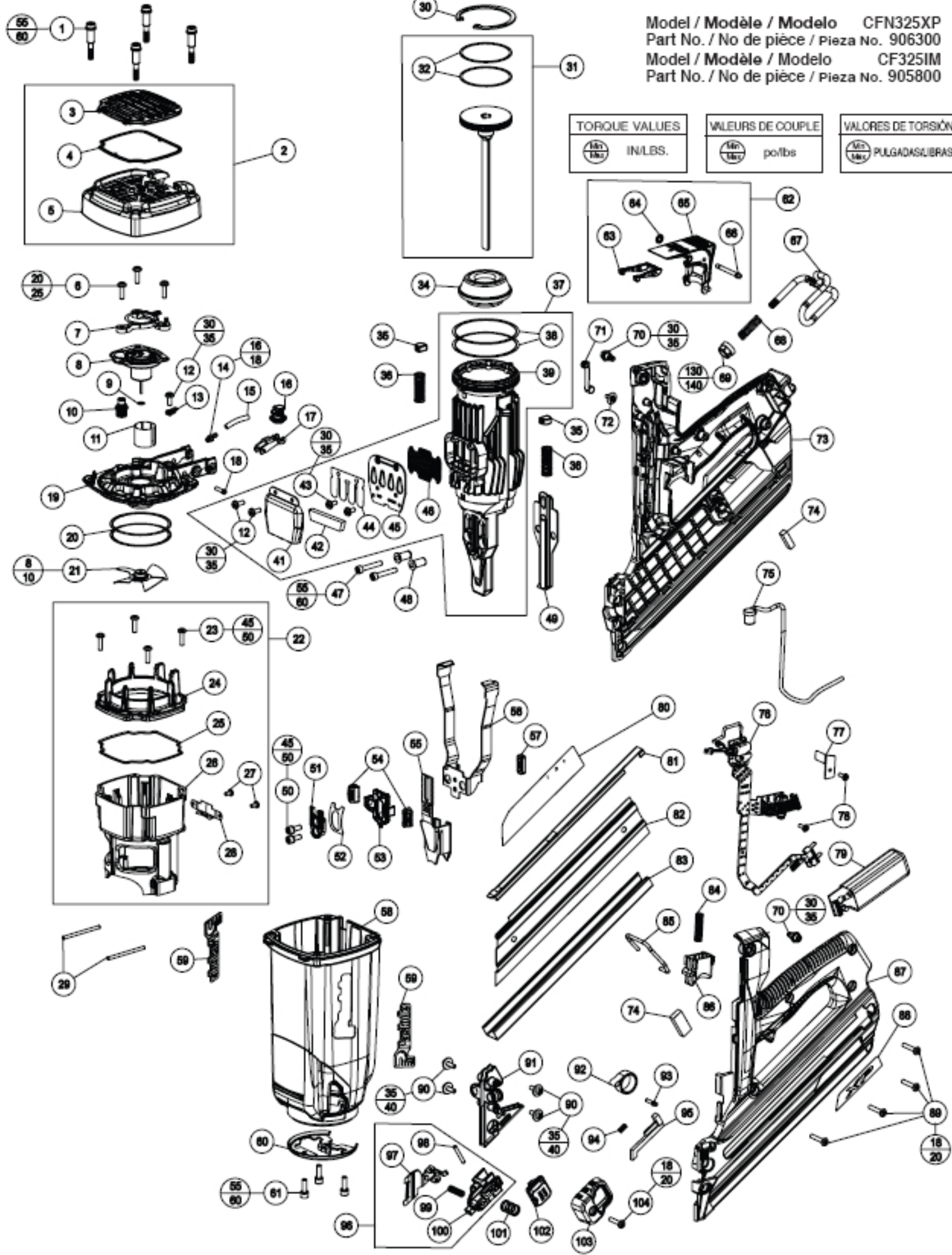
$\frac{Min}{Max}$ IN./LBS.

VALEURS DE COUPLE

$\frac{Min}{Max}$ po/lbs

VALORES DE TORSIÓN

$\frac{Min}{Max}$ PULGADASLIBRAS



PARTS LEGEND

PASLODE CORDLESS FRAMING NAILER, 906300, 905800

Item #	Part #	Qty	Description	Item #	Part #	Qty	Description
1	901063	4	Shoulder Screw 10-24 x 1-1/2	55	902225	1	Lower Probe
2	906310	1	Cap Assembly	56	901249	1	Upper Probe
3	906305	1	Grille	57	401380	1	Tie Bar
4	900315	1	Filter	58	906301	1	Housing
5	906304	1	Cap	59	906311	2	Paslode Label
6	900902	3	Screw Thread Forming Sems 8-32 x 5/8	60	902240	1	Retainer Ring, Sleeve
7	902637	1	Limiter	▲ 61	900593	3	S.H.C.S. Sems 10-24 x 5/8
8	902644	1	Fan Motor Assembly, includes Motor Mount	62	902295	1	Fuel Door Assembly
9	900488	1	Washer, Motor Shaft	63	902210	1	Fuel Dosing Lever
10	900286	1	Spark Plug Assembly, includes O-Ring	64	902235	1	Retaining Ring, Fuel Door
11	401356	1	Motor Sleeve	65	902209	1	Fuel Door
12	900596	3	Screw Thread Forming Sems 8-32 x 7/16	66	902230	1	Pin, Fuel Door
13	404453	1	Bracket, Cylinder Head	67	902237	1	Utility Hook
14	904517	1	Fuel Barb	68	902238	1	Utility Hook Spring
→ 15	904546	1	Fuel Tube	69	902227	1	Utility Hook Button
16	905606	1	Fuel Block (USA) (Canada)	70	901222	2	Shoulder Screw 10-32 x 1/2
17	902211	1	Fuel Pivot Arm	71	404448	1	Roller Lever Assembly
18	902213	1	Pin, Fuel Arm Pivot	72	900597	1	Screw Thread Forming Sems 6-19 x 3/8
19	902221	1	Cylinder Head	73	906303	1	Right Handle
20	900935	2	Seal Ring	74	904571	2	Foam Pad
21	403167	1	Fan Blade Assembly	75	900478	1	Spark Plug Wire
22	902551	1	Combustion Chamber Assembly	76	905628	1	Molded Circuit Assembly
■ 23	900969	4	Torx Screw Sems 8-32 x 5/8	77	900231	1	Clip, Wire Spark Plug
24	902222	1	Combustion Chamber Ring	78	404702	2	Screw Thread Forming 6-19 x 3/8
25	900481	1	O-Ring	79	906312	1	Spark Unit Assembly
26	404407	1	Combustion Chamber	** 80A	906401	1	Warning Label (US)
■ 27	403987	2	Screw Thread Forming 6-32 x 1/4	** 80B	906452	1	Warning Label (Canada)
28	404412	1	Wear Plate, Chamber Lock	81	404436	1	Nail Channel
29	404827	2	Pin	82	902623	1	Cover Plate Magazine
30	401328	1	Retainer Ring	83	902220	1	Magazine Channel (USA) (Canada)
31	404485	1	Piston Assembly, includes rings	84	404927	1	Spring, Trigger
32	401461	2	Piston Ring	85	900269	1	Chamber Lock Bar
34	905601	1	Bumper	86	404435	1	Trigger
35	404464	2	Rubber Stop	87	906302	1	Left Handle
36	404411	2	Spring	88A	906313	1	Nameplate Label (USA)
37	905623	1	Sleeve Assembly, includes rings	88B	906403	1	Nameplate Label (Canada)
38	900934	2	Steel Ring, Sleeve	89	900453	4	Screw Plastite 8-16 x 7/8
39	905602	1	Sleeve	■ 90	900594	4	S.H.C.S. Sems 8-32 x 1/2
41	404423	1	Muffler Cover	91	906320	1	Shear Block (USA) (Canada)
42	404422	1	Muffler	92	900520	1	Follower Bushing Spring Assembly
43	900595	2	Torx Screw Sems 8-32 x 3/8	93	403986	1	Spring Pin
44	404424	1	Reed Valve	94	404457	1	Spring, Lockout Bar
45	404425	1	Reed Plate	95	404451	1	Lockout Bar
46	404426	1	Exhaust Baffle	96	906335	1	Internal Follower Assembly
47	403816	2	S.H.C.S. 10-24 x 1-1/8	97	906330	1	Follower Claw
48	404445	2	Bushing, Shear Block	98	906337	1	Roll Pin, Follower
49	902249	1	Wear Plate, Nose	99	502020	1	Spring, Follower Claw
50	900592	2	S.H.C.S. Sems 10-32 x 1/2	100	906333	1	Internal Follower Guide
51	901241	1	Stop, Cage	101	906336	1	Spring, Follower Button
52	901238	1	Spring, Flat	102	906331	1	Follower Button
53	902619	1	Probe Release	103	906332	1	External Follower Guide
54	902620	2	Button, Probe Release	104	901066	1	Screw Plastite 8-16 x 3/4

** Make sure Warning Label (902608 USA) or (904801 Canada) is properly affixed.

Replace if necessary.

▲ Apply Loctite 242 (Blue) Part No. 093500.

■ Apply Loctite RC-620 (Green)

→ Denotes new change.

SAFETY INSTRUCTIONS

WEAR EYE AND HEARING PROTECTION



Always wear hearing protection and eye protection devices, including side shields when operating or working in the vicinity of a tool.

WARNING

All parts must be periodically inspected and replaced if worn or broken. Failure to do this can affect the tool's operation and present a safety hazard.