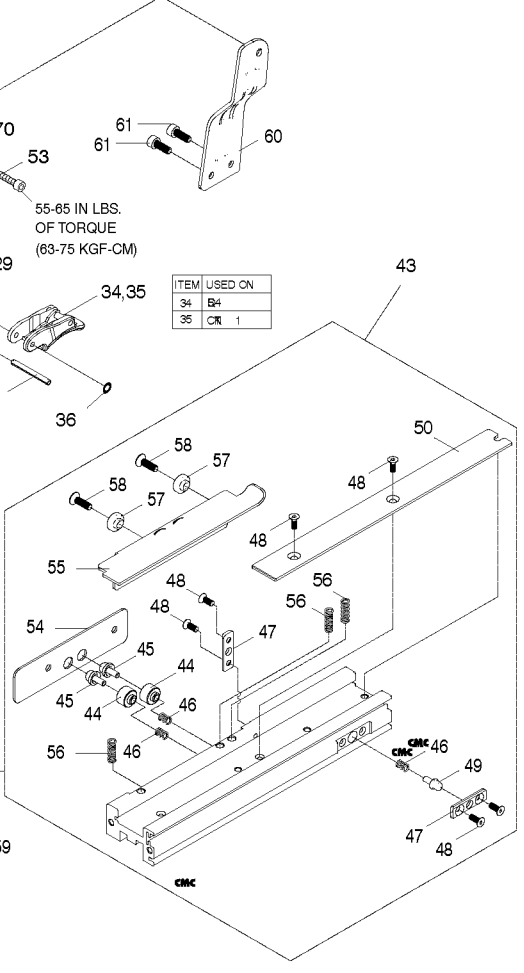
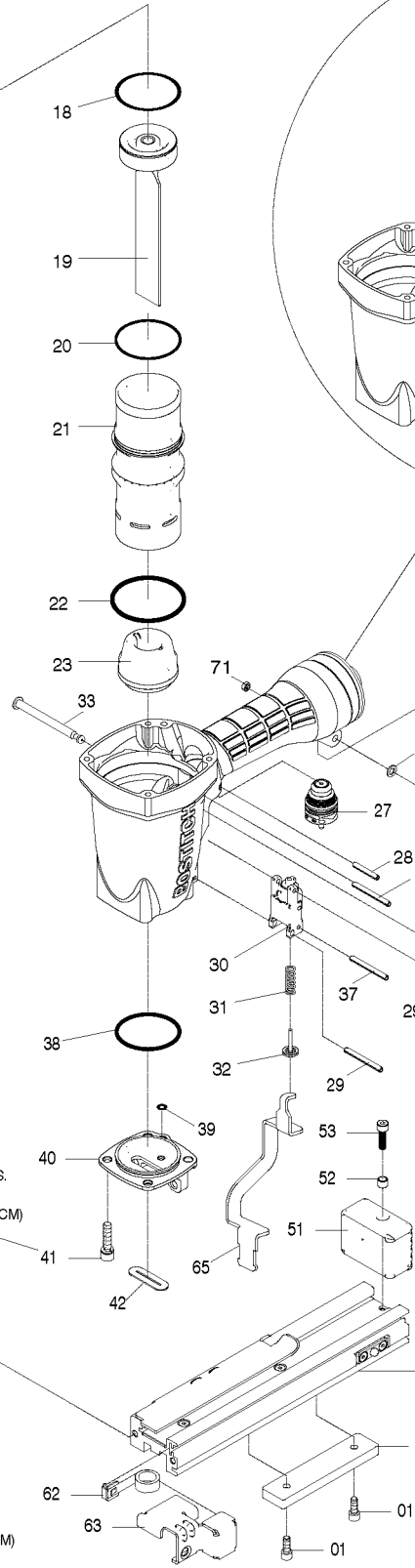
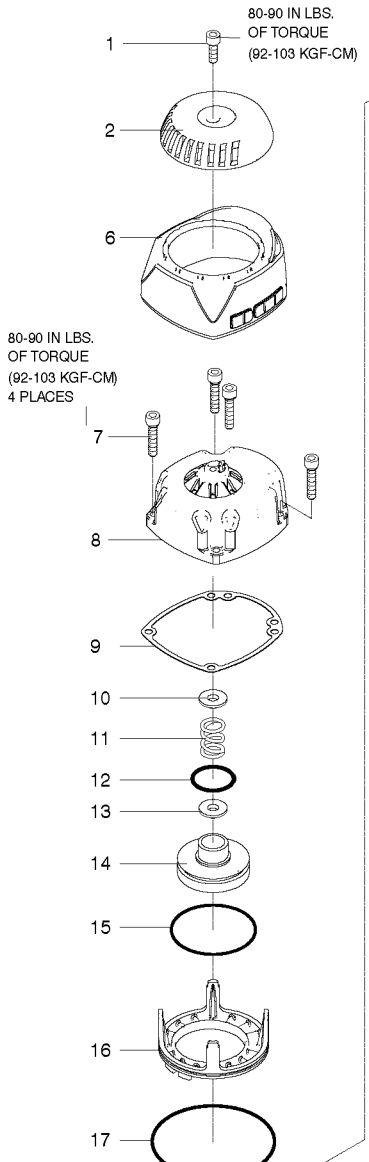
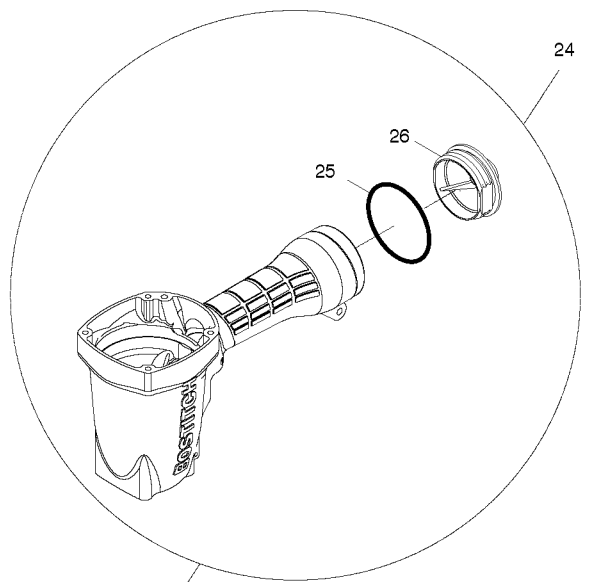
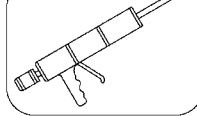
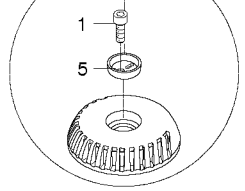
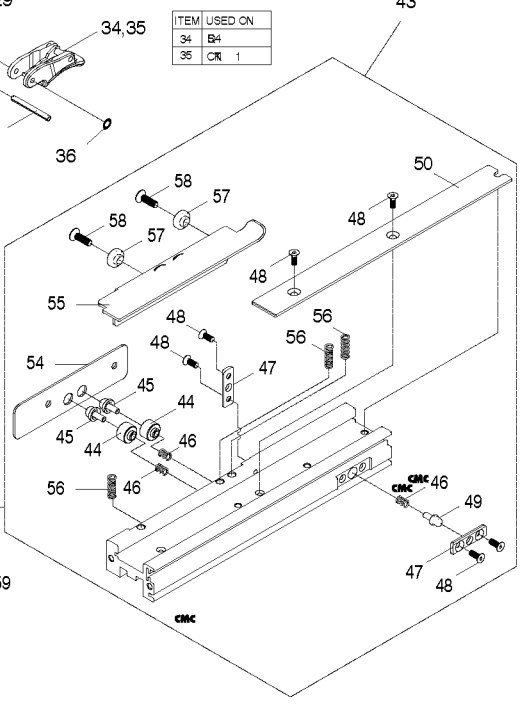
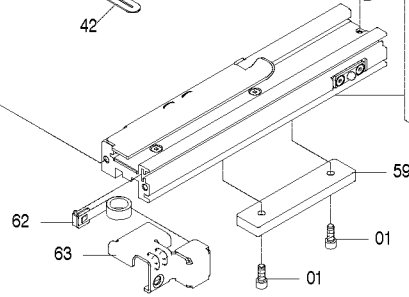
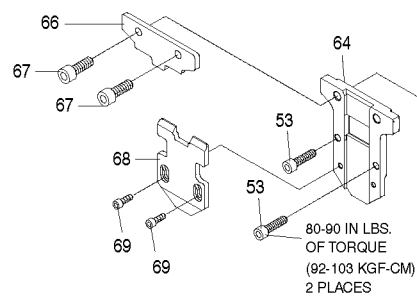


HERRIENDA CORRUGADA  
 OUTIL POUR ATTACHES ONDULÉES



ITEM	USED ON
34	B4
35	CR 1



## Parts List for CF15 Type 0

Item Number	Part Number	Description	Qty Required
1	S0110512100	HEX.SOC.HD.BOLT	3
2	P3040000400	EXHAUST COVER-PLASTI	1
3	P3040000400	EXHAUST COVER-PLASTI	1
4	P2840000166	EXHAUST COVER PLUG	1
5	P2845203162	SPACER	1
6	P2900002266	DEFLECTOR COVER	1
7	S2710525102	HEX.SOC.HD.BOLT	4
8	P2900002300	DEFLECTOR UNIT	1
9	174050	GASKET-FRAME/DEFLECT	1
10	174049	SEAL-DEFLECTOR	1
11	174051	SPRING-COMPRESSION	1
12	174053	O-RING-20.8MMX2.4MM	1
13	174052	WASHER-SPECIAL	1
14	174054	PISTON-HEAD VALVE	1
15	174055	O-RING-44.7MMX3.5MM	1
16	175556	COLLAR-CYLINDER SLEE	1
17	174056	O-RING-66.5MMX2.0MM	1
18	174060	O-RING-36.0MMX4.0MM	1
19	G0215800	DRIVER UNIT	1
20	174058	O-RING-45.5MMX2.0MM	1
21	P2902000700	CYLINDER	1
22	S06P004800	O-RING	1
23	P2900000400	BUMPER	1
24	P2840004300	ASSEMBLY-FRAME UNIT	1
25	174067	O-RING-45.7MMX2.62MM	1
26	P2840002840	END CAP	1
27	TVA6	KIT-TRIGGER VALVE	1

## Parts List for CF15 Type 0

Item Number	Part Number	Description	Qty Required
28	174070	PIN-SPRING-M3X22MM	1
29	174071	PIN-SPRING-M3X30MM	2
30	P3040000166	SAFETY GUIDE	1
31	P2325202662	SPRING	1
32	P2845203062	SPRING HOLDER	1
33	174062	STEPPED PIN	1
34	SEQ4	KIT	1
35	CNTK1	KIT-CONTACT TRIP CON	1
36	174073	O-RING	1
37	000000-00	No Longer Available	1
38	174076	O-RING	1
39	S06S000500	O-RING	1
40	P2900000265	BASE-NOSE	1
41	S2710620101	HEX.SOC.HD.BOLT	4
42	P2905201262	JOINT GUIDE	1
43	G2609500	MAGAZINE UNIT	1
44	P3215203462	BUSHING	2
45	P3215203362	LOCATIONAL BAR	2
46	P1415203362	SPRING	2
47	P3216303565	MAGAZINE PLATE	2
48	174041	SCREW-SFHCS-M4X0.7X1	6
49	P1415203262	LOCATIONAL BAR	1
50	P3215202962	STEEL CHANNEL	1
51	P3210002066	END COVER	1
52	P2842003400	BUSHING	1
53	174064	SCREW-SHCS-M5X0.8X18	1
54	P3215203662	PLATE-BUSHING	1

## Parts List for CF15 Type 0

Item Number	Part Number	Description	Qty Required
55	P3216303165	MAGAZINE COVER	1
56	P2855200562	SPRING	3
57	P3215203062	BUSHING	2
58	S0310516100	HEX.SOC.FT.HD.SCREW	2
59	P3216302165	PLATE BALANCE	1
60	P3046300365	TAIL HANGER	1
61	188625	SCREW M5X.8X14 SHCS	2
62	G2800400	SPRING UNIT	1
63	P3216302865	PUSHER	1
64	P3210000265	DRIVER GUIDE	1
65	186019	CONTACT-ARM	1
66	P3216301165	DRIVER GUIDE COVER B	1
67	S0110622100	HEX.SOC.HD.BOLT	2
68	P3216301265	DRIVER GUIDE COVER A	1
69	MSC4070-10	SCREW-SHCS-M4X0.70X1	2
70	S05105101000	FLAT WASHER	1
71	174065	NUT-NYLON LOCK-M5X0.	1
800	100653	LUBE (2CC)	1
800	100679	LUBE (1LB.CAN)	1