

## Cordless Circular Saw - 3 601 F6H 011 - CCS 180

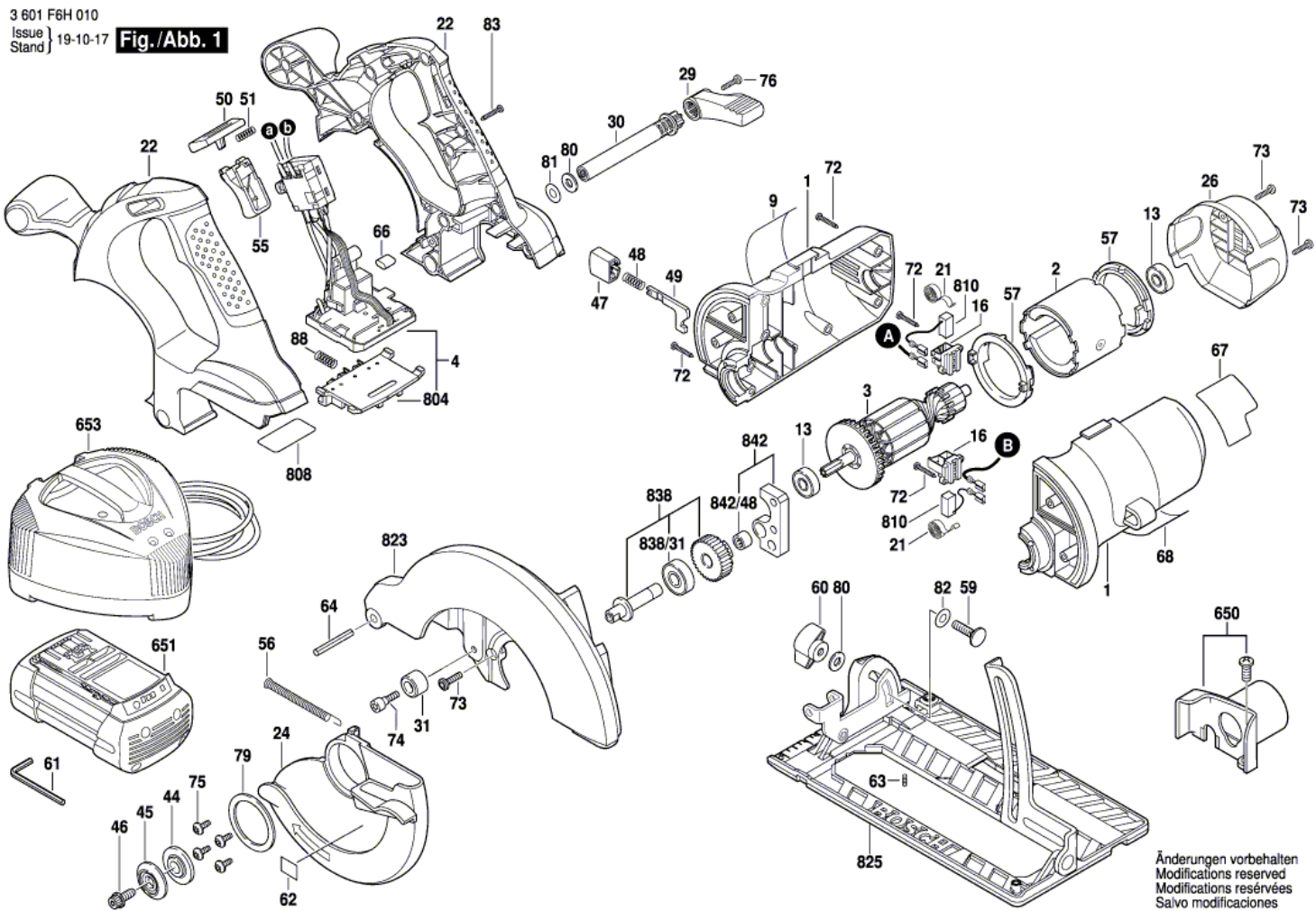
www.powertools-aftersaleservice.com



**BOSCH**

Item	Part Number	Description	Illustration	Price	Quantity	Price Group
1	2 610 930 648	Motor Housing BLUE	1	-,-	1	31
2	2 610 942 109	Pole housing 14;4-24V	1	-,-	1	30
3	1 619 P01 902	Armature 7/35 DC 18V-RECHTSLAUF	1	-,-	1	39
4	1 607 233 334	Electronics Module	1	-,-	1	41
9	2 610 955 165	Warning Label CCS180	1	-,-	1	-
13	2 610 351 861	Ball Bearing	1	-,-	2	23
16	2 610 934 990	Brush Holder	1	-,-	2	14
21	1 619 P14 306	Spiral Spring	1	-,-	2	15
22	1 619 P14 615	Handle BLUE	1	-,-	1	31
24	2 610 930 652	Lower guard BLACK	1	-,-	1	30
26	2 610 955 162	End cap BLACK	1	-,-	1	17
29	2 610 935 249	Adjusting Lever	1	-,-	1	11
30	1 600 A01 1KY	Adjustment rod	1	-,-	1	13
31	1 619 P01 532	End stop	1	-,-	1	11
44	2 610 997 473	Inner Disc	1	-,-	1	14
45	2 610 940 969	Special Washer	1	-,-	1	-
46	2 610 935 247	Flange Bolt	1	-,-	1	11
47	2 610 935 245	Push-Button	1	-,-	1	10
48	2 610 936 576	Compression Spring	1	-,-	1	10
49	2 610 935 246	Locking Pin	1	-,-	1	14
50	2 610 955 167	Locking Slide	1	-,-	1	11
51	2 610 935 251	Compression Spring	1	-,-	2	11
55	2 610 942 930	Trigger	1	-,-	1	12
56	2 610 947 075	Extension Spring	1	-,-	1	13
57	2 610 942 931	Locating Ring	1	-,-	2	12
59	2 910 281 203	Round-Head Bolt DIN 603-M6x25	1	-,-	1	13
60	2 610 936 575	Knob BLACK	1	-,-	1	11
61	2 610 937 464	Hexagon Socket Wrench	1	-,-	1	11
62	2 610 997 925	Warning Plate	1	-,-	1	-
63	2 610 001 398	Adjusting Screw	1	-,-	1	10
64	2 917 761 253	Slotted Spring Pin ISO 8752-6x36-A-ST	1	-,-	1	10
66	2 610 937 452	Set ring	1	-,-	1	10
67	2 610 957 983	Warning Label	1	-,-	1	-

Item	Part Number	Description	Illustration	Price	Quantity	Price Group
68	2 610 957 984	Warning Label	1	-,-	1	-
72	2 603 490 018	Torx Oval-Head Screw 3x18	1	-,-	13	10
73	2 603 490 022	Screw 4x16	1	-,-	6	10
74	2 610 937 508	Shoulder Screw	1	-,-	1	10
75	2 914 201 503	Oval-Head Screw A 4x12-10,9-D	1	-,-	4	10
76	2 610 957 469	Hex Socket Head Cap Screw	1	-,-	1	10
79	2 610 386 556	Washer	1	-,-	1	11
80	2 916 011 111	Plain Washer	1	-,-	2	13
81	2 916 190 012	Shim ring DIN 988-6x12x0,5	1	-,-	1	10
82	2 610 945 804	Washer	1	-,-	1	10
83	2 610 315 386	Screw ST3,9x19	1	-,-	10	11
88	2 604 690 055	Compression Spring	1	-,-	1	10
650	2 610 953 099	Dust Extraction	1	-,-	1	14
651	2 607 336 819	Battery Pack USA BAT620 18V 4,0Ah	1	-,-	1	51
653	2 607 225 927	Charger USA BC 1880 CV 13,3-18V/120V	1	-,-	1	47
804	1 609 280 478	Contact retainer	1	-,-	1	26
808	1 618 D00 05Z	Nameplate	1	-,-	1	13
810	2 610 943 623	Carbon-Brush Set	1	-,-	1	24
823	2 610 957 973	Upper guard	1	-,-	1	35
825	2 610 955 990	Base Plate	1	-,-	1	35
838	2 610 000 765	Spindle Assembly	1	-,-	1	31
838/31	1 900 905 173	groove ball bearing 6000-2RS DIN 625	1	-,-	1	17
842	2 610 997 509	Pivot Plate	1	-,-	1	23
842/48	1 600 910 018	Needle bearing Ø8xØ12x8 MM	1	-,-	1	17



Information subject to change without further notice.