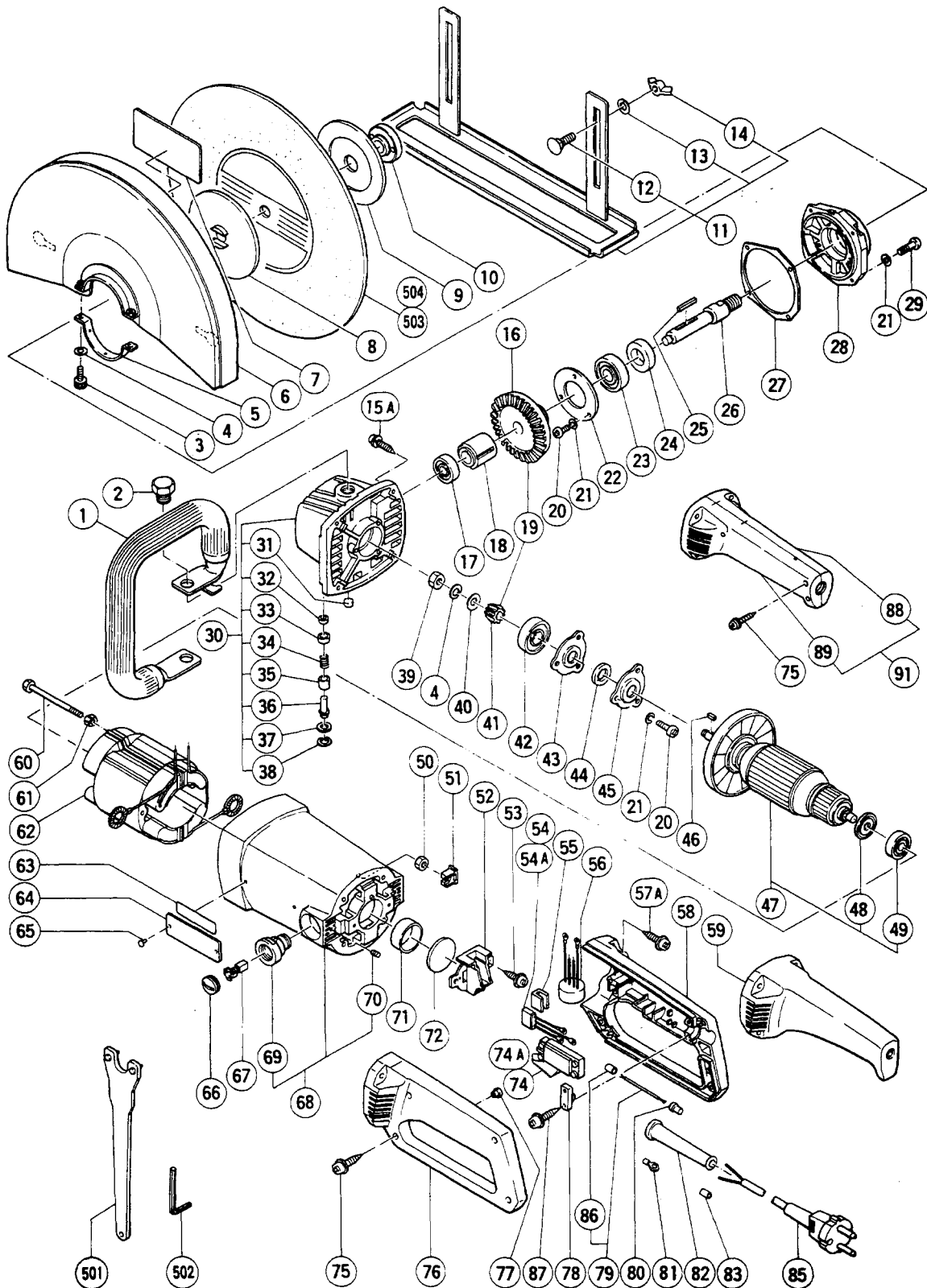


ELECTRIC TOOL PARTS LIST

■ PORTABLE CUT - OFF MACHINE
Model CC 12Y

1993 · 2 · 2
(E4)



PARTS

CC 12Y

| ITEM NO. | CODE NO. | DESCRIPTION | NO. USED | REMARKS |
|----------|----------|--------------------------------------|----------|------------------------------|
| 1 | 985-598 | PIPE HANDLE | 1 | |
| 2 | 985-597 | BOLT M14 | 2 | |
| 3 | 949-656 | HEX. SOCKET HD. BOLT M8X20 (10 PCS.) | 2 | |
| 4 | 949-457 | SPRING WASHER M8 (10 PCS.) | 3 | |
| 5 | 985-599 | SET RING (A) | 1 | |
| 6 | 985-594 | WHEEL GUARD | 1 | |
| 7 | 985-604 | LABEL | 1 | |
| * 8 | 985-601 | WHEEL WASHER (D14/22) | 1 | |
| * 8 | 985-600 | WHEEL WASHER (D16/25.4) | 1 | FOR USA,CAN,AUS |
| 9 | 985-593 | INNER WASHER | 1 | |
| * 10 | 937-909Z | WHEEL NUT M14X2 | 1 | |
| * 10 | 937-923P | WHEEL NUT 5/8" - 11UNC | 1 | FOR USA,CAN,AUS |
| 11 | 985-595 | BASE ASS'Y | 1 | INCLUD.12 - 14 |
| 12 | 985-596 | BOLT (SQUARE) M8 | 2 | |
| 13 | 949-433 | BOLT WASHER M8 (10 PCS.) | 2 | |
| 14 | 949-312 | WING NUT M8 (10 PCS.) | 2 | |
| 15A | 937-807 | TAPPING SCREW D5X25 | 4 | |
| 16 | 985-591 | GEAR | 1 | |
| 17 | 620-0VV | BALL BEARING 6200VVCMP2S | 1 | |
| 18 | 938-096 | SLEEVE | 1 | |
| 19 | 985-590 | GEAR ASS'Y | 1 | INCLUD.16,41 |
| 20 | 949-236 | MACHINE SCREW M5X10 (10 PCS.) | 6 | |
| 21 | 949-454 | SPRING WASHER M5 (10 PCS.) | 10 | |
| 22 | 937-035 | BEARING COVER (B) | 1 | |
| 23 | 630-2VV | BALL BEARING 6302VVCMP2S | 1 | |
| 24 | 938-099 | FELT PACKING (B) | 1 | |
| 25 | 948-920 | FEATHER KEY 4X4X30 | 1 | |
| * 26 | 985-614 | SPINDLE | 1 | M14X2 |
| * 26 | 985-615 | SPINDLE | 1 | 5/8" - 11UNC FOR USA,CAN,AUS |
| 27 | 937-901 | SEAL PACKING (B) | 1 | |
| 28 | 937-902 | PACKING GLAND | 1 | |
| 29 | 949-239 | MACHINE SCREW M5X16 (10 PCS.) | 4 | |
| 30 | 938-187 | GEAR COVER ASS'Y | 1 | INCLUD.31 - 38 |
| 31 | 937-033 | FELT WASHER | 1 | |
| 32 | 938-599 | FELT PACKING (C) | 1 | |
| 33 | 938-598 | BUSHING | 1 | |
| 34 | 938-597 | SPRING | 1 | |
| 35 | 938-596 | RING | 1 | |
| 36 | 938-186 | LOCK PIN | 1 | |
| 37 | 938-595 | DUST SEAL | 1 | |
| 38 | 948-011 | RETAINING RING FOR D16 HOLE | 1 | |
| 39 | 949-568 | LOCK NUT M8 (10 PCS.) | 1 | |
| 40 | 949-426 | WASHER M8 (10 PCS.) | 1 | |
| 41 | 985-592 | PINION | 1 | |
| 42 | 630-1VV | BALL BEARING 6301VVCMP2S | 1 | |
| 43 | 937-940 | DISTANCE PLATE | 1 | |
| 44 | 936-853 | FELT PACKING (A) | 1 | |
| 45 | 937-896 | BEARING COVER (A) | 1 | |
| 46 | 940-533 | FEATHER KEY 3X3X10 | 1 | |
| * 47 | 985-602U | ARMATURE ASS'Y 110V - 127V | 1 | INCLUD.42,48,49 |
| * 47 | 985-602E | ARMATURE ASS'Y 220V - 240V | 1 | INCLUD.48,49 |

*: ALTERNATIVE PARTS

PARTS

CC 12Y

| ITEM NO. | CODE NO. | DESCRIPTION | NO. USED | REMARKS |
|----------|----------|--|----------|-------------------------------------|
| 48 | 955-260 | DUST SEAL (A) | 1 | |
| 49 | 620-0VV | BALL BEARING 6200VVCMP2S | 1 | |
| 50 | 949-555 | NUT M5 (10 PCS.) | 2 | |
| 51 | 937-892 | NUT COVER | 2 | |
| * 52 | 937-905 | BEARING COVER | 1 | |
| * 52 | 937-926Z | BEARING COVER | 1 | FOR NZL |
| 53 | 930-446 | TAPPING SCREW (W/WASHER) D4X16 | 3 | |
| * 54 | 960-283Z | NOISE SUPPRESSOR | 1 | FOR SU |
| * 54A | 994-273 | NOISE SUPPRESSOR | 1 | |
| * 55 | 930-153 | SUPPORT (B) | 1 | FOR AUT,GBR,FRG,FRA,HOL,DEN,SWE,NOR |
| * 56 | 500-323 | CHOKE COIL | 1 | FOR NZL |
| 57A | 985-620 | TAPPING SCREW (W/FLANGE) D5X25 | 4 | |
| * 58 | 981-005 | HANDLE (A) | 1 | D HANDLE TYPE |
| * 59 | 981-686P | HANDLE (C) | 1 | BAR HANDLE TYPE FOR USA,CAN |
| 60 | 937-925 | BOLT (+HD.) M5X80 | 2 | |
| 61 | 956-764 | SPECIAL WASHER | 2 | |
| * 62 | 937-941A | STATOR 110V | 1 | |
| * 62 | 937-941E | STATOR ASS'Y 220V - 230V | 1 | |
| * 62 | 937-941F | STATOR ASS'Y 240V | 1 | |
| * 62 | 981-682D | STATOR ASS'Y 110V - 127V | 1 | FOR USA,CAN |
| * 63 | | CAUTION PLATE | 1 | |
| * 64 | | NAME PLATE | 1 | |
| 65 | 949-510 | RIVET D2.5X4.8 (10 PCS.) | 2 | |
| * 66 | 940-540 | BRUSH CAP | 2 | |
| * 66 | 937-949 | BRUSH CAP | 2 | FOR AUT |
| 67 | 999-044 | CARBON BRUSH (1 PAIR) | 2 | |
| 67 | 937-943Z | CARBON BRUSH (AUTO STOP TYPE) (1 PAIR) | 2 | |
| * 68 | 985-612 | HOUSING ASS'Y | 1 | INCLUD.69,70 |
| * 68 | 985-613 | HOUSING ASS'Y | 1 | INCLUD.69,70 FOR AUT |
| * 69 | 980-487 | BRUSH HOLDER | 2 | |
| * 69 | 937-948 | BRUSH HOLDER | 2 | FOR AUT |
| 70 | 961-681 | HEX. SOCKET SET SCREW M4X5 | 2 | |
| 71 | 937-894 | BEARING BUSHING | 1 | |
| 72 | 937-946 | BEARING SEAL | 1 | |
| * 74 | 500-339 | SWITCH (2P SCREW TYPE) W/LOCK | 1 | FOR NZL |
| * 74 | 937-985Z | SWITCH (2P PILLAR TYPE) W/SAFETY LOCK | 1 | FOR SWE |
| * 74 | 981-685P | SWITCH (2P SCREW TYPE) W/O LOCK | 1 | FOR USA,CAN |
| * 74A | 981-532 | SWITCH (2P PILLAR TYPE) W/LOCK | 1 | |
| * 75 | 956-636 | TAPPING SCREW (W/WASHER) D4X25 | 4 | |
| * 75 | 982-095 | TAPPING SCREW (W/WASHER) D4X20 | 3 | FOR SWE |
| * 76 | 981-006 | HANDLE (B) | 1 | D HANDLE TYPE |
| * 77 | 943-736 | PACKING | 1 | |
| * 78 | 960-266 | CORD CLIP | 1 | |
| * 78 | 937-904 | CORD CLIP | 1 | FOR USA,CAN |
| * 79 | 937-939Z | INTERNAL WIRE ASS'Y | 2 | INCLUD.86 |
| * 80 | 959-141 | CONNECTOR 50092 (10 PCS.) | 2 | |
| * 81 | 938-108 | TERMINAL | 1 | FOR AUT,GBR,FRG,FRA,HOL,DEN,SWE,NOR |
| * 81 | 930-804 | TERMINAL M4.0 (10 PCS.) | 2 | FOR NZL |
| * 81 | 959-144 | TERMINAL 50051 (10 PCS.) | 2 | FOR NZL |
| * 82 | 958-049Z | CORD ARMOR D8.2 | 1 | |
| * 82 | 940-778 | CORD ARMOR D10.7 | 1 | |

*: ALTERNATIVE PARTS

PARTS

CC 12Y

| ITEM NO. | CODE NO. | DESCRIPTION | NO. USED | REMARKS |
|----------|----------|--------------------------------|----------|--|
| * 83 | 981-373 | TUBE (D) | 2 | FOR SYR |
| * 85 | 500-214Z | CORD | 1 | (CORD ARMOR D10.7) |
| * 85 | 500-223Z | CORD | 1 | (CORD ARMOR D10.7) FOR SIN,KUW |
| * 85 | 500-234Z | CORD | 1 | (CORD ARMOR D8.2) FOR INA,SUR |
| * 85 | 500-236Z | CORD | 1 | (CORD ARMOR D8.2) FOR NZL |
| * 85 | 500-242Z | CORD | 1 | (CORD ARMOR D10.7) FOR USA,CAN |
| * 85 | 500-245Z | CORD | 1 | (CORD ARMOR D10.7) FOR SYR |
| * 85 | 500-246Z | CORD | 1 | (CORD ARMOR D10.7) FOR GBR |
| * 85 | 500-247Z | CORD | 1 | (CORD ARMOR D10.7) FOR ITA,FRG,FRA, HOL,DEN,SWE,AUT,NOR |
| * 85 | 500-248Z | CORD | 1 | (CORD ARMOR D10.7) FOR SUI |
| * 85 | 500-411Z | CORD | 1 | (CORD ARMOR D10.7) FOR AUS |
| * 86 | 981-373 | TUBE (D) | 2 | |
| * 87 | 930-446 | TAPPING SCREW (W/WASHER) D4X16 | 2 | |
| * 87 | 949-218 | MACHINE SCREW M4X14 (10 PCS.) | 2 | FOR USA,CAN |
| * 87 | 949-453 | SPRING WASHER M4 (10 PCS.) | 2 | FOR USA,CAN |
| * 88 | 937-986 | BAR HANDLE (A) | 1 | FOR SWE,FRA,DEN |
| * 89 | 937-987 | BAR HANDLE (B) | 1 | FOR SWE,FRA,DEN |
| * 91 | 937-990 | BAR HANDLE ASS'Y | 1 | INCLUD.88,89 FOR SWE,FRA,DEN |
| | | | | |
| | | | | |
| | | | | |
| | | | | |
| | | | | |

STANDARD ACCESSORIES

| ITEM NO. | CODE NO. | DESCRIPTION | NO. USED | REMARKS |
|----------|----------|---|----------|-----------------|
| 501 | 985-607 | WRENCH | 1 | |
| 502 | 872-422 | HEX. BAR WRENCH 6MM | 1 | |
| * 503 | 985-609 | CUT - OFF WHEEL FOR METAL D22 (10 PCS.) | 1 | |
| * 503 | 985-608 | CUT - OFF WHEEL FOR METAL D25.4 (10 PCS.) | 1 | FOR USA,CAN,AUS |
| * 504 | 985-611 | CUT - OFF WHEEL FOR STONE D22 (10 PCS.) | 1 | |
| * 504 | 985-610 | CUT - OFF WHEEL FOR STONE D25.4 (10 PCS.) | 1 | FOR USA,CAN,AUS |
| | | | | |
| | | | | |
| | | | | |

OPTIONAL ACCESSORIES

| ITEM NO. | CODE NO. | DESCRIPTION | NO. USED | REMARKS |
|----------|----------|--|----------|------------------------------|
| 601 | 937-915 | THRUST WASHER (B) | 2 | |
| * 602 | 985-618 | DIAMOND WHEEL (SEGMENT) 305MMXD22.2 HOLE | 1 | SEGMENT TYPE FOR CONCRETE |
| * 603 | 985-619 | DIAMOND WHEEL (SEGMENT) 305MMXD22.2 HOLE | 1 | WAVE SHAPE TYPE FOR CONCRETE |
| * 604 | 306-433 | DIAMOND WHEEL (SEGMENT) 305MM - D25.4 HOLE | 1 | SEGMENT TYPE FOR CONCRETE |
| * 605 | 306-434 | DIAMOND WHEEL (SEGMENT) 305MM - D25.4 HOLE | 1 | WAVE SHAPE TYPE FOR CONCRETE |
| | | | | |

* : ALTERNATIVE PARTS