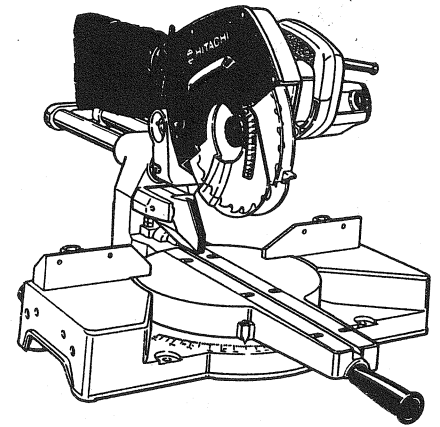
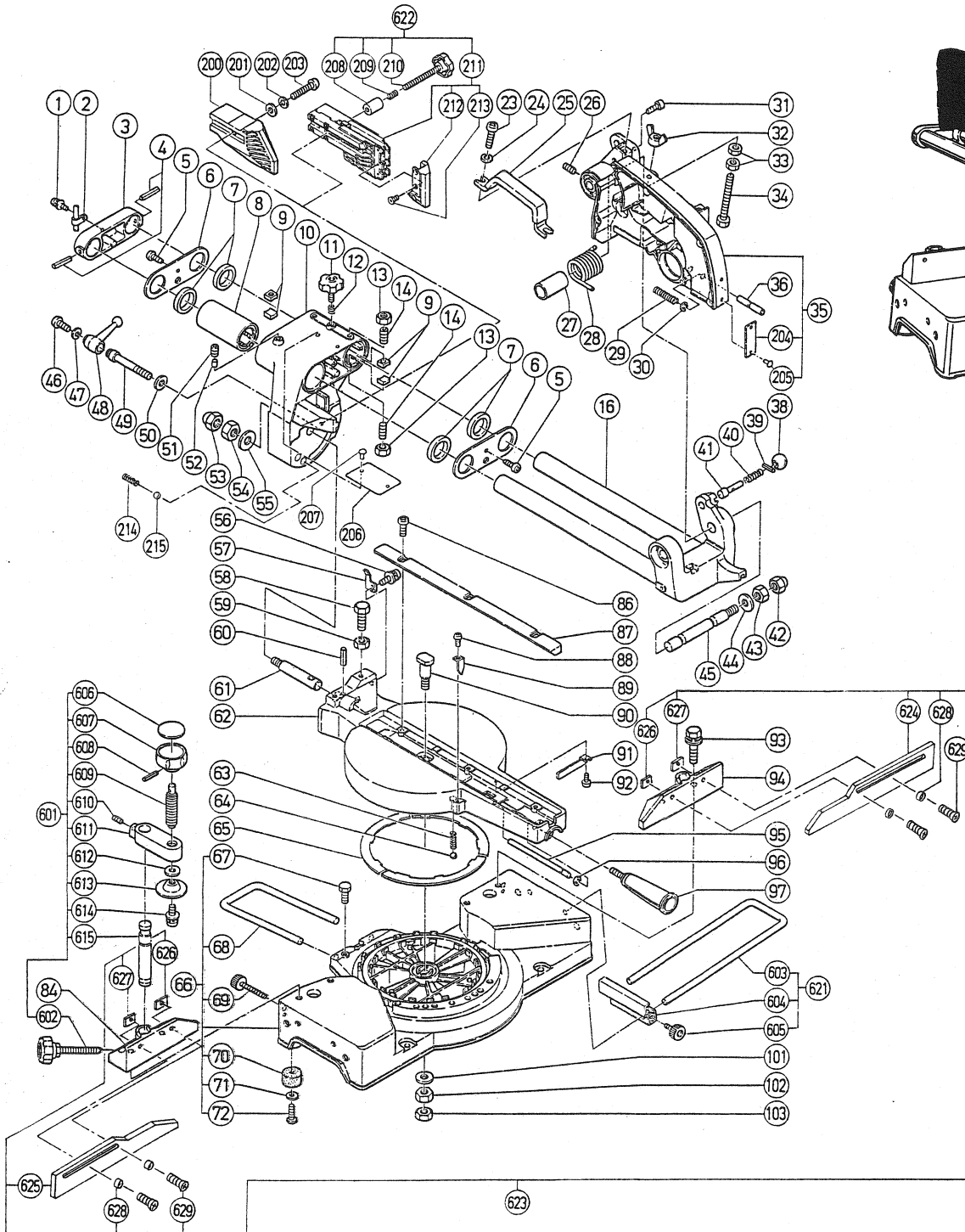


Breakdowns are on our web site:
www.hitachipowertools.com



IMPORTANT-To assure product SAFETY and RELIABILITY, repairs, maintenance or adjustments should be performed by HITACHI Service Centers or other qualified service organizations. Always use HITACHI replacement parts.

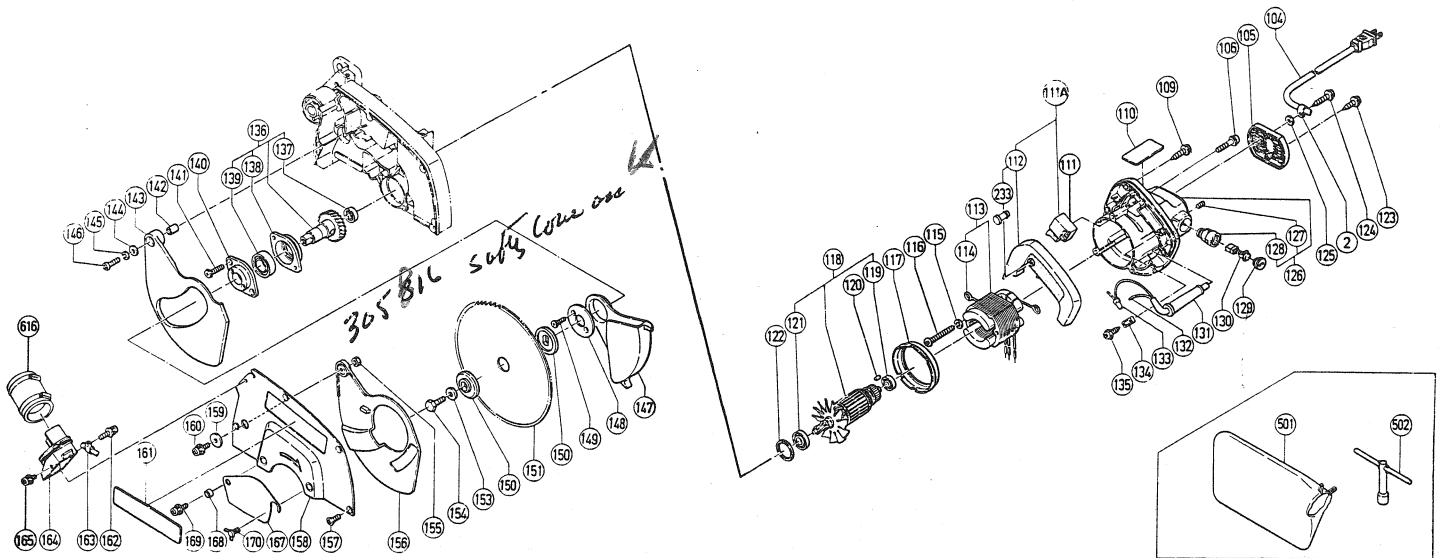


HITACHI

SLIDE COMPOUND SAW

Model C 8FB

ITEM NO.	PART NO.	NO. USED	DESCRIPTION	SUPPLY Q'TY	ITEM NO.	PART NO.	NO. USED	DESCRIPTION	SUPPLY Q'TY
1	993539	1	Machine Screw M4×16 (w / Washer, Spring Washer)		69	998843	2	Knob Bolt M6×52	
2	948193	2	Nylon Clip		70	964851	5	Base Rubber	
3	996232	1	Support		71	949431	5	Washer D5	10
4	949686	2	Roll Pin D6×40	10	72	949241	5	Machine Screw M5×20	10
5	949237	2	Machine Screw M5×12	10	84	998817	1	Fence (B)	
6	996227	2	Packing Cover		86	949258	6	Machine Screw M6×20	10
7	996226	4	Felt		87	998818	2	Table Insert	
8	998825	1	Ball Bush		88	949216	1	Machine Screw M4×10	10
9	996223	4	Bush		89	977587	1	Indicator	
10	998822	1	Holder (A)		90	998813	1	Shaft	
11	996225	1	Knob Bolt M8		91	998814	1	Spacer	
12	996224	1	Lock Spring		92	949216	1	Machine Screw M4×10	10
13	949568	4	Nut M8	10	93	996215	4	Bolt M8×35 (w / Washer, Spring Washer)	
14	974500	4	Set Screw M8×16	10	94	998816	1	Fence (A)	
16	998827	1	Hinge 312 695		95	998815	1	Shaft	
23	949789	2	Machine Screw M8×25	10	96	974577	1	Retaining Ring D7	
24	949457	2	Spring Washer M8	10	97	976805	1	Side Handle	
25	998855	1	Handle		101	967115	1	Washer (T)	
26	975345	2	Set Screw M6×15		102	949561	1	Nut M12	10
27	996276	1	Sleeve		103	949574	1	Lock Nut M12	10
28	996234	1	Spring		104	500241Z	1	Cord	
29	998852	1	Spring		105	996254	1	Tail Cover	
30	974577	1	Retaining Ring D7		106	997841	3	Machine Screw M5×50 (w / Washer, Spring Washer)	
31	949819	1	Socket Bolt M5×10	10	109	988889	3	Tapping Screw D4×25	
32	949312	1	Wing Nut M8	10	110	—	1	Nameplate	
33	949558	2	Nut M8	10	111	998839	1	Switch	
34	952013	1	Bolt M8×100		111 A	998986	1	Switch and Handle Cover set (Includes Item No. 112)	
35	998856	1	Gear Case Assembly (includes Item No. 204, 205)		112	998985	1	Handle Cover Assembly (include Item No. 233)	
36	974576	1	Stopper Pin		113	340108G	1	Stator Assembly (includes Item No. 114)	
38	967896	1	Grip		114	975884	2	Brush Terminal	
39	949539	1	Roll Pin D3×25	10	115	949454	2	Spring Washer D5	10
40	948363	1	Gauge Spring		116	940082	2	Machine Screw M5×60	
41	988874	1	Set pin		117	996253	1	Fan Guide (B)	
42	998821	1	Cap Nut M12		118	360072G	1	Armature Assembly (includes Item No. 199, 121)	
43	949561	1	Nut M12	10	119	608VVM	1	Ball Bearing 608VVMC2EPS2L (old #939291)	
44	949437	1	Bolt Washer D12	10	120	976301	1	Bearing Lock	
45	996235	1	Hinge Shaft		121	6001VV	1	Ball Bearing 6001VVCMP2L (old #957564)	
46	949255	1	Machine Screw M6×12	10	122	996252	1	Rubber Ring	
47	949455	1	Spring Washer D6	10	123	996255	1	Tapping Screw D4×20 (w / Washer)	
48	996219	1	Clamp Lever		124	988889	1	Tapping Screw D4×25 (w / Washer)	
49	996218	1	LH Bolt M10		125	976448	1	Washer (B)	
50	967240	1	Washer (I)		126	996269	1	Housing Assembly (includes item No. 127, 128)	
51	966458	1	Set Screw M8×8		127	966426	2	Screw M5×6	
52	976301	1	Bearing Lock		128	996270	2	Brush Holder	
53	998821	1	Cap Nut M12		129	996259	2	Brush Cap	
54	949561	1	Nut M12	10	130	999043	2	Carbon Brush	2
55	949437	1	Washer D12	10	131	994565	1	Cord Armor	
56	988899	1	Screw M6×10 (w / Washer, Spring Washer)		132	988894	1	Tube (D)	
57	996220	1	Indicator		133	959140	1	Connector	10
58	949626	2	Bolt M8×25	10	134	994566	1	Cord Clip	
59	949568	2	Lock Nut M8	10	135	995062	1	Tapping Screw D4×16 (w / Washer)	
60	998820	1	Slotted Pin D8×30		136	998837	1	Spring Assembly (includes item Nos. 137~139)	
61	998819	1	Holder Shaft						
62	998812	1	Turn Table						
63	967150	1	Spring (C)						
64	959153	1	Steel Ball D12.7	10					
65	998811	3	Liner						
66	998983	1	Base Assembly (includes Item Nos. 67~72)						
67	949613	1	Bolt M6×16	10					
68	998844	1	Holder						



ITEM NO.	PART NO.	NO. USED	DESCRIPTION	SUPPLY QTY	ITEM NO.	PART NO.	NO. USED	DESCRIPTION	SUPPLY QTY
137	608VVM	1	Ball Bearing 608VVMC2EPS2L (old #939291)		208	998823	1	Sleeve	
138	996238	1	Bearing Holder		209	873923	1	Governor Sprng	
139	6004VV	1	Ball Bearing 6004VVMPS2S (old #939380)		210	998840	1	Knob Bolt M8×76	
140	996239	1	Cover Holder		211	998847	1	Guafdassembly	
141	996240	2	Flat Head Screw M5×35 (w / Washer)		212	998849	1	Guard (C)	
142	977856	1	Spacer		213	998850	6	Flathe Screw (Brass) M4×6	
143	996241	1	Safety Cover (A)		214	967150	2	Spring (C)	
144	998987	1	Washer (H)		215	959153	2	Steel Ball D12.7	10
145	949454	1	Spring Washer D5	10	233	951895	1	Lock off Button	
146	949245	1	Machine Screw M5×30	10	501	998845	1	Dust Bag	
147	996242	1	Sub Cover		502	968658	1	Box Wrench 10mm	
148	996243	1	Cover		601	998981	1	Vise and Knob Assembly (includes item Nos. 606~615)	
149	996244	2	Flat Head Screw M4×12 (w / Washer)		602	998833	1	Knob M10	
150	998838	2	Washer (C)		603	998834	2	Holder	
151	998840	1	TCT Saw Blade 8-1 / 2"×24NT×5 / 8"		604	998835	1	Stopper	
153	996257	1	Washer		605	998836	1	Knob Bolt M6×11	
154	996258	1	L. H. bolt M7		606	998832	1	Label (A)	
155	949566	1	Lock Nut M5		607	996263	1	Knob	
156	996245	1	Safety Cover (B)		608	949548	1	Roll Pin D4×25	10
157	996249	4	Flat Head Screw M5×10		609	998830	1	Screw	
158	998867	1	Saw Cover		610	996281	1	Set Screw M8×16	
159	996246	1	Washer (C)		611	998831	1	Screw Holder	
160	996247	1	Machine Screw M5×12 (w / Washer, Spring Washer)		612	949434	1	Bolt Washer D10	10
161	998842	1	HITACHI Label		613	996261	1	Vise Plate	
162	990541	1	Machine Screw M5×16		614	997314	1	Machine Screw M6×10	
163	996530	1	Nylon Clip		615	998854	1	Vise Shaft	
164	996250	1	Duct		616	998857	1	Dust Hose Adapter	
165	996274	1	Machine Screw M5×8		617	998860	1	TCT Saw Blade 8-1/2"×36NT×5/8"	
167	998869	1	Spindle Cover		618	998862	1	TCT Saw Blade 8-1/2"×60NT×5/8"	
168	998980	1	Spacer		619	998864	1	TCT Saw Blade (for alumi) 8-1/2"×60NT×5/8"	
169	996274	1	Screw M5×8		620	998865	1	Sawblade (combi) 8-1/2"×22NT×5/8"	
170	949396	1	Wing Bolt M5×8		621	998866	1	Guide Assembly (includes Item No. 603~605)	
200	998853	1	Guard		622	998984	1	Guard Assembly (A) (includes Items 208~213)	
201	949433	1	Bolt Washer D8	10	623	998988	1	Slide Fence Assembly (includes Item No. 624~629)	
202	949457	1	Spring Washer D8	10	624	998989	1	Slide Fence (A)	
203	949273	1	Machine Screw M8×30	10	625	998990	1	Slide Fence (B)	
204	—	1	Caution Plate		626	998991	2	Stopper (A)	
205	949509	2	Rivet D2.5×3.2	10	627	998992	2	Stopper (B)	
206	—	1	Caution Plate (A)		628	978993	4	Collar	
207	949510	2	Rivet D2.5×4.8	10	629	949794	4	Flat Hd. Screw M6×20	10