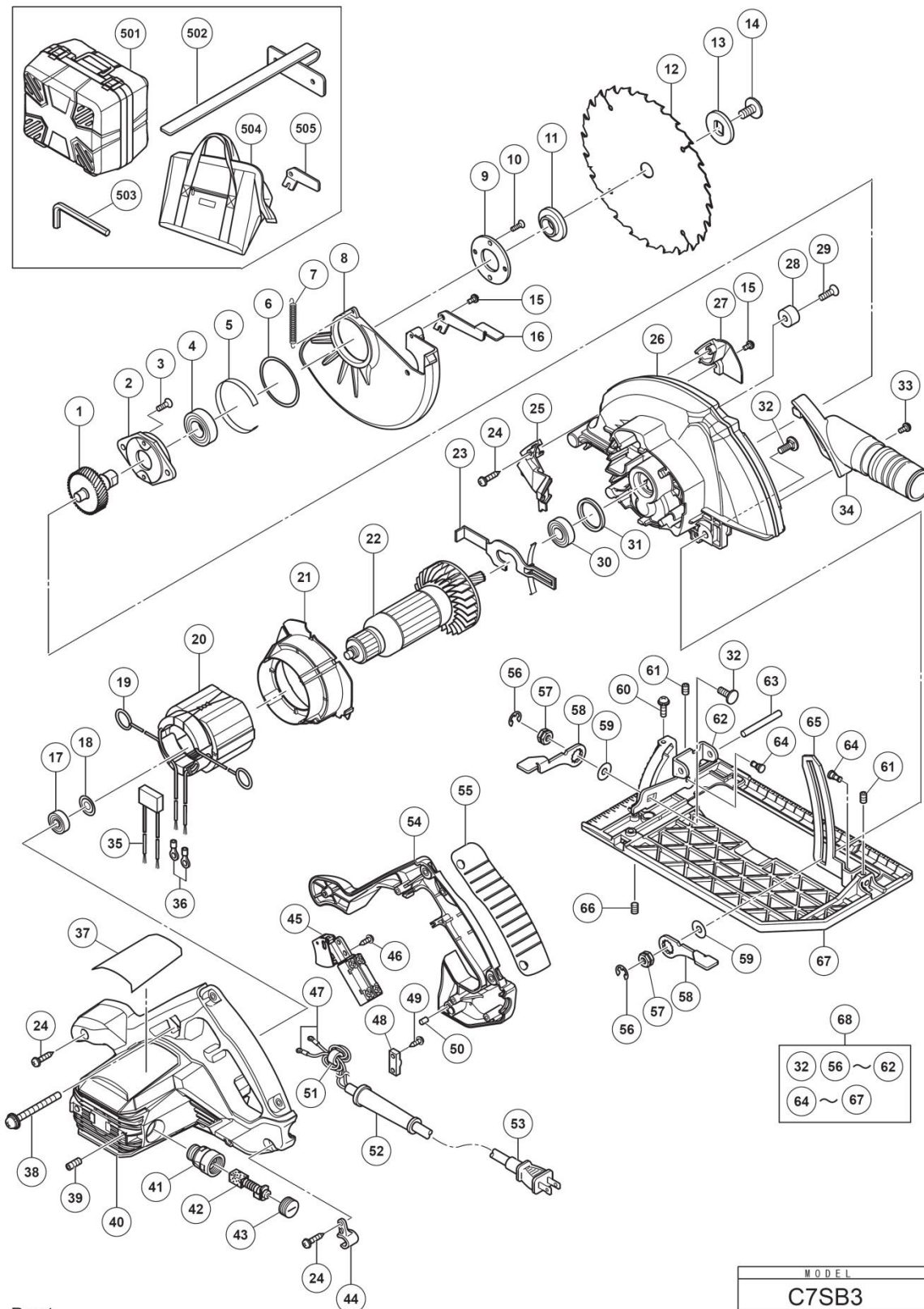


ELECTRIC TOOL PARTS LIST

■ CIRCULAR SAW
Model C 7SB3

2017 • 02 • 06
(E1a)



PARTS

C7SB3

| ITEM NO. | CODE NO. | DESCRIPTION | NO. USED | REMARKS |
|----------|----------|---|----------|----------------------------------|
| 1 | 372751 | SPINDLE AND GEAR SET | 1 | |
| 2 | 302433 | BEARING HOLDER | 1 | |
| 3 | 992013 | SEAL LOCK FLAT HD. SCREW M5X14 | 2 | |
| 4 | 6003VV | BALL BEARING 6003VVCMP2L | 1 | |
| 5 | 998887 | LINER | 1 | |
| 6 | 370591 | WASHER | 1 | |
| 7 | 373011 | RETURN SPRING | 1 | |
| 8 | 372758 | LOWER GUARD | 1 | |
| 9 | 302435 | BEARING COVER | 1 | |
| 10 | 990430 | SEAL LOCK FLAT HD. SCREW M4X10 | 2 | |
| *11 | 320970 | WASHER (A) | 1 | |
| 12 | | TCT SAW BLADE 184MM-D16 HOLE-NT24 | 1 | |
| *13 | 333555 | WASHER (B) | 1 | |
| 14 | 324662 | HEX. SOCKET HD. BOLT M8X15.5 | 1 | |
| 15 | 935196 | MACHINE SCREW (W/WASHERS) M4X12 (BLACK) | 2 | |
| 16 | 328045 | LEVER | 1 | |
| 17 | 608VVM | BALL BEARING 608VVC2PS2L | 1 | |
| 18 | 982631 | WASHER (A) | 1 | |
| 19 | 930703 | BRUSH TERMINAL | 2 | |
| *20 | 340982C | STATOR ASS'Y 120V | 1 | INCLUD.19.36 |
| 21 | 372743 | FAN GUIDE | 1 | |
| *22 | 361073U | ARMATURE ASS'Y 110V-120V | 1 | INCLUD.17.18.30 |
| 23 | 333568 | LOCK LEVER | 1 | |
| 24 | 301653 | TAPPING SCREW (W/FLANGE) D4X20 (BLACK) | 7 | |
| 25 | 333570 | FLOW GUIDE (B) | 1 | |
| 26 | 372740 | GEAR COVER | 1 | |
| 27 | 333569 | FLOW GUIDE (A) | 1 | |
| 28 | 337080 | CUSHION | 1 | |
| 29 | 949794 | FLAT HD. SCREW M6X20 (10 PCS.) | 1 | |
| 30 | 6001VV | BALL BEARING 6001VV | 1 | |
| 31 | 333566 | RUBBER RING | 1 | |
| 32 | 372747 | BOLT (SQUARE) M6 | 2 | |
| 33 | 935196 | MACHINE SCREW (W/WASHERS) M4X12 (BLACK) | 1 | EXCEPT FOR USA.CAN |
| 34 | 372757 | DUST COLLECTOR SET | 1 | INCLUD.33.505 EXCEPT FOR USA.CAN |
| 35 | 930039 | NOISE SUPPRESSOR | 1 | FOR AUS.NZL.GBR |
| *36 | 930804 | TERMINAL M4.0 (10 PCS.) | 2 | |
| 37 | | NAME PLATE | 1 | |
| 38 | 997841 | MACHINE SCREW (W/WASHERS) M5X50 (BLACK) | 3 | |
| 39 | 938477 | HEX. SOCKET SET SCREW M5X8 | 2 | |
| 40 | 372738 | HOUSING ASS'Y | 1 | INCLUD.39.41 |
| 41 | 958900 | BRUSH HOLDER | 2 | |
| 42 | 999043 | CARBON BRUSH (1 PAIR) | 2 | |
| 43 | 945161 | BRUSH CAP | 2 | |
| 44 | 370269 | CORD HOLDER | 1 | |
| 45 | 372781 | SWITCH | 1 | |
| 46 | 305720 | TAPPING SCREW (W/FLANGE) D4X12 | 1 | |
| *47 | 930804 | TERMINAL M4.0 (10 PCS.) | 2 | |
| 48 | 937631 | CORD CLIP | 1 | |
| 49 | 984750 | TAPPING SCREW (W/FLANGE) D4X16 | 2 | |
| 50 | 931701 | BEARING LOCK | 1 | |
| 51 | 334379 | FERRITE CORE | 1 | FOR AUS.NZL.GBR |
| *52 | 938051 | CORD ARMOR D10.1 | 1 | |
| *53 | 500453Z | CORD | 1 | (CORD ARMOR D10.1) |
| 54 | 372739 | HANDLE COVER | 1 | |
| 55 | 333782 | GRIP COVER | 1 | |
| 56 | 670514 | RETAINING RING (E-TYPE) FOR D10 SHAFT | 2 | |
| 57 | 372746 | LOCK NUT | 2 | |
| 58 | 372745 | LEVER | 2 | |
| 59 | 320975 | WASHER | 2 | |
| 60 | 373010 | SEAL LOCK SCREW (W/SP. WASHER) M4X14 | 1 | FOR GBR |
| 61 | 319541 | SEAL LOCK HEX. SOCKET SET SCREW M5X6 | 2 | |
| 62 | 372744 | BEVEL PLATE | 1 | |
| 63 | 949750 | ROLL PIN D6X50 (10 PCS.) | 1 | |

STANDARD ACCESSORIES

C7SB3

| ITEM NO. | CODE NO. | DESCRIPTION | NO. USED | REMARKS |
|----------|----------|---------------------|----------|--------------------|
| 501 | 372756 | CASE | 1 | EXCEPT FOR USA.CAN |
| 502 | 302691 | GUIDE | 1 | EXCEPT FOR USA.CAN |
| 503 | 872422 | HEX. BAR WRENCH 6MM | 1 | |
| 504 | 371108 | TOOL BAG | 1 | FOR USA.CAN |
| 505 | | LEVER | 1 | EXCEPT FOR USA.CAN |
| | | | | |
| | | | | |
| | | | | |
| | | | | |
| | | | | |
| | | | | |
| | | | | |
| | | | | |
| | | | | |
| | | | | |

OPTIONAL ACCESSORIES

| ITEM NO. | CODE NO. | DESCRIPTION | NO. USED | REMARKS |
|----------|----------|--------------------|----------|---------------------------|
| 601 | 302691 | GUIDE | 1 | FOR USA.CAN |
| 602 | 372757 | DUST COLLECTOR SET | 1 | INCLUD.34.505 FOR USA.CAN |
| 603 | | LEVER | 1 | SUPPLIED WITH ITEM NO.602 |
| 604 | 302691 | GUIDE | 1 | FOR USA.CAN |
| | | | | |
| | | | | |
| | | | | |
| | | | | |
| | | | | |
| | | | | |
| | | | | |
| | | | | |
| | | | | |
| | | | | |
| | | | | |
| | | | | |
| | | | | |
| | | | | |
| | | | | |
| | | | | |
| | | | | |
| | | | | |
| | | | | |
| | | | | |
| | | | | |
| | | | | |
| | | | | |
| | | | | |
| | | | | |
| | | | | |
| | | | | |
| | | | | |
| | | | | |
| | | | | |
| | | | | |