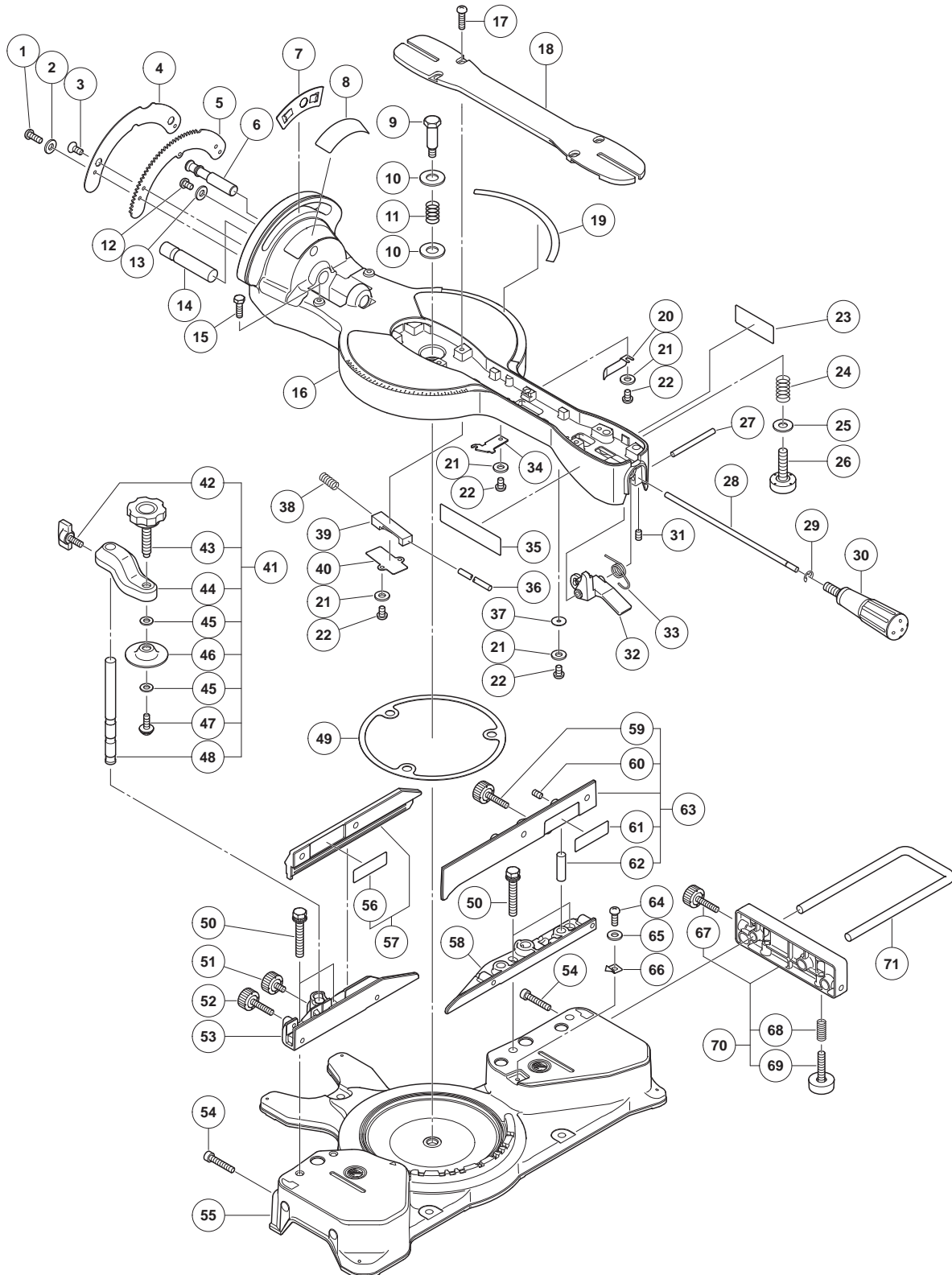
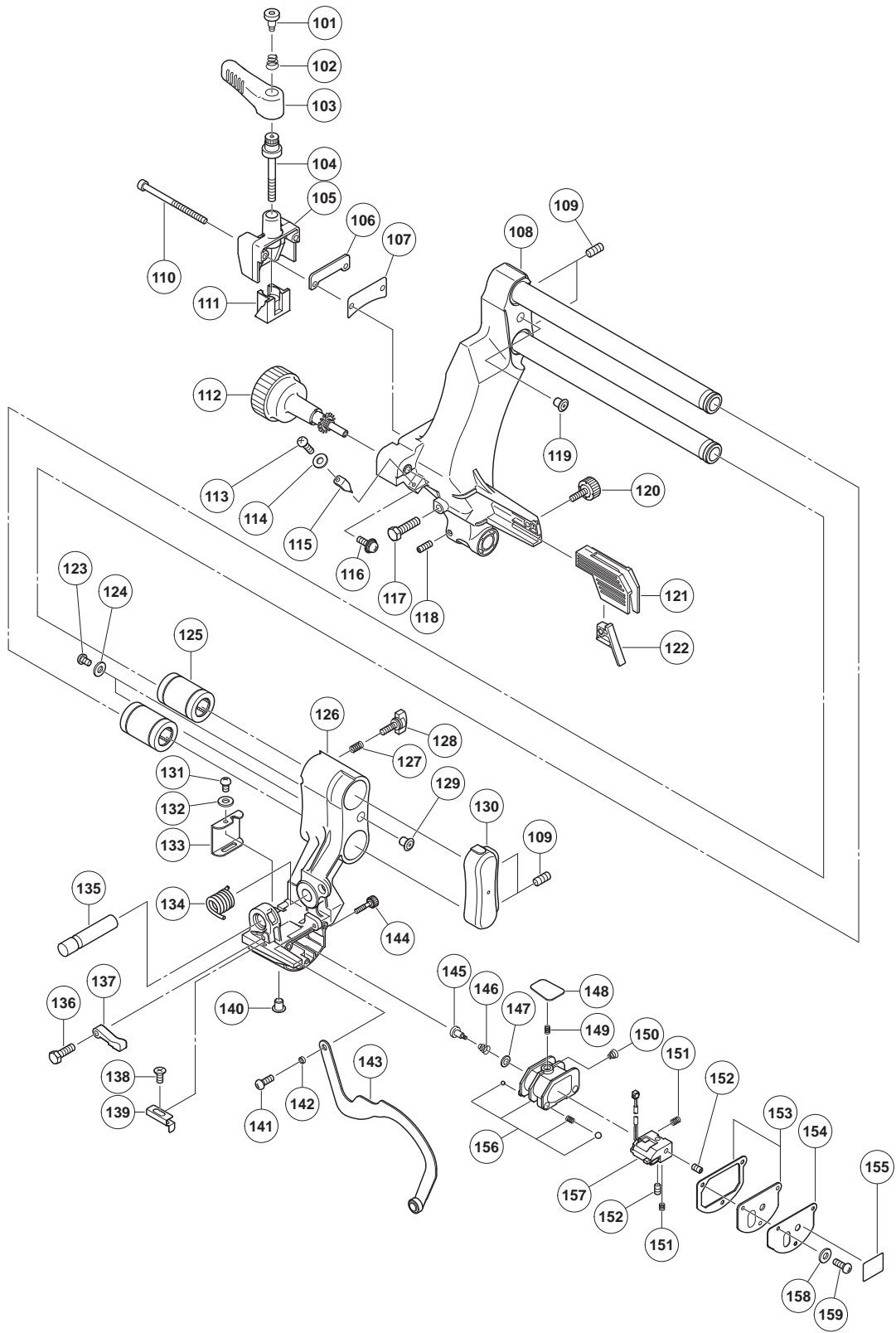
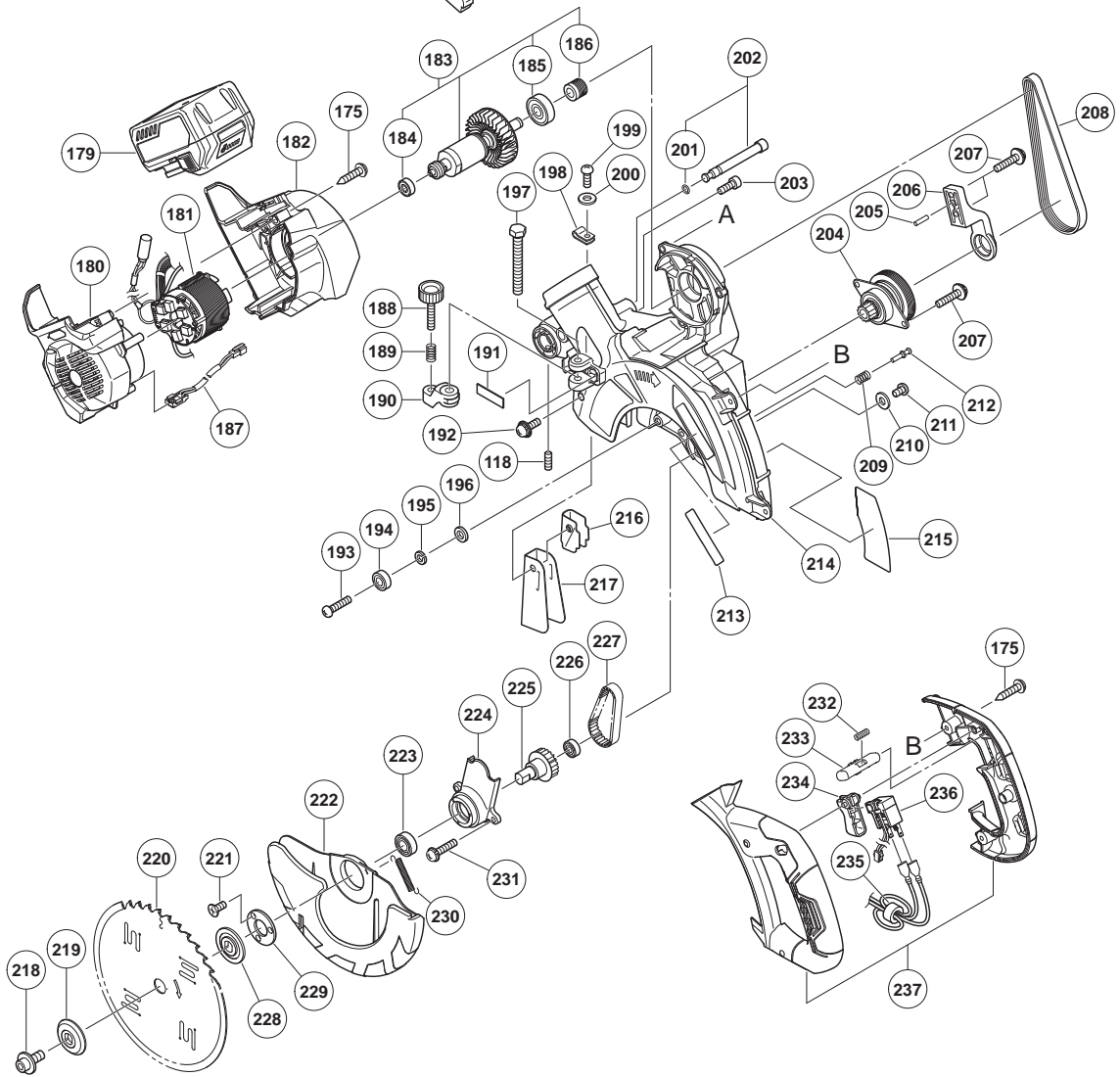
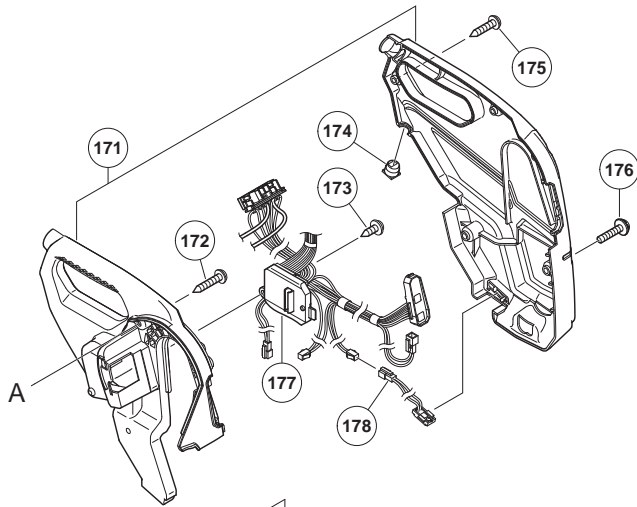
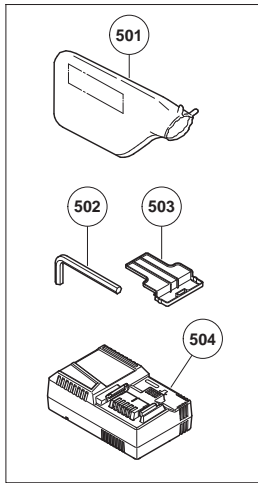


ELECTRIC TOOL PARTS LIST

■ CORDLESS SLIDE COMPOUND MITER SAW 2019- 1 - 25 Model C 3607DRA (E1)







PARTS

C 3607DRA

| ITEM NO. | CODE NO. | DESCRIPTION | NO. USED | REMARKS |
|----------|----------|---|----------|--------------------------------------|
| 1 | 949217 | MACHINE SCREW M4 X 12 (10 PCS.) | 2 | |
| 2 | 949429 | BOLT WASHER M4 (10 PCS.) | 2 | |
| 3 | 949322 | FLAT HD. SCREW M4 X 10 (10 PCS.) | 3 | |
| 4 | 325560 | PLATE (C) | 1 | |
| 5 | 325559 | GEAR (A) | 1 | |
| 6 | 322337 | SET PIN (A) | 1 | |
| 7 | 322275 | LINER (A) | 1 | |
| 8 | 373559 | SCALE (B) | 1 | |
| 9 | 329418 | SHAFT (B) | 1 | |
| 10 | 949437 | BOLT WASHER M12 (10 PCS.) | 2 | |
| 11 | 312481 | SPRING | 1 | |
| 12 | 949215 | MACHINE SCREW M4 X 8 (10 PCS.) | 1 | |
| 13 | 949429 | BOLT WASHER M4 (10 PCS.) | 1 | |
| 14 | 312489 | SHAFT (C) | 1 | |
| 15 | 307724 | SEAL LOCK BOLT M6 X 20 (BLACK) | 2 | |
| 16 | 373548 | TURN TABLE ASS'Y | 1 | INCLUD.1-5,8,19-22,24-29,31-34,36-40 |
| 17 | 302317 | MACHINE SCREW M5 X 16 (BLACK) | 4 | |
| 18 | 373530 | TABLE INSERT | 1 | |
| 19 | 373558 | SCALE (A) | 1 | |
| 20 | 321342 | SPACER (A) | 1 | |
| 21 | 949429 | BOLT WASHER M4 (10 PCS.) | 4 | |
| 22 | 949215 | MACHINE SCREW M4 X 8 (10 PCS.) | 4 | |
| * 23 | | NAME PLATE | 1 | FOR USA,CAN |
| 24 | 988540 | HANDLE SPRING | 1 | |
| 25 | 949434 | BOLT WASHER M10 (10 PCS.) | 1 | |
| 26 | 988891 | SET SCREW | 1 | |
| 27 | 321339 | LEVER SHAFT | 1 | |
| 28 | 334378 | SHAFT (A) | 1 | |
| 29 | 673489 | RETAINING RING (E-TYPE) FOR D5 SHAFT | 1 | |
| 30 | 322283 | SIDE HANDLE | 1 | |
| 31 | 987860 | SEAL LOCK HEX. SOCKET SET SCREW M6 X 6 | 1 | |
| 32 | 321338 | LEVER | 1 | |
| 33 | 321340 | SPRING (D) | 1 | |
| 34 | 322279 | COVER (B) | 1 | |
| 35 | | CAUTION LABEL | 1 | |
| 36 | 322281 | SHAFT (C) | 1 | |
| 37 | 333965 | THRUST WASHER | 1 | |
| 38 | 321417 | SPRING (E) | 1 | |
| 39 | 322280 | STOPPER (A) | 1 | |
| 40 | 321336 | PIN COVER | 1 | |
| 41 | 374636 | WISE ASS'Y | 1 | INCLUD.42-48 |
| 42 | 307947 | WING BOLT M6 X 12 | 1 | |
| 43 | 374637 | KNOB BOLT M10 | 1 | |
| 44 | | SCREW HOLDER | 1 | |
| 45 | 996722 | WASHER | 2 | |
| 46 | 322047 | WISE PLATE | 1 | |
| 47 | 329911 | MACHINE SCREW (W/WASHERS) M5 X 12 (BLACK) | 1 | |
| 48 | 322321 | WISE SHAFT | 1 | |
| 49 | 312478 | LINER | 1 | |
| 50 | 307221 | BOLT (W/WASHERS) M8 X 35 (BLACK) | 4 | |

PARTS

C 3607DRA

| ITEM NO. | CODE NO. | DESCRIPTION | NO. USED | REMARKS |
|----------|----------|---|----------|--------------------|
| 51 | 998836 | KNOB BOLT M6 X 11 | 1 | |
| 52 | 960017 | KNOB BOLT M6 X 32 | 1 | |
| 53 | 373552 | FENCE (B) | 1 | |
| 54 | 949652 | HEX. SOCKET HD. BOLT M6 X 25 (10 PCS.) | 2 | |
| 55 | 373554 | BASE | 1 | |
| 56 | | CAUTION LABEL (B) | 1 | |
| 57 | 373553 | SUB FENCE (B) ASS'Y | 1 | INCLUD.56 |
| 58 | 373549 | FENCE (A) | 1 | |
| 59 | 960017 | KNOB BOLT M6 X 32 | 1 | |
| 60 | 991396 | HEX. SOCKET SET SCREW M6 X 6 | 2 | |
| 61 | | CAUTION LABEL (A) | 1 | |
| 62 | 374635 | PIN | 2 | |
| 63 | 373550 | SUB FENCE (A) ASS'Y | 1 | INCLUD.59-62 |
| 64 | 949217 | MACHINE SCREW M4 X 12 (10 PCS.) | 1 | |
| 65 | 949429 | BOLT WASHER M4 (10 PCS.) | 1 | |
| 66 | 322288 | INDICATOR | 1 | |
| 67 | 960017 | KNOB BOLT M6 X 32 | 1 | |
| 68 | 998852 | SPRING | 2 | |
| 69 | 374639 | SET SCREW | 2 | |
| 70 | 374638 | SUB TABLE (E) ASS'Y | 2 | INCLUD.67-69 |
| 71 | 998844 | HOLDER | 2 | |
| 101 | 305180 | CLUTCH SCREW | 1 | |
| 102 | 305179 | CLUTCH SPRING | 1 | |
| 103 | 312488 | CLAMP LEVER | 1 | |
| 104 | 323903 | BOLT M8 X 65 | 1 | |
| 105 | 323904 | STOPPER HOLDER (C) | 1 | |
| 106 | 325561 | PLATE (D) | 1 | |
| 107 | 325563 | PLATE (E) | 1 | |
| 108 | 373533 | HOLDER (A) ASS'Y | 1 | INCLUD.109,119,130 |
| 109 | 961554 | HEX. SOCKET SET SCREW M8 X 10 | 4 | |
| 110 | 975807 | HEX. SOCKET HD. BOLT M6 X 55 | 2 | |
| 111 | 323905 | STOPPER (C) | 1 | |
| 112 | 325562 | KNOB (B) | 1 | |
| 113 | 949217 | MACHINE SCREW M4 X 12 (10 PCS.) | 2 | |
| 114 | 949429 | BOLT WASHER M4 (10 PCS.) | 2 | |
| 115 | 321329 | INDICATOR | 2 | |
| 116 | 996247 | MACHINE SCREW (W/WASHERS) M5 X 12 (BLACK) | 1 | |
| 117 | 303409 | NYLOCK BOLT M8 X 25 | 1 | |
| 118 | 307956 | SEAL LOCK HEX. SOCKET SET SCREW M6 X 10 | 2 | |
| 119 | 312672 | BASE RUBBER | 1 | |
| 120 | 998879 | KNOB BOLT | 1 | |
| 121 | 329784 | GUARD | 1 | |
| 122 | 331845 | GUARD HOLDER | 1 | |
| 123 | 949215 | MACHINE SCREW M4 X 8 (10 PCS.) | 2 | |
| 124 | 949429 | BOLT WASHER M4 (10 PCS.) | 2 | |
| 125 | 326140 | BALL BUSHING | 2 | |
| 126 | 373534 | HINGE (A) | 1 | |
| 127 | 947859 | LOCK SPRING | 1 | |
| 128 | 302459 | WING BOLT M6 X 17 | 1 | |
| 129 | 312672 | BASE RUBBER | 1 | |

PARTS

C 3607DRA

| ITEM NO. | CODE NO. | DESCRIPTION | NO. USED | REMARKS |
|----------|----------|--|----------|----------------|
| 130 | 329492 | SUPPORT | 1 | |
| 131 | 949215 | MACHINE SCREW M4 X 8 (10 PCS.) | 1 | |
| 132 | 949429 | BOLT WASHER M4 (10 PCS.) | 1 | |
| 133 | 320183 | COVER | 1 | |
| 134 | 329785 | SPRING | 1 | |
| 135 | 329786 | HINGE SHAFT (A) | 1 | |
| 136 | 307724 | SEAL LOCK BOLT M6 X 20 (BLACK) | 1 | |
| 137 | 322292 | STOPPER (B) | 1 | |
| 138 | 949322 | FLAT HD. SCREW M4 X 10 (10 PCS.) | 1 | |
| 139 | 322293 | SPACER (D) | 1 | |
| 140 | 312672 | BASE RUBBER | 1 | |
| 141 | 949237 | MACHINE SCREW M5 X 12 (10 PCS.) | 1 | |
| 142 | 998980 | SPACER | 1 | |
| 143 | 329787 | LINK | 1 | |
| 144 | 319270 | ADJUSTER | 1 | |
| 145 | 305180 | CLUTCH SCREW | 1 | |
| 146 | 305179 | CLUTCH SPRING | 1 | |
| 147 | 962614 | ADJUSTING WASHER (B) T0.5 | 1 | |
| 148 | 319268 | PLATE (B) | 1 | |
| 149 | 319267 | SPRING | 1 | |
| 150 | 305179 | CLUTCH SPRING | 1 | |
| 151 | 319267 | SPRING | 2 | |
| 152 | 319541 | SEAL LOCK HEX. SOCKET SET SCREW M5 X 6 | 2 | |
| 153 | 319271 | COVER (A) | 1 | |
| 154 | 322291 | PLATE (A) | 1 | |
| 155 | | CAUTION LABEL (J) | 1 | |
| 156 | 319269 | HOLDER (B) | 1 | |
| 157 | 329863 | LASER MARKER | 1 | |
| 158 | 949429 | BOLT WASHER M4 (10 PCS.) | 3 | |
| 159 | 949217 | MACHINE SCREW M4 X 12 (10 PCS.) | 3 | |
| 171 | 373564 | HANDLE (L).(R) SET | 1 | |
| 172 | 305558 | TAPPING SCREW (W/FLANGE) D5 X 25 (BLACK) | 3 | |
| 173 | 305720 | TAPPING SCREW (W/FLANGE) D4 X 12 | 1 | |
| 174 | 319349 | CORD BUSH | 1 | |
| 175 | 301653 | TAPPING SCREW (W/FLANGE) D4 X 20 (BLACK) | 10 | |
| 176 | 374941 | NYLOCK SCREW M5 X 20 | 2 | |
| 177 | 373702 | CONTROLLER | 1 | |
| 178 | 373707 | LIGHT | 1 | |
| * 179 | 371750 | BATTERY BSL 36A18 (EUROPE,AUS,NZL) | 2 | INCLUD.503 |
| 180 | 373561 | HOUSING (B) | 1 | |
| 181 | 341006 | STATOR FET PCB | 1 | |
| 182 | 373560 | HOUSING (A) | 1 | |
| 183 | 361089 | ROTOR ASS'Y | 1 | INCLUD.184-186 |
| 184 | 371919 | BALL BEARING 606VVMC3E | 1 | |
| 185 | 333946 | BALL BEARING 6200VVCM | 1 | |
| 186 | 373536 | PULLEY (A) | 1 | |
| 187 | 373706 | LIGHT | 1 | |
| 188 | 961468 | KNOB BOLT M6 X 37 | 1 | |
| 189 | 988821 | LOCK SPRING | 1 | |
| 190 | 322314 | STOPPER HOLDER | 1 | |

PARTS

C 3607DRA

| ITEM NO. | CODE NO. | DESCRIPTION | NO. USED | REMARKS |
|----------|----------|---|----------|-------------|
| 191 | 322313 | SPRING PLATE | 1 | |
| 192 | 304043 | MACHINE SCREW (W/WASHERS) M4 X 10 (BLACK) | 1 | |
| 193 | 949258 | MACHINE SCREW M6 X 20 (10 PCS.) | 1 | |
| 194 | 606ZZM | BALL BEARING 606VV | 1 | |
| 195 | 949455 | SPRING WASHER M6 (10 PCS.) | 1 | |
| 196 | 949425 | WASHER M6 (10 PCS.) | 1 | |
| 197 | 303410 | NYLOCK BOLT M8 X 40 | 1 | |
| 198 | 980523 | NYLON CLIP | 1 | |
| 199 | 949217 | MACHINE SCREW M4 X 12 (10 PCS.) | 1 | |
| 200 | 949429 | BOLT WASHER M4 (10 PCS.) | 1 | |
| 201 | 984528 | O-RING (P-6) | 1 | |
| 202 | 329815 | STOPPER PIN ASS'Y | 1 | INCLUD.201 |
| 203 | 877839 | SEAL LOCK HEX. SOCKET HD. BOLT M5 X 10 | 1 | |
| 204 | 373545 | SECOND SHAFT SET | 1 | |
| 205 | 983545 | NEEDLE ROLLER | 1 | |
| 206 | 373538 | BEARING HOLDER (B) | 1 | |
| 207 | 995096 | MACHINE SCREW (W/WASHERS) M5 X 20 (BLACK) | 4 | |
| 208 | 373539 | BELT | 1 | |
| 209 | 329800 | LOCK SPRING | 1 | |
| 210 | 949429 | BOLT WASHER M4 (10 PCS.) | 1 | |
| 211 | 949215 | MACHINE SCREW M4 X 8 (10 PCS.) | 1 | |
| 212 | 373540 | STOPPER PIN | 1 | |
| 213 | | BRAND LABEL | 1 | |
| 214 | 373541 | GEAR CASE | 1 | |
| * 215 | | NAME PLATE | 1 | |
| 216 | 329814 | GUIDE HOLDER | 1 | |
| 217 | 329813 | DUST GUIDE | 1 | |
| 218 | 371730 | LEFT HEX. SOCKET BOLT M7 | 1 | |
| 219 | 329819 | WASHER (B) | 1 | |
| * 220 | 374928 | TCT SAW BLADE 185MM-D20 HOLE-NT40 | 1 | |
| * 220 | 374927M | TCT SAW BLADE 185MM-D15.9 HOLE-NT40 | 1 | FOR USA,CAN |
| 221 | 308773 | SEAL LOCK FLAT HD. SCREW M3 X 12 | 3 | |
| 222 | 373551 | LOWER GUARD | 1 | |
| 223 | 323118 | BALL BEARING 6901VV-N | 1 | |
| 224 | 373544 | BEARING HOLDER | 1 | |
| 225 | 373542 | SPINDLE | 1 | |
| 226 | 606ZZM | BALL BEARING 606VV | 1 | |
| 227 | 373543 | TIMING BELT | 1 | |
| * 228 | 329818 | WASHER (A) | 1 | |
| * 228 | 373556 | WASHER (A) | 1 | FOR USA,CAN |
| 229 | 329789 | COVER (A) | 1 | |
| 230 | 315710 | RETURN SPRING | 1 | |
| 231 | 987512 | MACHINE SCREW (W/SP. WASHER) M5 X 16 | 2 | |
| 232 | 301631 | SPRING (F) | 1 | |
| 233 | 373562 | KNOB | 1 | |
| 234 | 338899 | TRIGGER | 1 | |
| 235 | 334379 | FERRITE CORE | 1 | |
| 236 | 371907 | SWITCH | 1 | |
| 237 | 373563 | SWITCH HANDLE (L).(R) SET | 1 | |

STANDARD ACCESSORIES

C 3607DRA

| ITEM NO. | CODE NO. | DESCRIPTION | NO. USED | REMARKS |
|----------|----------|---------------------------|----------|-------------|
| * 501 | 322955 | DUST BAG (BLACK) | 1 | |
| * 501 | 322955M | DUST BAG (BLACK) | 1 | FOR USA,CAN |
| 502 | 944459 | HEX. BAR WRENCH 5MM | 1 | |
| 503 | 329897 | BATTERY COVER | 2 | |
| 504 | | CHARGER (MODEL UC 18YSL3) | 1 | |
| | | | | |
| | | | | |
| | | | | |
| | | | | |
| | | | | |
| | | | | |
| | | | | |
| | | | | |

OPTIONAL ACCESSORIES

| ITEM NO. | CODE NO. | DESCRIPTION | NO. USED | REMARKS |
|----------|----------|-------------|----------|---------|
| 601 | 374634 | HOOK ASS'Y | 1 | |
| | | | | |
| | | | | |
| | | | | |
| | | | | |
| | | | | |
| | | | | |
| | | | | |
| | | | | |
| | | | | |
| | | | | |
| | | | | |
| | | | | |
| | | | | |
| | | | | |
| | | | | |
| | | | | |