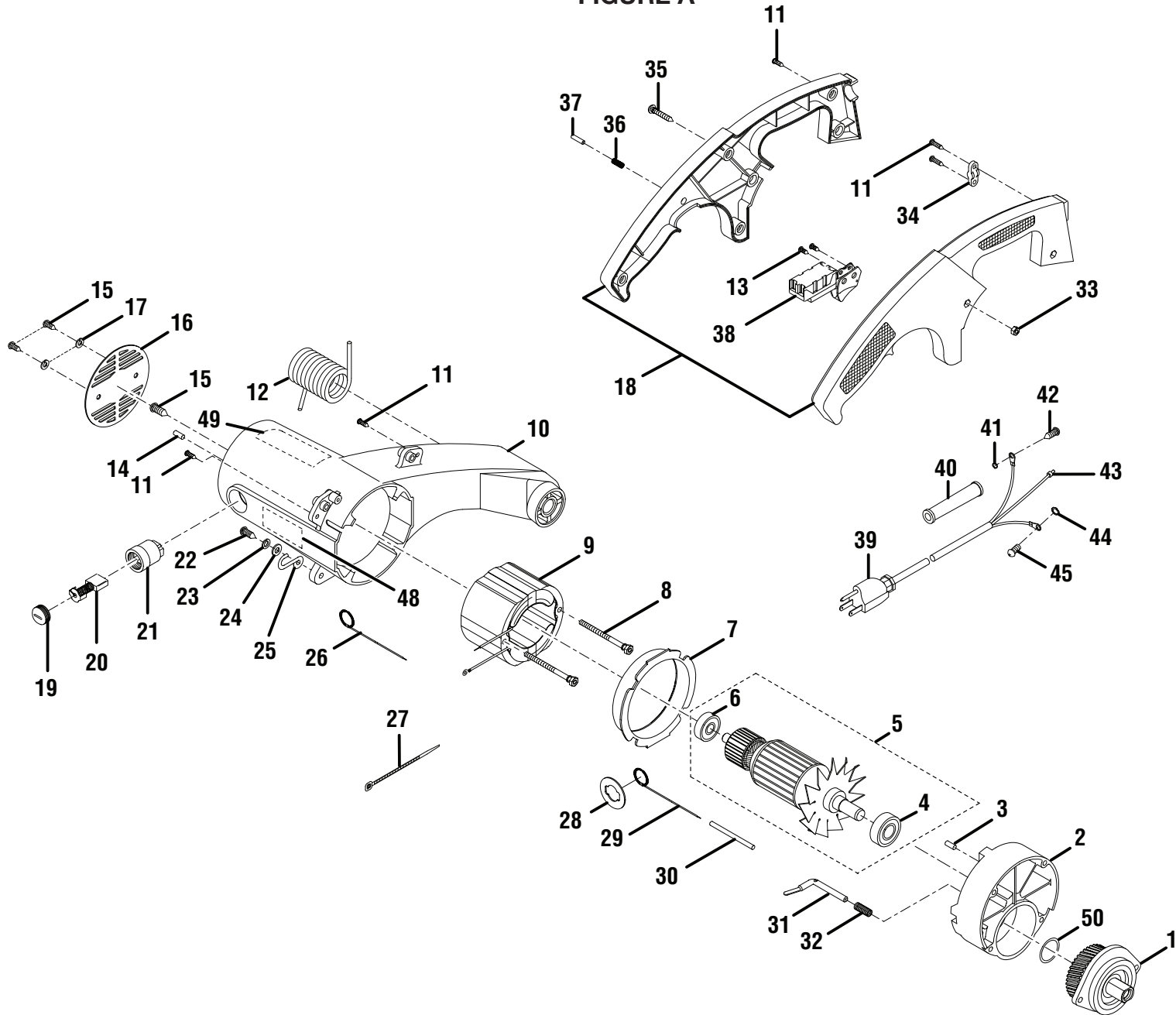


RYOBI 14 in. (356 mm) CUT-OFF MACHINE – MODEL NO. C358

FIGURE A



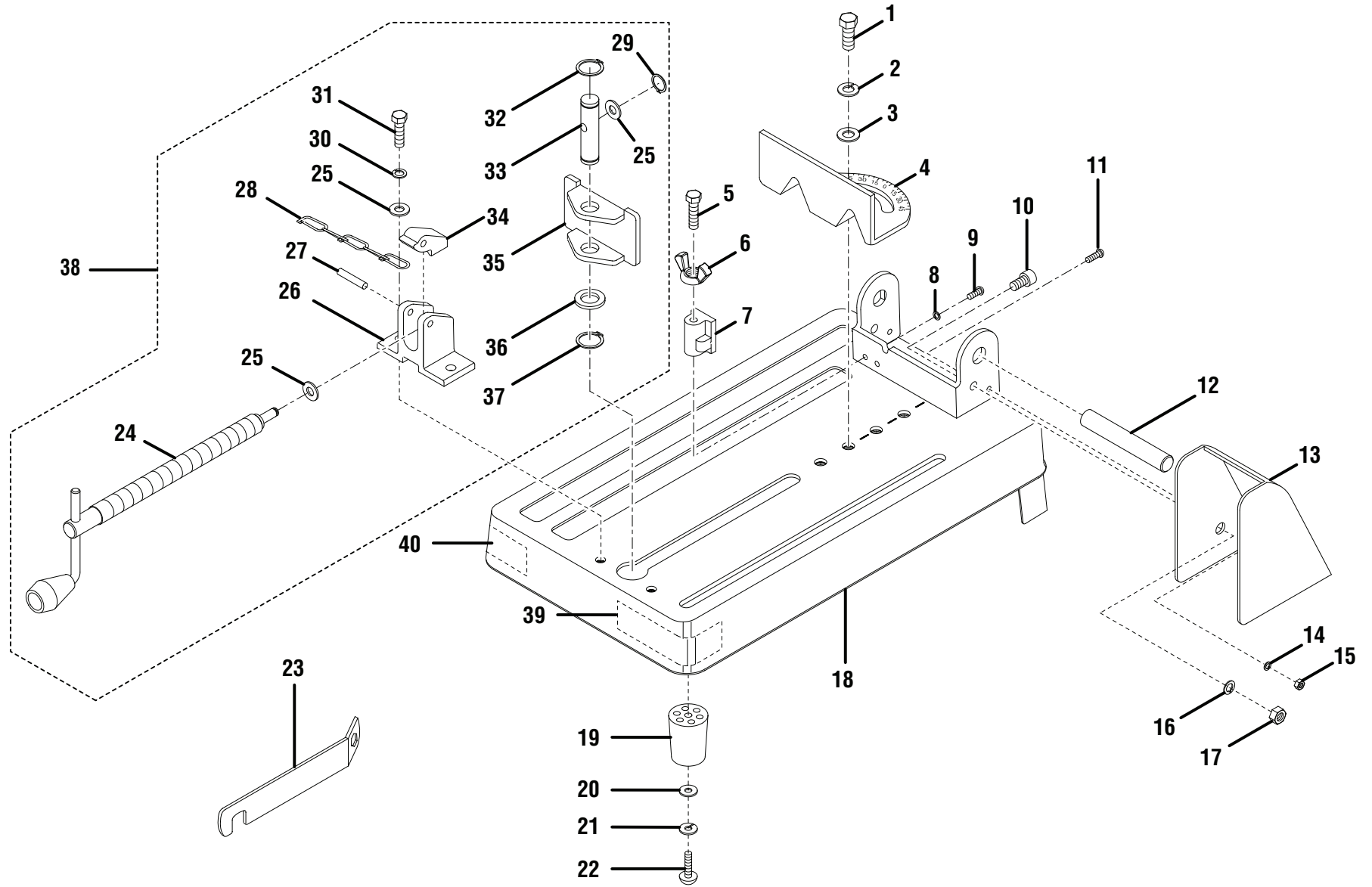
## RYOBI 14 in. (356 mm) CUT-OFF MACHINE – MODEL NO. C358

The model number will be found on a label attached to the motor housing. Always mention the model number in all correspondence regarding your **CUT-OFF MACHINE** or when ordering repair parts.

### PARTS LIST FOR FIGURE A

KEY NO.	PART NUMBER	DESCRIPTION	QTY.	KEY NO.	PART NUMBER	DESCRIPTION	QTY.
1	A502020501G	JACKSHAFT ASSEMBLY .....	1	27	0513020204	ZIP TIE .....	2
2	050202010287	GEAR BOX.....	1	28	0502025004	FIBER PLATE.....	2
3	414060001	RUBBER PIN .....	1	29	0502021101	LEAD (BLUE).....	1
4	420010005	BALL BEARING (6202LLU).....	1	30	0502021103	SLEEVE.....	2
5	A502020310	ARMATURE ASSEMBLY.....	1	31	0502020902	PLUNGER.....	1
6	420010004	BALL BEARING (6200LLU).....	1	32	0502020903	SPRING .....	1
7	0502020203	BAFFLE.....	1	33	411011001	HEX NUT ( M5 X .8 mm) .....	2
8	410351001	SCREW (M5 X 70 mm) .....	2	34	0101040203	CORD CLAMP .....	1
9	A502020422	FIELD ASSEMBLY .....	1	35	410261003	SCREW (M5 X 27 mm PAN HD.) .....	2
10	050202010442	MOTOR HOUSING .....	1	36	0502020904	SPRING .....	1
11	410191002	SCREW (M4 X 16 mm) .....	8	37	0502020208	BUTTON .....	1
12	0502020909	TORSION SPRING .....	1	38	089210100099	SWITCH.....	1
13	410191001	SCREW (M4 X 10 mm PAN HD.) .....	2	39	0502020719	POWER CORD .....	1
14	414060001	RUBBER PIN .....	1	40	0502030201	BEND RELIEF .....	1
15	410131004	SCREW (M5 X 12 mm PAN HD.) .....	7	41	412041001	LOCK WASHER.....	1
16	050202031787	END COVER.....	1	42	410131004	SCREW (M5 X 12 mm PAN HD.) .....	1
17	412021005	LOCK WASHER (50 .....	2	43	451020002	CONNECTOR WIRE .....	2
18	A502305201	HANDLE ASSEMBLY.....	1	44	412042003	LOCK WASHER.....	2
19	0602200209	BRUSH CAP .....	2	45	410316702	SCREW (M6 X 6.8 mm PAN HD.) .....	2
20	0502025002	BRUSH ASSEMBLY.....	2	46	A5020301025	MOTOR ASSEMBLY (INC. KEY NO. 1-45) .....	1
21	0602200208	BRUSH HOLDER.....	2	47	A5020302025	MOTOR HOUSING ASSEMBLY (INC. KEY NO. 8-45) .....	1
22	410131713	SCREW (1/4 in. X 5/8 in. PAN HD.) .....	1	48	9502025330102	NAME PLATE (SMALL) .....	1
23	412021702	LOCK WASHER (1/4 in.).....	1	49	9502025333101	DATA PLATE.....	1
24	412011712	FLAT WASHER .....	1	50	441010008	O-RING (D1 X D59).....	1
25	050202500321	CHAIN HOOK .....	1				
26	0502021104	LEAD (YELLOW).....	1				

FIGURE B



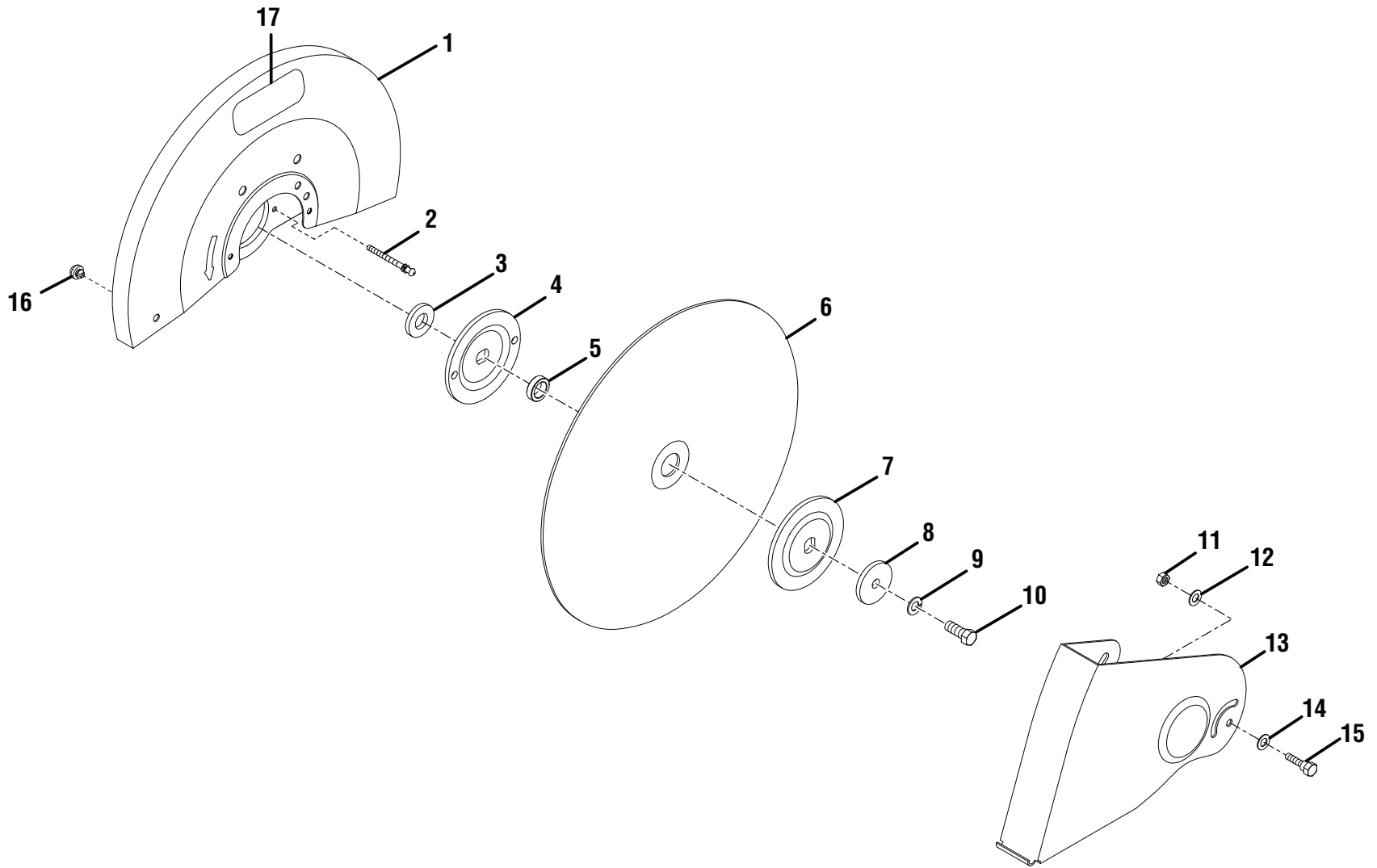
**RYOBI 14 in. (356 mm) CUT-OFF MACHINE – MODEL NO. C358**

The model number will be found on a label attached to the motor housing. Always mention the model number in all correspondence regarding your **CUT-OFF MACHINE** or when ordering repair parts.

**PARTS LIST FOR FIGURE B**

<b>KEY NO.</b>	<b>PART NUMBER</b>	<b>DESCRIPTION</b>	<b>QTY.</b>	<b>KEY NO.</b>	<b>PART NUMBER</b>	<b>DESCRIPTION</b>	<b>QTY.</b>
1	410011003	SCREW (M10 X 25 mm HEX HD.)	2	21	412021003	LOCK WASHER (M6)	3
2	412021002	LOCK WASHER (M10)	2	22	410131010	SCREW (M6 X 25 mm PAN HD.)	3
3	412011009	WASHER	2	23	0502020311	WRENCH	1
4	0502020324	PLATE	1	24	A502022303	THREADED ROD W/HANDLE	1
5	410011006	SCREW (M8 X 30 mm HEX HD.)	1	25	412011008	WASHER (M8)	4
6	411171003	WING NUT (M8)	1	26	050202040158	SUPPORT	1
7	050202010142	DECK	1	27	414011006	SPRING PIN (M6 X 32 mm)	1
8	412021005	LOCK WASHER	2	28	050202500123	CHAIN	1
9	410131004	SCREW (M5 X 12 mm PAN HD.)	2	29	413051002	RETAINING RING	1
10	410151001	SCREW (M8 X 15 mm SOC HD.)	2	30	412021004	LOCK WASHER (M8)	2
11	410131009	SCREW (M5 X 15 mm PAN HD.)	1	31	410011005	SCREW (M8 X 25 mm HEX HD.)	2
12	0502020601	SHAFT	1	32	413011005	RETAINING RING	1
13	0502050311	COVER	1	33	0502020906	PIN	1
14	412021005	LOCK WASHER (M5)	1	34	0502020502	NUT THREAD	1
15	411011001	NUT (M5)	1	35	0502020322	JAW VICE	1
16	412021004	LOCK WASHER (M8)	2	36	412011010	WASHER	1
17	411011003	NUT (M8)	2	37	413011005	RETAINING RING	1
18	050202032942	BASE	1	38	A5020238011	VICE CLAMP ASSEMBLY (INC. KEY NO. 66-81)	1
19	0502020201	RUBBER PAD	3	39	9502025330201	WARNING LABEL (ENGLISH)	1
20	412011033	WASHER (M6)	3	40	9502025330202	WARNING LABEL (BILINGUAL)	1

FIGURE C



**RYOBI 14 in. (356 mm) CUT-OFF MACHINE – MODEL NO. C358**

The model number will be found on a label attached to the motor housing. Always mention the model number in all correspondence regarding your **CUT-OFF MACHINE** or when ordering repair parts.

**PARTS LIST FOR FIGURE C**

<b>KEY NO.</b>	<b>PART NUMBER</b>	<b>DESCRIPTION</b>	<b>QTY.</b>	<b>KEY NO.</b>	<b>PART NUMBER</b>	<b>DESCRIPTION</b>	<b>QTY.</b>
1	050202030187	UPPER GUARD .....	1	11	411071001	LOCK NUT (M6).....	2
2	410271003	SCREW (M5 X 60 mm PAN HD.) .....	4	12	0502025005	WASHER, FIBER .....	2
3	0502020302	SPACER.....	1	13	050202033987	LOWER BLADE GUARD.....	1
4	0502020303	INNER FLANGE.....	1	14	0502025005	WASHER, FIBER .....	2
5	0502020501	OUTER SPACER.....	1	15	0502020802-20	SHOULDER BOLT .....	2
6	421010007	BLADE .....	1	16	0502020202	RUBBER BUMPER.....	2
7	0502020304	OUTER FLANGE.....	1	17	9502025330101	LOGO PLATE (LARGE) .....	1
8	0502020305	WASHER (M10).....	1		983000607	OPERATOR'S MANUAL	
9	412021002	LOCK WASHER (M10).....	1		5-8-13		
10	410011003	SCREW (M10 X 25 mm HEX HD.) .....	1		(REV.02)		