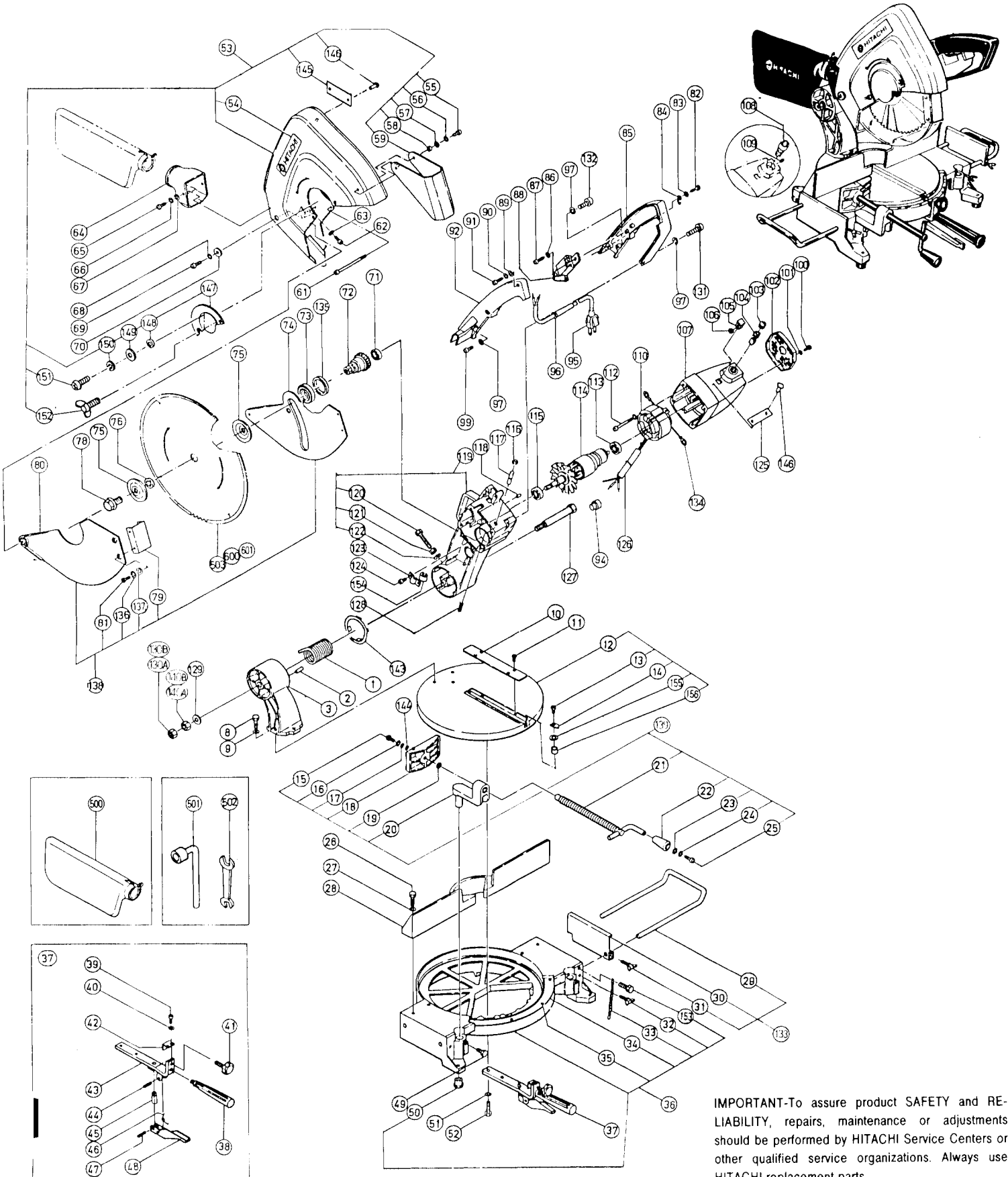




# HITACHI

## 15" MITER SAW

### Model C 15FA



**IMPORTANT**-To assure product **SAFETY** and **RELIABILITY**, repairs, maintenance or adjustments should be performed by **HITACHI** Service Centers or other qualified service organizations. Always use **HITACHI** replacement parts.



# HITACHI

## 15" MITER SAW

### Model C 15FA

ITEM NO.	PART NO.	NO. USED	DESCRIPTION	SUPPLY Q'TY	ITEM NO.	PART NO.	NO. USED	DESCRIPTION	SUPPLY Q'TY
1	974551	1	Spring		84	974657	1	Chain Hook (A)	
2	949883	1	Spring Pin M8×45	10	85	988107	1	Handle	
3	974549	1	Hinge		86	949453	2	Spring Washer M4	10
8	949628	3	Bolt M8×30	10	87	974572	2	Tapping Screw D4×10	
9	949457	3	Spring Washer M8	10	88	976447	1	Switch	
10	974579	1	Table Insert		89	949429	2	Bolt Washer M4	
11	949322	4	Flat Head Screw M4×10	10	90	949453	2	Spring Washer M4	10
12	974666	1	Turn Table Assembly (includes Item 13,14,155,156)		91	974589	2	Tapping Screw D4×25	
13	949237	1	Machine Screw 5×12	10	92	988920	1	Handle Cover	
14	974592	1	Indicator		94	959141	1	Connector 50092	10
15	949254	1	Machine Screw M6×10	10	95	500242Z	1	Cord	
16	949455	1	Spring Washer M6	10	96	940778	1	Cord Armor	
17	949432	1	Bolt Washer M6	10	97	949431	5	Bolt Washer M5	10
18	974548	1	Vise (A)		99	949237	2	Machine Screw M5×12	10
19	949434	1	Bolt Washer M10	10	100	974572	2	Tapping Screw M4×10	
20	974599	1	Female Screw		101	949453	2	Spring Washer M4	10
21	974600	1	Screw		102	974571	1	Tail Cover	
22	967614	1	Feed Grip (A)		103	978445	2	Brush Cap (rld 940540)	
23	976448	1	Washer (B)		104	937943Z	2	Carbon Brush	2
24	949453	1	Spring Washer M4	10	105	974569	2	Nut Cover	
25	949216	1	Machine Screw M4×10	10	106	949555	2	Nut M5	10
26	988119	4	Bolt (w / lock washer) M8×30		107	974566	1	Housing Assembly (includes Item 108,109)	
28	974545	1	Vise (B)		108	974567	2	Brush Holder	
29	974562	2	Holder		109	949365	2	Set Screw M4×5	10
30	974561	1	Stopper		110	976445G	1	Stator (includes Item No. 134)	
31	949404	1	Wing Bolt 6×20	10	112	974603	2	Machine Screw M5×75	
32	949854	2	Wing Bolt 6×35	10	113	6200VV	1	Ball Bearing 6200VVCMP2S	
33	974578	1	Chain		114	974614G	1	Armature (includes Item Nos. 113,115,161)	
34	976444	1	Scale		115	6002VV	1	Ball Bearing 6002VVCMP2S	
35	949510	4	Rivet D2.5×4.8	10	116	974577	1	Retaining Ring D7	
36	976443	1	Base Assembly (includes Item 32 - 35,49,50,153)		117	974576	1	Stopper Pin	
37	976440	1	Stopper Holder Assembly (includes Item 38 - 48)		118	976441	1	Bearing Lock	
38	976480	1	Side Handle (old 951657)		119	974568	1	Gear Case Assembly (includes Item 120 - 122)	
39	949214	2	Machine Screw M4×6	10	120	974658	1	Bolt M10×75	
40	949453	2	Spring Washer M4	10	121	949560	1	Nut M10	10
41	976449	1	Knob Bolt		122	974659	1	Washer (C)	
42	976474	1	Spacer (A)		123	934028	1	Cord Clip	
44	949681	1	Spring Pin M5×25	10	124	949216	2	Machine Screw M4×10	10
47	949681	1	Spring Pin M5×25	10	125	—	1	Name Plate	
49	949619	1	Bolt M8×10	10	127	974550	1	Hinge Shaft Assembly (includes 130B, 140B)	
50	974591	4	Base Rubber		128	948363	1	Gauge Spring	
51	949457	2	Spring Lock Washer M8	10	129	949437	1	Bolt Washer M12	10
52	949628	2	Bolt M8×30	10	130 A	949574	1	Lock Nut till 9.83	10
53	974653Z	1	Saw Cover Assembly (includes Item 54-59,145-152)		130 B	973519	1	Lock Nut since 10,83	
54	988113	1	HITACHI Label		131	949243	2	Machine Screw M5×25	10
55	949214	2	Machine Screw M4×6	10	132	949239	1	Machine Screw 5×16	10
56	949453	2	Spring Washer M4	10	133	974661	1	Guide Assembly (includes Item 29 - 31)	
57	949429	2	Bolt Washer M4	10	134	998744	2	Brush Terminal (old 957004)	
58	974594	2	Spacer		135	974602	1	Bearing Collar	
59	974654Z	1	Sub Cover		136	949453	4	Spring Washer M4	10
61	974573	4	Tapping Screw D5×105		137	949429	4	Bolt Washer M4	10
62	949216	1	Machine Screw M4	10	138	974605	1	Safety Cover Assembly (includes Item 74,79 - 81,136,137)	
63	949429	1	Bolt Washer M4	10	139	974662	1	Vise Assembly (includes Item 15 - 25,144)	
64	974564	1	Duct		140 A	949561	1	Nut M12 till 9.83	10
65	949216	4	Machine Screw M4×10	10	140 B	972712	1	Nut since 10,83	
66	949453	4	Spring Washer M4	10	143	974656	1	Spacer	
67	949429	4	Bolt Washer M4	10	144	974612	1	Wave Washer D10	
68	949454	2	Spring Washer M5	10	145	—	1	Caution Plate	
69	949239	2	Machine Screw M5×16	10	146	949510	2	Rivet	10
70	972256	2	Special Washer		147	974655Z	1	Sub Cover (A)	
71	6001VV	1	Ball Bearing 6001VVCMP2L		148	974484	1	Washer	
72	988098	1	Spindle		149	967329	1	Washer (H)	
73	6006ZZ	1	Ball Bearing 6006ZZCMP2S		150	949455	1	Spring Washer M6	10
74	—	1	Safety Cover (A)		151	949254	1	Machine Screw M6×10	10
75	988110	2	Washer (B)		152	949394	1	Wing Bolt M6×10	10
76	976442	1	Collar (A)		153	949676	1	Bolt M6×20	10
78	988101	1	Bolt (A)		155	949431	1	Bolt Washer M5	10
79	—	1	Safety Cover Holder		156	974667	1	Spacer M5	
80	—	1	Safety Cover (B)		161	947622	1	Distance Piece Since 11,83	
81	949215	4	Machine Screw M4×8	10	162	988894	4	Tube (D)	
82	949216	1	Machine Screw M4×10	10					
83	949429	1	Bolt Washer M4	10					